

Integrating the Healthcare Enterprise



5

**IHE IT Infrastructure
Technical Framework**

**Volume 3
(ITI TF-3)**

10

**Cross-Transaction Specifications and Content
Specifications**

15

20

**Revision 12.1 – Final Text
September 30, 2015**

25

Please verify you have the most recent version of this document, which is published [here](#).

CONTENTS

4	Metadata used in Document Sharing profiles	7
30	4.1 Abstract Metadata Model.....	7
	4.1.1 Metadata Object Types	8
	4.1.2 Association Types.....	10
	4.1.3 Metadata Attributes	11
	4.1.3.1 The Purpose of Metadata Attributes (Informative)	12
35	4.1.3.2 DocumentEntry Metadata Attributes.....	13
	4.1.3.3 SubmissionSet Metadata Attributes	15
	4.1.3.4 Folder Metadata Attributes.....	16
	4.2 ebRIM Representation	17
	4.2.1 Metadata Object Types	19
40	4.2.1.1 DocumentEntry.....	19
	4.2.1.1.1 DocumentEntry types	20
	4.2.1.2 SubmissionSet	20
	4.2.1.2.1 Creating a SubmissionSet object from a RegistryPackage element	22
	4.2.1.3 Folder.....	23
45	4.2.1.3.1 Creating a Folder object from a RegistryPackage element.....	25
	4.2.1.4 Registry Object List.....	26
	4.2.2 Association Types.....	27
	4.2.2.1 HasMember	29
	4.2.2.1.1 SS-DE HasMember.....	29
50	4.2.2.1.2 SS-FD HasMember	31
	4.2.2.1.3 FD-DE HasMember	32
	4.2.2.1.4 SS-HM HasMember.....	33
	4.2.2.1.5 Adding DocumentEntries to Folders	34
	4.2.2.2 Document Relationship	37
55	4.2.2.2.1 APND.....	39
	4.2.2.2.2 XFRM	40
	4.2.2.2.3 RPLC.....	41
	4.2.2.2.4 XFRM_RPLC	46
	4.2.2.2.5 Signs.....	46
60	4.2.2.2.6 IsSnapshotOf.....	47
	4.2.3 Metadata Attributes	48
	4.2.3.1 General Information about Metadata Attributes.....	48
	4.2.3.1.1 Attribute Value Length	48
	4.2.3.1.2 Creating Coded Attributes	49
65	4.2.3.1.3 Creating External Identifiers.....	50
	4.2.3.1.4 Creating Author Attribute.....	51
	4.2.3.1.4.1 authorInstitution.....	54
	4.2.3.1.4.2 authorPerson	55

	4.2.3.1.4.3 authorRole.....	56
70	4.2.3.1.4.4 authorSpecialty	56
	4.2.3.1.4.5 authorTelecommunication	57
	4.2.3.1.5 UUIDs	57
	4.2.3.1.6 Extra Metadata Attributes	57
	4.2.3.1.7 Metadata Attribute Data types	58
75	4.2.3.1.8 General format of DocumentEntry, Folder and SubmissionSet attribute tables	62
	4.2.3.1.9 Metadata Attribute Cardinality	64
	4.2.3.1.10 classificationScheme vs. classificationNode	64
	4.2.3.2 DocumentEntry Attributes.....	65
80	4.2.3.2.1 DocumentEntry.author	67
	4.2.3.2.2 DocumentEntry.availabilityStatus	67
	4.2.3.2.3 DocumentEntry.classCode.....	68
	4.2.3.2.4 DocumentEntry.comments.....	69
	4.2.3.2.5 DocumentEntry.confidentialityCode	69
85	4.2.3.2.6 DocumentEntry.creationTime.....	72
	4.2.3.2.7 DocumentEntry.entryUUID.....	73
	4.2.3.2.8 DocumentEntry.eventCodeList.....	73
	4.2.3.2.9 DocumentEntry.formatCode.....	74
	4.2.3.2.10 DocumentEntry.hash.....	75
90	4.2.3.2.11 DocumentEntry.healthcareFacilityTypeCode.....	76
	4.2.3.2.12 DocumentEntry.homeCommunityId.....	77
	4.2.3.2.13 DocumentEntry.languageCode	77
	4.2.3.2.14 DocumentEntry.legalAuthenticator	78
	4.2.3.2.15 DocumentEntry.mimeType.....	78
95	4.2.3.2.16 DocumentEntry.patientId.....	79
	4.2.3.2.17 DocumentEntry.practiceSettingCode.....	80
	4.2.3.2.18 DocumentEntry.repositoryUniqueId.....	81
	4.2.3.2.19 DocumentEntry.serviceStartTime.....	81
	4.2.3.2.20 DocumentEntry.serviceStopTime.....	82
100	4.2.3.2.21 DocumentEntry.size.....	83
	4.2.3.2.22 DocumentEntry.sourcePatientId	83
	4.2.3.2.23 DocumentEntry.sourcePatientInfo.....	84
	4.2.3.2.24 DocumentEntry.title.....	85
	4.2.3.2.25 DocumentEntry.typeCode.....	85
105	4.2.3.2.26 DocumentEntry.uniqueId.....	86
	4.2.3.2.27 DocumentEntry.URI	87
	4.2.3.2.28 DocumentEntry.referenceIdList.....	87
	4.2.3.2.29 DocumentEntry.limitedMetadata.....	88
	4.2.3.2.30 DocumentEntry.objectType	89
110	4.2.3.3 SubmissionSet Attributes	89

	4.2.3.3.1	SubmissionSet.author.....	90
	4.2.3.3.2	SubmissionSet.availabilityStatus	90
	4.2.3.3.3	SubmissionSet.comments	91
	4.2.3.3.4	SubmissionSet.contentTypeCode	91
115	4.2.3.3.5	SubmissionSet.entryUUID.....	92
	4.2.3.3.6	SubmissionSet.homeCommunityId	92
	4.2.3.3.7	SubmissionSet.intendedRecipient.....	93
	4.2.3.3.8	SubmissionSet.patientId.....	94
	4.2.3.3.9	SubmissionSet.sourceId	95
120	4.2.3.3.10	SubmissionSet.submissionTime	96
	4.2.3.3.11	SubmissionSet.title.....	96
	4.2.3.3.12	SubmissionSet.uniqueId.....	97
	4.2.3.3.13	SubmissionSet.limitedMetadata.....	97
	4.2.3.4	Folder Attributes.....	98
125	4.2.3.4.1	Folder.availabilityStatus	99
	4.2.3.4.2	Folder.codeList	99
	4.2.3.4.3	Folder.comments.....	100
	4.2.3.4.4	Folder.entryUUID	101
	4.2.3.4.5	Folder.homeCommunityId.....	101
130	4.2.3.4.6	Folder.lastUpdateTime.....	101
	4.2.3.4.7	Folder.patientId.....	102
	4.2.3.4.8	Folder.title	103
	4.2.3.4.9	Folder.uniqueId.....	103
	4.2.3.4.10	Folder.limitedMetadata.....	104
135	4.2.4	Error Reporting.....	105
	4.2.4.1	RegistryErrors Element	105
	4.2.4.2	Error responses	109
	4.2.5	Metadata Vocabulary.....	111
	4.2.5.1	Submission Set Object UUIDs	111
140	4.2.5.2	Document Entry Object.....	111
	4.2.5.3	Folder Object	112
	4.3	Additional Document Sharing Requirements	112
	4.3.1	Requirements on Submission Type Transactions.....	112
	4.3.1.1	Submission Metadata Attribute Optionality.....	113
145	4.3.1.2	XDS Specific Requirements.....	115
	4.3.1.2.1	Provide and Register Document Set-b Transaction [ITI-41].....	116
	4.3.1.2.2	Register Document Set-b Transaction [ITI-42]	116
	4.3.1.2.3	XDS Atomicity of Submissions.....	117
	4.3.1.2.4	XDS Registry Enforcement of Attributes	118
150	4.3.1.2.5	XDS Registry Responsibilities	120
	4.3.1.2.6	Required Initialization of the XDS Affinity Domain	123
	4.3.2	Requirements on Query Type Transactions	123

	4.3.2.1 Query Type Metadata Attribute Optionality	123
5	IHE Content Specifications.....	126
155	5.1 Basic Patient Privacy Consents Module	126
	5.1.1 References	126
	5.1.2 Patient Privacy Consent Acknowledgment Document Specification	
	1.3.6.1.4.1.19376.1.5.3.1.1.7 – With no Scanned Document Part.....	126
	5.1.2.1 XDS Metadata	126
160	5.1.2.1.1 XDS DocumentEntry Metadata	126
	5.1.2.1.1.1 XDSDocumentEntry.classCode.....	126
	5.1.2.1.1.2 XDSDocumentEntry.eventCodeList.....	126
	5.1.2.1.1.3 XDSDocumentEntry.formatCode.....	127
	5.1.2.1.1.4 XDSDocumentEntry.uniqueId.....	127
165	5.1.2.1.2 XDS SubmissionSet Metadata.....	127
	5.1.2.1.3 XDS Folder Metadata	127
	5.1.2.2 Specification	127
	5.1.2.2.1 Patient Privacy Acknowledgement Service Events	
	1.3.6.1.4.1.19376.1.5.3.1.2.6.....	128
170	5.1.2.2.2 <documentationOf typeCode='DOC'>	129
	5.1.2.2.3 <serviceEvent classCode='ACT' moodCode='EVN'>.....	129
	5.1.2.2.4 <templateId root='1.3.6.1.4.1.19376.1.5.3.1.2.6'>	129
	5.1.2.2.5 <id root=' ' />	129
	5.1.2.2.6 <code code=' ' displayName=' ' codeSystem=' ' codeSystemName=' ' />..	129
175	5.1.2.2.7 <effectiveTime><low value=' ' /><high value=' ' /></effectiveTime>	129
	5.1.3 Patient Privacy Consent Acknowledgment Document Specification	
	1.3.6.1.4.1.19376.1.5.3.1.1.7.1 – With Scanned Document	130
	5.1.3.1 XDS Metadata	130
	5.1.3.1.1 XDS DocumentEntry Metadata	130
180	5.1.3.1.1.1 XDSDocumentEntry.formatCode.....	130
	5.1.3.1.2 XDS SubmissionSet Metadata.....	130
	5.1.3.1.3 XDS Folder Metadata	130
	5.1.3.2 Specification	130
	5.1.3.3 Conformance	130
185	5.2 Scanned Documents Content Module.....	130
	5.2.1 Referenced Standards	131
	5.2.1.1 Discussion of Content Standards.....	131
	5.2.2 XDS Metadata	132
	5.2.2.1 XDS DocumentEntry Metadata.....	132
190	5.2.2.1.1 XDSDocumentEntry.formatCode.....	133
	5.2.2.1.2 XDSDocumentEntry.uniqueId.....	133
	5.2.2.1.3 Relating instances of XDS-SD documents.....	133
	5.2.2.2 XDS SubmissionSet Metadata	133
	5.2.2.3 XDS Folder Metadata.....	133

195	5.2.3 Specification.....	134
	5.2.3.1 ClinicalDocument child-less elements	135
	5.2.3.2 ClinicalDocument/recordTarget	136
	5.2.3.3 ClinicalDocument/author (original)	137
	5.2.3.4 ClinicalDocument/author (scanner).....	138
200	5.2.3.5 ClinicalDocument/dataEnterer	140
	5.2.3.6 ClinicalDocument/custodian	141
	5.2.3.7 ClinicalDocument/legalAuthenticator	142
	5.2.3.8 ClinicalDocument/documentationOf.....	143
	5.2.3.9 ClinicalDocument/component/nonXMLBody	143
205	5.2.4 Complete Example (Wrapped PDF)	146
	5.4 XDW Workflow Content Module	149
	5.4.1 Referenced Standards.....	149
	5.4.2 Discussion of Content Standards.....	149
	5.4.2.1 XDW Workflow Document Elements from HL7 CDA Standard.....	152
210	5.4.2.2 XDW Workflow Document Elements defined by IHE XDW Profile	152
	5.4.2.3 XDW Workflow Document Elements from the OASIS Human Task.....	153
	5.4.2.4 Relationship between Task and <taskEvent>.....	154
	5.4.3 Content Specification	156
	5.4.4 Complete Example	169
215	5.4.5 Workflow Document Management.....	173
	5.4.5.1 Workflow Document Lifecycle Management	173
	5.4.5.2 Associations Types.....	174
	5.4.5.3 Create workflow	175
	5.4.5.4 Update Workflow Document	175
220	5.4.5.5 Association of a clinical document to a task and <taskEvent>	176
	5.4.5.6 Get the Workflow Document and a clinical document associated to the workflow.....	176
	5.4.5.7 Use of the eventCodeList to manage the status of a Workflow Document.....	176
	5.4.5.8 Parameters for Required Queries.....	177
225	5.4.6 XDS Metadata	177
	5.4.6.1 Document Metadata.....	177
	5.4.6.2 XDS SubmissionSet Metadata	179
	5.4.6.3 XDS Folder Metadata.....	179

230 4 Metadata used in Document Sharing profiles

This section describes the metadata that is used in IHE profiles designed for sharing documents (Document Sharing profiles). The Document Sharing profiles are implementing the Document Sharing concept outlined in the ITI whitepaper entitled *Health Information Exchange: Enabling Document Sharing Using IHE Profiles* available on the IHE website

235 (http://ihe.net/Technical_Frameworks/#IT). This section assumes understanding of the concepts presented in the white paper.

The ITI Document Sharing profiles which use this metadata are:

- Cross-Enterprise Document Sharing (XDS.b)
- Cross-Enterprise Document Reliable Interchange (XDR)
- 240 • Cross-Enterprise Document Media Interchange (XDM)
- Multi-Patient Queries (MPQ)
- Cross-Community Access (XCA)

It is likely that future ITI profiles will also use Document Sharing metadata. Profiles from IHE domains other than ITI that use or constrain this metadata are not listed here. Those profiles will document their use of this metadata.

Document Sharing profiles manage two aspects of the documents being shared, the metadata about the document and the contents of the document. If you think of a document as a book in a library, the index card in the library's card catalog is the document metadata.

Metadata encodes the properties of documents, the environments they come from, circumstances of their submission, terms to reference in queries, and grouping with other documents.

250 Section 4 first explains the metadata at a conceptual level (Section 4.1), then at an implementation level (Section 4.2) and then provides some profile- and transaction-specific metadata constraints and considerations (Section 4.3).

4.1 Abstract Metadata Model

255 The metadata used in Document Sharing profiles is characterized by three types of objects and two types of Associations. In Figure 4.1-1, the three objects types and two Association types are depicted using UML to show their relationships. The three object types are:

- SubmissionSet – represents a collection of Folders, Documents and Associations submitted together.
- 260 • Folder – represents a collection of related Documents.
- DocumentEntry – represents a Document.
- The two Association types are:

HL7, HEALTH LEVEL SEVEN and CDA are the registered trademarks of Health Level Seven International.
--

265

- HasMember – represents membership of objects. There are four variations of HasMember that are described in Section 4.1.2.
- Relationship – represents a relationship between DocumentEntries.

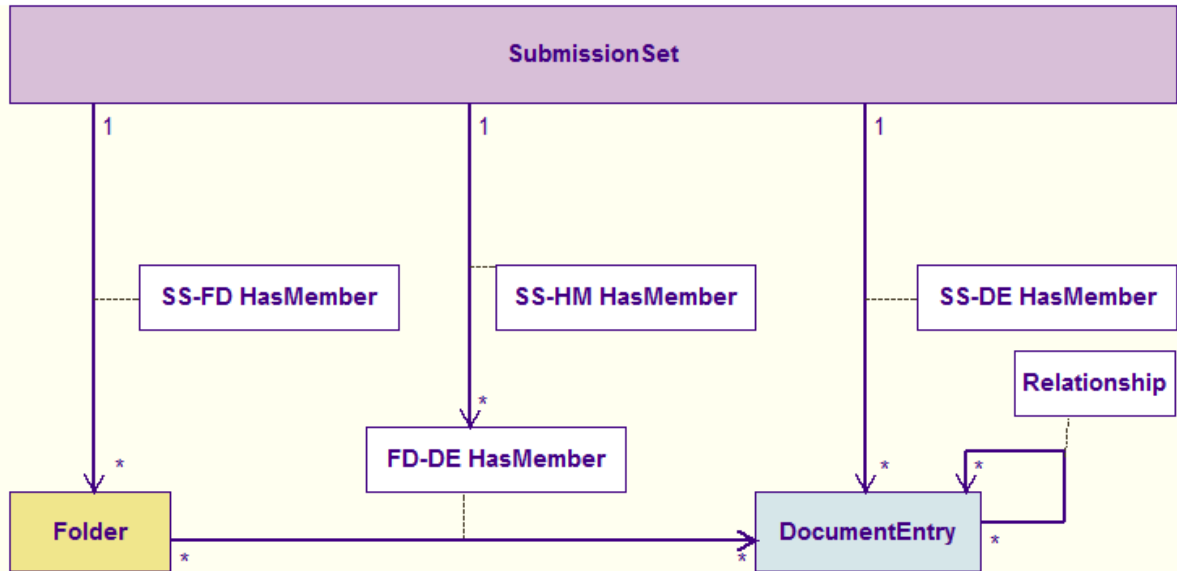


Figure 4.1-1: Document Sharing Objects and Associations

4.1.1 Metadata Object Types

270

There are three metadata object types supported by the Document Sharing metadata, as seen in Figure 4.1-1:

- SubmissionSet
- Folder
- DocumentEntry

275

SubmissionSet – The SubmissionSet can be thought of as the packing slip of a postal package. The details of the submission of DocumentEntries, Folders, and Associations are captured in the SubmissionSet object. The creating entity of each submission must group the DocumentEntries, Folders and Associations into a unique SubmissionSet. The Document Sharing profiles ensure that the documents are treated as a unit for submission purposes – either all of the documents arrive at their destination, or none of them do. An example of the use of a Submission Set is packaging all documents related to a care episode at the end of the hospital stay. The EHR system can submit the package. If the submission fails, none of the documents made it to their destination, and a retry is possible.

280

Submission Sets, once submitted, are immutable.

285 DocumentEntries may be bundled into a SubmissionSet by a human, machine, or process. For example, a laboratory machine might automatically submit results associated with a given lab order when they are ready, rather than waiting for a human to bundle them. SubmissionSets may contain DocumentEntries for multiple patients, but there are specific limitations on how this is done.

290 A SubmissionSet shall be the source of at least one Association of type SS-FD HasMember, SS-HM HasMember, and/or SS-DE HasMember.

Folder – A Folder is a logical collection of DocumentEntries that are related in some way, such as to a clinical use case. A Folder is an arbitrary grouping relationship. Folders may be updated by multiple SubmissionSets sent from multiples departments that are submitting their DocumentEntry objects at different times. For example, a Folder may be used to collect the
295 DocumentEntry objects for the patient’s documents that relate to an exam event, such as the exam request and prior results as well as the eventual exam results. As the exam results become available, the DocumentEntry objects can be added to the Folder for the exam records.

All DocumentEntries in a Folder shall be for the same patient.

300 The metadata structure discussed in this volume only specifies how to describe a Folder, and imposes no requirements for when or how a Folder should be used. Additional detail on when and how to use a Folder may be described in IHE profiles.

DocumentEntry – DocumentEntry is a metadata object representing a document. This metadata object does not contain the contents of the document; instead it contains attributes describing the document.

305 Details on how documents and metadata are managed depend on the requirements in a particular Document Sharing Profile.

310 For example, in XDS, a Stable DocumentEntry is the logical representation in the Registry of the Document that the Source submitted to a Repository. An entire document’s contents can constitute several megabytes, but can be described in a few kilobytes of metadata. The DocumentEntry metadata that describes the document are sufficient for the purposes of storing, organizing and locating documents for retrieval. Submitting a Stable DocumentEntry to a Registry in lieu of submitting the document creates a separation of concerns, allowing the Registry to specialize in indexing, while the Repository manages document storage.

315 There are two DocumentEntry Types: Stable DocumentEntry and On-Demand Document Entry. The following sections describe these types in detail.

- **Stable DocumentEntry**

320 A Stable Document Entry contains metadata about an already created document available for retrieval. Each Stable DocumentEntry represents a single document. This document is stable because the contents have been effectively combined in the exact representation that will be returned in a Retrieve Document Set. A Stable Document Entry is an XSDocument Entry with objectType equal to the UUID for Stable (see Section 4.2.5.2

for the UUID) and availabilityStatus equal to Approved or Deprecated. All metadata fields contain valid values.

325 The uniqueID metadata attribute of a Stable DocumentEntry identifies the specific document associated with the entry. It is used in a retrieve request to identify which specific document should be retrieved.

If the document returned on a retrieve request is CDA, it will have in the ClinicalDocument/id field in the HL7 CDA R2 document header the same value as the value of the DocumentEntry uniqueId.

330 • **On-Demand Document Entry**

335 An On-Demand Document Entry provides a unique identifier which can be used to create an on-demand document which collects the latest, most recent available information at the time of retrieval. On-Demand Document Entries never reflect actual document content, but rather the potential for a document with the characteristics described in the metadata of the entry. An On-Demand DocumentEntry has objectType equal to the UUID for On-Demand (see Section 4.2.5.2 for the UUID) and availabilityStatus equal to Approved or Deprecated. An On-Demand Document Entry may be replaced and deprecated. If an On-Demand Document Entry is deprecated, the retrieval of that uniqueID may not have the most recent information and should return an error.

340 The uniqueID associated with an On-Demand Document Entry will never represent an actual document. A retrieve request specifying an On-Demand Document Entry uniqueID will return content identified by a uniqueID different than the specified uniqueID.

345 Every On-Demand Document Entry with the same uniqueID will refer to the same potential content. Actual content depends on the time of retrieval. The On-Demand Document Entry uniqueID is valid for as long as the entry has availabilityStatus equal to Approved. The holder of the uniqueID may re-use it in a retrieve request to get the latest information, without the need for an additional query.

350 When a retrieve request is received specifying an On-Demand Document Entry uniqueID, the responder may choose to persist the document generated as a result and allow the requestor future access to the metadata and document. This capability is declared through the Persistence of Retrieved Documents Option on the On-Demand Document Source and Responding Gateway Actors. The persistence refers not only to the saving of the content for re-use, but more specifically, to the ability of the requester to use retrieve to access that exact, possibly now historic, content and use a query to get metadata about the content.

355

4.1.2 Association Types

Associations represent a link from the source object to a target object. Association objects describe all aspects of this link including references to source and target objects, the specific variant or name of the Association, and status and version information.

HL7, HEALTH LEVEL SEVEN and CDA are the registered trademarks of Health Level Seven International.
--

360 There are two types of Associations: HasMember and Relationship.

- **HasMember**- defines a membership relationship between two objects. There are four variants of the HasMember Association depending on the types of the source and target object, see Figure 4.1-1.

365 SS-FD HasMember: An association from a SubmissionSet to a Folder identifies the Folder as a member of that SubmissionSet. It identifies the Submission Set that contained the initial creation of the Folder.

370 FD-DE HasMember: An association from a Folder to a DocumentEntry identifies that DocumentEntry as a member of that Folder. Folders have a many-to-many relationship to DocumentEntries (i.e., one folder may be linked to many DocumentEntries, and one DocumentEntry may be linked to many folders).

SS-HM HasMember: An association from a SubmissionSet to a FD-DE HasMember Association identifies that FD-DE HasMember as a member of that SubmissionSet. This makes it possible to identify the Submission Set in which the link between the Folder and the DocumentEntry was created.

375 SS-DE HasMember: An association from a SubmissionSet to a DocumentEntry identifies the DocumentEntry as a member of that SubmissionSet. The association between the SubmissionSet and the DocumentEntry provides information about the submission of the Documents. With this association of a DocumentEntry, you can find the Submission Set and know when the document was submitted, who the author of the submission was, and other information contained in the attributes of that SubmissionSet.

- **Relationship** – defines an association between two DocumentEntry objects. There are five variants based on the type of relationship between the DocumentEntry objects.
 - Replace – indicates the replacement of a previous document with a new document.
 - 385 Transform - indicates the transformation of a previous document into a new document.
 - Append – indicates a new document that appends to the contents of a previous document.
 - Transform and Replace – indicates a transformed replacement of a previous document with a new document.
 - 390 Signs – indicates a new document is a signature for a previous document, as in new document signs previous document.

4.1.3 Metadata Attributes

Each metadata object holds attributes used for a variety of purposes. This section outlines the variety of purposes metadata attributes serve as well as a general description of each attribute. Detail about the coding of attributes is described in Section 4.2.3.

395 **4.1.3.1 The Purpose of Metadata Attributes (Informative)**

Metadata attributes can be categorized according to specific document-handling purposes. Each metadata attribute typically has more than one purpose, although some have only one. Metadata in the Document Sharing profiles has one or more of these purposes.

- 400 • **Patient Identity** – Attributes that describe the subject of the document. This includes patient Id, patient name, and other demographics.
- **Provenance** – Attributes that describe where the document comes from. These items are highly influenced by medical records regulations. This includes human author, identification of system that authored, the organization that authored, predecessor documents, successor documents, and the pathway that the document took.
- 405 • **Security & Privacy** – Attributes that are used by Privacy and Security rules to appropriately control the document. These values enable conformance to Privacy and Security regulations. These characteristics would be those referenced in Privacy or Security rules. These characteristics would also be used to protect against security risks to confidentiality, integrity, and availability.
- 410 • **Descriptive** – Attributes that are used to describe the clinical value, so they are expressly healthcare-specific. These values are critical for query models and enable workflows in all exchange models. The number of attributes in this category is kept to minimum so the metadata doesn't simply duplicate the document, and to keep disclosure risk to a minimum. Thus the metadata attribute values tend to be from a small set of codes.
- 415 Because this category is close to the clinical values it tends to have few mandatory attributes, allowing policy to choose to not populate. For healthcare documents, this is typically very closely associated with the clinical workflows but also must recognize other uses of healthcare documents such as quality reporting, public health reporting, authorized clinical research, patient access, etc.
- 420 • **Object Lifecycle** – Attributes that describe the current lifecycle state of the document including relationships to other documents. This would include classic lifecycle states of created, published, replaced, transformed, and deprecated.
- **Exchange --** Attributes that enable the transfer of the document for both push type transfers, and pull type transfers. These attributes are used for low-level automated processing of the document. These attributes are not the workflow routing, but rather the administrative overhead necessary to make the transfer. This includes the document unique Id, location, size, MIME types, and document format.
- 425

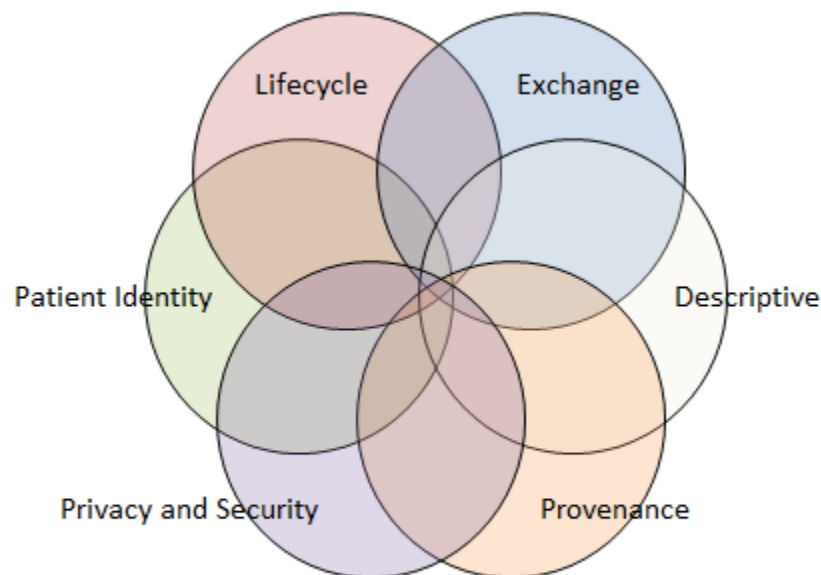


Figure 4.1.3.1-1: Pictorial of Overlapping Document Sharing Metadata Purpose

430

All metadata attributes describe the document and are not a replacement for the document. Not all metadata attributes are always required; indeed some metadata attributes would be used only for specific uses. Care has been taken to limit the metadata to the minimum metadata attributes necessary to achieve the goal. Each metadata element was assessed for risks posed by exposing it as metadata. All metadata attributes are defined to assure that when the element is needed that it be consistently assigned and processed.

435

4.1.3.2 DocumentEntry Metadata Attributes

Table 4.1.3.2-1 provides a conceptual view of the metadata attributes associated with a DocumentEntry object. The table describes each attribute and provides a mapping between the attribute and the purposes that attribute is designed to support. The full DocumentEntry metadata attribute definition, including data type and coding is in Section 4.2.3.2.

440

Table 4.1.3.2-1: DocumentEntry Metadata Attribute Definition

DocumentEntry Metadata Attribute	Description	Patient Identity	Provenance	Security & Privacy	Descriptive	Object Lifecycle	Exchange
author	Characterizes the humans and/or machines that authored the document. This attribute contains the sub-attributes: authorInstitution, authorPerson, authorRole, authorSpecialty and authorTelecommunication.		X	X	X		X
availabilityStatus	Characterizes the lifecycle status of the DocumentEntry					X	
classCode	A high-level classification of documents that indicates the kind of document, e.g., report, summary, note, consent.			X	X		
comments	Comments associated with the document.				X		
confidentialityCode	The code specifying the level of confidentiality of the document.			X			
creationTime	Characterizes the time the author created the document.		X	X	X	X	
entryUUID	A globally unique identifier used to manage the entry.			X	X	X	X
eventCodeList	This list of codes represents the main clinical acts, such as a colonoscopy or an appendectomy, being documented.				X		
formatCode	Code globally uniquely specifying the detailed technical format of the document.				X		X
hash	Hash of the document itself.			X			
healthcareFacility TypeCode	This code represents the type of organizational setting of the clinical encounter during which the documented act occurred.		X	X	X		
homeCommunityId	A globally unique identifier for a community.						X
languageCode	Specifies the human language of character data in the document.				X		
legalAuthenticator	Characterizes a participant who has legally authenticated or attested the document within the authorInstitution.		X	X		X	
limitedMetadata	Indicates whether the Document Entry was created using the less rigorous requirements of metadata as defined for the Metadata-Limited Document Source.		X		X	X	X
mimeType	MIME type of the document.				X		X
objectType	The type of DocumentEntry						X
patientId	The patientId represents the subject of care of the	X		X	X		

HL7, HEALTH LEVEL SEVEN and CDA are the registered trademarks of Health Level Seven International.

DocumentEntry Metadata Attribute	Description	Patient identity	Provenance	Security & Privacy	Descriptive	Object Lifecycle	Exchange
	document.						
practiceSettingCode	The code specifying the clinical specialty where the act that resulted in the document was performed (e.g., Family Practice, Laboratory, Radiology).		X	X	X		
repositoryUniqueId	The globally unique identifier of the repository where the document is stored.						X
serviceStartTime	Represents the start time the service being documented took place.			X	X		
serviceStopTime	Represents the stop time the service being documented took place.			X	X		
size	Size in bytes of the document.			X			X
sourcePatientId	The sourcePatientId represents the subject of care medical record Identifier (e.g., Patient Id) in the local patient Identifier Domain of the creating entity.	X	X				
sourcePatientInfo	This attribute contains demographic information of the source patient to whose medical record this document belongs.	X	X				
title	Represents the title of the document.				X		
typeCode	A low-level classification of documents within a classCode that describes class, event, specialty, and setting.				X		
uniqueId	The globally unique identifier assigned by the document creator to this document.			X			X
URI	The URI for the document.						X

4.1.3.3 SubmissionSet Metadata Attributes

445 Table 4.1.3.3-1 provides a conceptual view of the metadata attributes associated with a SubmissionSet object. The table describes each attribute and provides a mapping between the attribute and the purposes that attribute is designed to support. The full SubmissionSet metadata attribute definition, including data type and coding is in Section 4.2.3.3.

450

Table 4.1.3.3-1: SubmissionSet Metadata Attribute Definition

Submission Set Metadata Attribute	Description	Patient Identity	Provenance	Security & Privacy	Descriptive	Object Lifecycle	Exchange
author	The humans and/or machines that created the submission set. This attribute contains the sub-attributes: authorInstitution, authorPerson, authorRole, authorSpecialty, authorTelecommunication.		X	X	X		
availabilityStatus	The lifecycle status of the SubmissionSet				X	X	
comments	Comments associated with the SubmissionSet.				X		
contentTypeCode	The code specifying the type of clinical activity that resulted in placing these documents in this SubmissionSet.		X	X	X		
entryUUID	A globally unique identifier used to manage the entry.			X	X		X
homeCommunityId	A globally unique identifier for a community.						X
intendedRecipient	The organization(s) or person(s) for whom the Submission Set is intended.			X			X
patientId	The patientId represents the primary subject of care whose longitudinal record is being reflected in this Submission Set.	X		X	X		
sourceId	Identifier of the Document Source that created the SubmissionSet.		X	X	X		
submissionTime	Point in Time at the Document Source when the Submission Set was created.			X	X	X	
title	The title of the SubmissionSet.				X		
uniqueId	Globally unique identifier for the SubmissionSet assigned by the Document Source.			X			X

4.1.3.4 Folder Metadata Attributes

Table 4.1.3.4-1 provides a conceptual view of the metadata attributes associated with a Folder object. The table describes each attribute and provides a mapping between the attribute and the purposes that attribute is designed to support. The full Folder metadata attribute definition, including data type and coding is in Section 4.2.3.4.

455

Table 4.1.3.4-1: Folder Metadata Attribute Definition

Folder Metadata Attribute	Description	Patient Identity	Provenance	Security & Privacy	Descriptive	Object Lifecycle	Exchange
availabilityStatus	The lifecycle status of the Folder				X	X	
codeList	The set of codes specifying the type of clinical activities that resulted in placing documents in this Folder.		X	X	X		
comments	Comments associated with the Folder.				X		
entryUUID	A globally unique identifier used to manage the entry.			X	X		X
homeCommunityId	A globally unique identifier for a community.						X
lastUpdateTime	Most recent point in time that the Folder has been modified.					X	
patientId	The patientId represents the subject of care of documents within the Folder.	X		X	X		
title	The name of the Folder.				X		
uniqueId	Globally unique identifier for the Folder.			X			X

4.2 ebRIM Representation

460 This section details the representation of the metadata objects and their attributes using classes provided by OASIS ebXML RegRep 3.0 specification at <http://docs.oasis-open.org/regrep/v3.0/regrep-3.0-os.zip>.

465 The Electronic Business using eXtensible Markup Language (ebXML) Registry and Repository (RegRep) specification describes a way to implement registry and repository servers and clients using standard interfaces, protocols and an information model for publishing, management, discovery and retrieval of arbitrary content and metadata that describes it.

The ebXML RegRep specification is made of two parts:

- **ebRIM:** The "ebXML Registry Information Model version 3.0" (ebRIM) defines the types of metadata and content that can be stored in an ebXML Registry.
 - **ebRS:** The "ebXML Registry Services Specification version 3.0" (ebRS) defines the services and protocols for an ebXML Registry.
- 470

IHE highly constrains the use of ebRIM and ebRS in Document Sharing profiles to fit the requirements for expression of metadata objects and to communicate the objects between actors. This section focuses on expression of the objects, and IHE transactions and profiles detail the communication.

HL7, HEALTH LEVEL SEVEN and CDA are the registered trademarks of Health Level Seven International.

475 When document sharing was first introduced in IHE, XDS was the only document sharing model. In the initial XDS Profile, the Document Registry could be implemented as an adaptor to an ebXML Registry. As such, all XDS content is valid in terms of the ebRIM, but XDS introduces additional restrictions on the data that may be transmitted. Only a limited number of the classes in ebRIM are supported by XDS and the contents and semantics of those classes are further restricted. While an XDS Registry may be implemented as an adaptor to an ebXML Registry, or without an underlying ebXML Registry, it should not be assumed that features available from a pure ebXML Registry are available in an IHE environment. Features of an ebXML Registry should be considered as not available unless they are explicitly defined by individual IHE profiles.

485 Now that document sharing in IHE has grown beyond the XDS model, Document Sharing metadata applies to profiles beyond XDS. In those other environments, it is highly unlikely to be implemented using an ebXML Registry.

490 IHE excludes the requirements found in ebRIM 3.0 Section 2.5.9 which state that "each RegistryObject instance MUST have a life cycle status indicator." For some RegistryObjects the life cycle status indicator is required by IHE, and this requirement is stated within IHE's description of use of the object. For other objects, where a requirement is not explicitly stated by IHE, the life cycle status indicator is optional.

495 IHE Technical Framework documentation conventionally refers to the ebRIM namespace using the "rim:" prefix, for example rim:ExtrinsicObject, rim:RegistryPackage, rim:Slot, rim:Classification, etc.

Table 4.2-1: ebRIM/Document Sharing Correspondence

Document Sharing Object/Association	ebRIM class
DocumentEntry	rim:ExtrinsicObject
SubmissionSet	rim:RegistryPackage
Folder	
MemberOf	rim:Association
Relationship	

The DocumentEntry object type is modeled through the rim:ExtrinsicObject class.

500 The SubmissionSet and Folder object types are conveyed through the rim:RegistryPackage class. Since the ebRIM standard does not allow for subclassing the RegistryPackage class, these two objects are implemented as rim:RegistryPackages. A rim:Classification is used to distinguish between the SubmissionSet and Folder object types.

505 The HasMember and Relationship Association concepts are conveyed through the rim:Association class.

HL7, HEALTH LEVEL SEVEN and CDA are the registered trademarks of Health Level Seven International.

4.2.1 Metadata Object Types

4.2.1.1 DocumentEntry

510 The DocumentEntry does not contain the contents of the document; instead it contains attributes describing the document. Further details regarding the DocumentEntry object type can be found in Section 4.1.1.

Figure 4.2.1.1-1 represents the DocumentEntry and its attributes. Detailed descriptions of all the attributes of a DocumentEntry are described in Section 4.2.3.2.

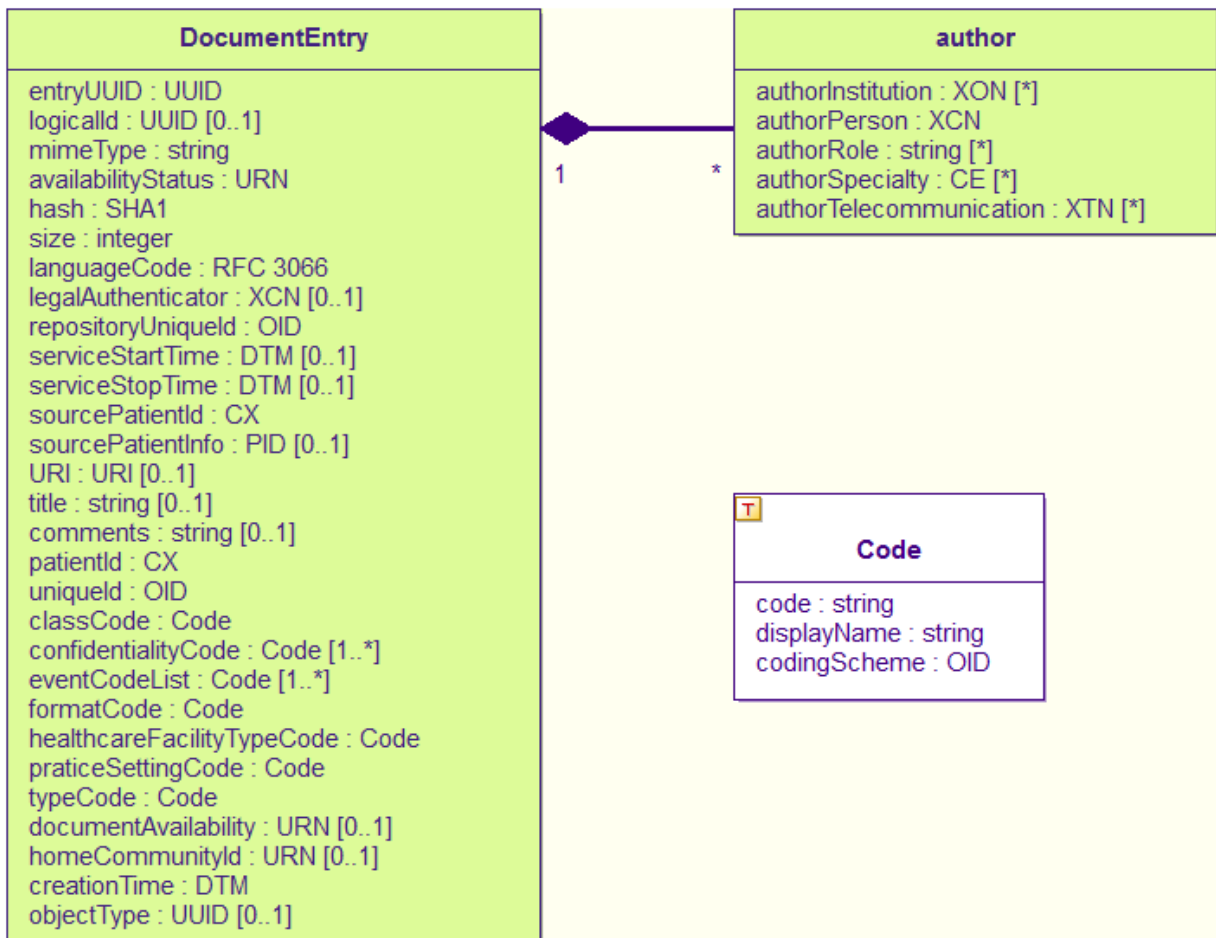


Figure 4.2.1.1-1: DocumentEntry Metadata Attributes (Informative)

515

The abstract concept of a DocumentEntry is expressed through an ebRIM RegistryPackage classified as a DocumentEntry.

HL7, HEALTH LEVEL SEVEN and CDA are the registered trademarks of Health Level Seven International.

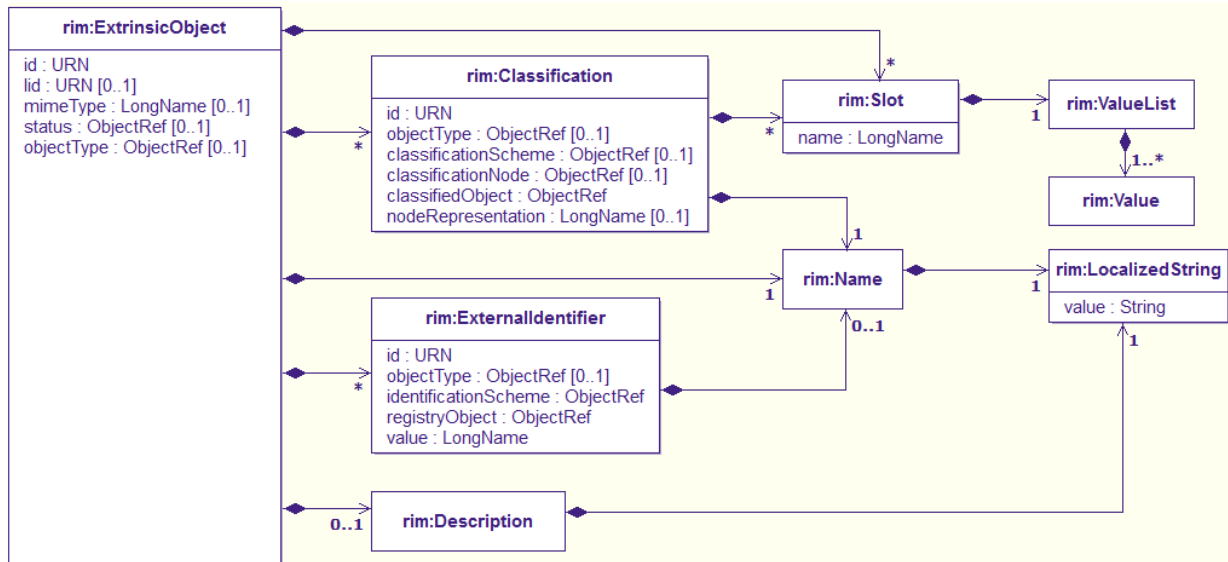


Figure 4.2.1.1-2: UML diagram for rim:ExtrinsicObject (Informative)

520

Figure 4.2.1.1-2 represents rim:ExtrinsicObject as a structure made of classes and attributes of the ebRIM subset used for Document Sharing. This diagram is read from left to right and rim:ExtrinsicObject is considered as the root class.

525

The expression of the DocumentEntry is done by mapping the abstract DocumentEntry metadata attributes into rim:ExtrinsicObject class attributes, elements and other associated classes. This mapping uses, wherever possible, the parts of rim:ExtrinsicObject as intended (such as Name, Description and ExternalIdentifier), and holds the healthcare specific attributes in general purpose Slots or Classifications.

530

Requirements for matching SubmissionSet.patientId to included or referenced DocumentEntries' patientId are detailed in Section 4.2.2.1.1.

4.2.1.1.1 DocumentEntry types

535

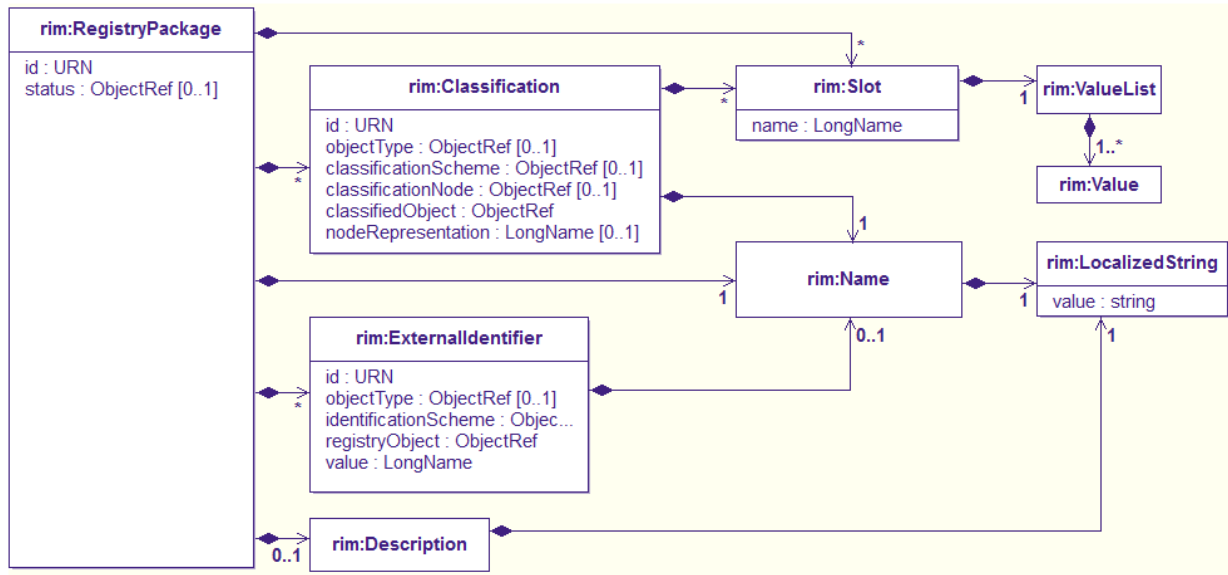
As described in Section 4.1.1, there are two DocumentEntry types: Stable Document Entry and On-Demand Document Entry. A Stable Document Entry is an XDSDocument Entry with objectType equal to the UUID for Stable (see Section 4.2.5.2 for the UUID). An On-Demand DocumentEntry has an objectType equal to the UUID for on-demand (see Section 4.2.5.2 for the UUID). Each Stable DocumentEntry represents a single document which is identified by the uniqueId attribute.

4.2.1.2 SubmissionSet

540

The abstract concept of a SubmissionSet is expressed through an ebRIM RegistryPackage classified as a SubmissionSet. The SubmissionSet bundles DocumentEntry, Folder and

Association objects for submission. Further details regarding the SubmissionSet object type can be found in Section 4.1.1.



545

Figure 4.2.1.2-1: UML diagram for SubmissionSet (Informative)

This expression is done by mapping the abstract SubmissionSet metadata attributes into, wherever possible, the parts of RegistryPackage as intended and holding the healthcare-specific attributes in general-purpose Slots and Classification. An eBRIM Classification class is used to identify a RegistryPackage as a SubmissionSet versus a Folder.

550

A SubmissionSet has a set of attributes that are described in Section 4.1.3.3 SubmissionSet Metadata.

SubmissionSets exist for two reasons:

555

1. To support atomic submissions
2. To provide a permanent record of:
 - the existence and status of the submission
 - the Folders and DocumentEntry objects and Associations included in the submission

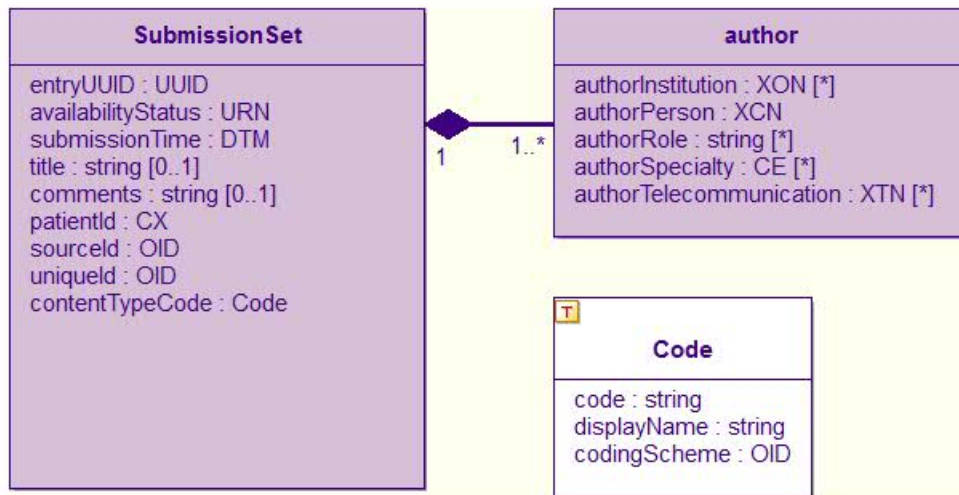


Figure 4.2.1.2-2: SubmissionSet Metadata Attributes (Informative)

560

The value of the patientId attribute of the DocumentEntry objects that a SubmissionSet contains shall match the value of the patientId attribute on the SubmissionSet itself.

Requirements for matching the value of SubmissionSet.patientId to the value of Patient Id in referenced DocumentEntry objects are detailed in Section 4.2.2.1.1.

565

Immutability of Submission Sets: Submission Sets are immutable; that is, after they are submitted, they can never be changed. No associations to or from the submission set can be created later on.

4.2.1.2.1 Creating a SubmissionSet object from a RegistryPackage element

570

A SubmissionSet object shall be created from a RegistryPackage element by labeling it with a Classification of type urn:uuid:a54d6aa5-d40d-43f9-88c5-b4633d873bdd. A receiver of metadata shall accept the Classification element encoded within the RegistryPackage element or on the same level as the RegistryPackage. The following XML example demonstrates these two valid approaches to encoding the Classification.

Classification encoded inside the RegistryPackage object

```

575 <RegistryPackage id="SubmissionSetId">
    <rim:Classification
      classifiedObject="SubmissionSetId"
      classificationNode="urn:uuid:a54d6aa5-d40d-43f9-88c5-b4633d873bdd"
580 id="urn:uuid:1d4d08bc-85cc-4596-8fdc-4b5410a6feae"
      objectType="urn:oasis:names:tc:ebxml-
        regrep:ObjectType:RegistryObject:Classification"
    />
  </RegistryPackage>

```

585 **Classification encoded outside the RegistryPackage object**

```

    <RegistryPackage id="SubmissionSetId">
    </RegistryPackage>
    <rim:Classification
      classifiedObject="SubmissionSetId"
590 classificationNode="urn:uuid:a54d6aa5-d40d-43f9-88c5-b4633d873bdd"
      id="urn:uuid:1d4d08bc-85cc-4596-8fdc-4b5410a6feae"
      objectType="urn:oasis:names:tc:ebxml-
        regrep:ObjectType:RegistryObject:Classification"
    />

```

595

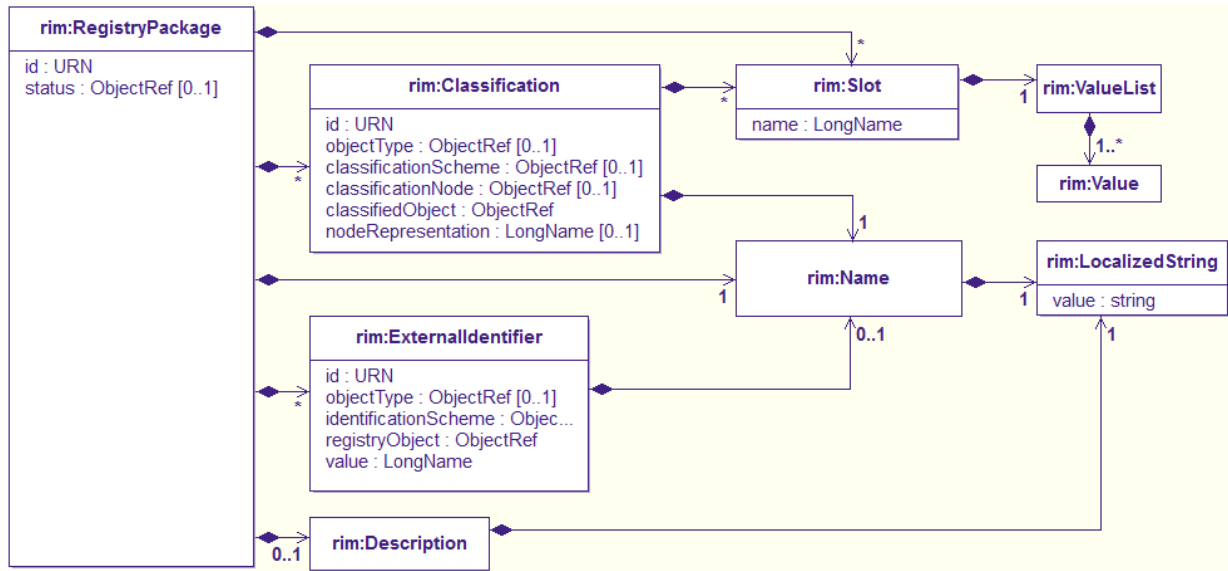
Item	Description
Classification/@classifiedObject	The @id attribute of the RegistryPackage being classified.
Classification/@classificationNode	A fixed value identifying the type of object the RegistryPackage represents. Accepted values: urn:uuid:a54d6aa5-d40d-43f9-88c5-b4633d873bdd
Classification/@id	Symbolic id or UUID identifying this Classification. See Section 4.2.3.1.5 for details.
Classification/@objectType	Fixed value as specified by ebRIM. Optional upon submission of objects, required upon retrieval. If set, must be "urn:oasis:names:tc:ebxml-regrep:ObjectType:RegistryObject:Classification".

This Classification shall not contain other Slot, Name, Description, Classification, or External Identifier elements except as described above.

4.2.1.3 Folder

600 The abstract concept of a Folder is expressed through an ebRIM RegistryPackage classified as Folder (see the UML representation of the ebRIM RegistryPackage, Figure 4.2.1.2-1). A Folder is used to bundle DocumentEntry objects. Further details regarding the Folder object type can be found in Section 4.1.1.

HL7, HEALTH LEVEL SEVEN and CDA are the registered trademarks of Health Level Seven International.



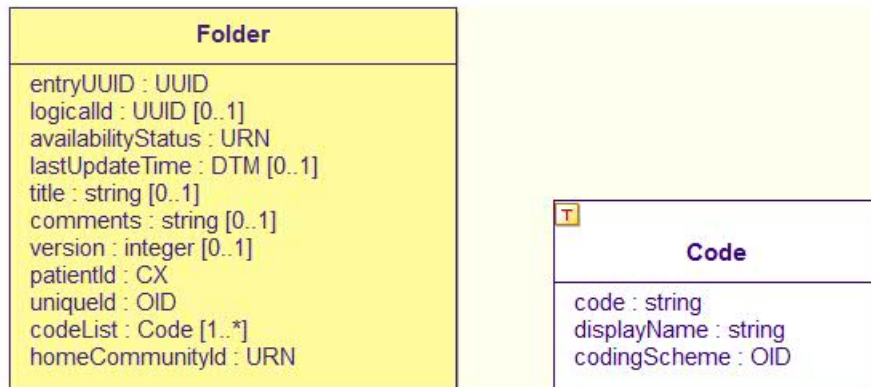
605

Figure 4.2.1.3-1: UML diagram for Folder (Informative)

This expression is done by mapping the abstract Folder metadata attributes into, wherever possible, the parts of RegistryPackage as intended, and holds the healthcare-specific attributes in general purpose Slots and Classifications. An eBRIM Classification class is used to identify a RegistryPackage as a Folder versus a SubmissionSet.

610

Folders shall not be nested inside other Folders. The value of the patientId attribute of the DocumentEntry objects it contains shall match the value of the patientId attribute on the folder itself.



615

Figure 4.2.1.3-2: Folder Metadata Attributes (Informative)

4.2.1.3.1 Creating a Folder object from a RegistryPackage element

620 A Folder object shall be created from a RegistryPackage element by labeling it with a Classification of type urn:uuid:d9d542f3-6cc4-48b6-8870-ea235fbc94c2. A receiver of metadata shall accept the Classification element encoded within the RegistryPackage element or on the same level. The following XML example demonstrates these two valid approaches to encoding the Classification.

Classification encoded inside the RegistryPackage object

```

625 <...>
<RegistryPackage id="Fol">
<!-- Classify registry package Fol as being a Folder -->
<Classification
630   classificationNode="urn:uuid:d9d542f3-6cc4-48b6-8870-ea235fbc94c2"
   classifiedObject="Fol"
   id="IdExample_066"
   objectType="urn:oasis:names:tc:ebxml-
   regrep:ObjectType:RegistryObject:Classification"
   />
635 </RegistryPackage>
<...>
    
```

Classification encoded outside the RegistryPackage object

```

640 <RegistryPackage id="Fol">
...
</RegistryPackage>
<!-- Classify registry package as Folder -->
<Classification
645   classificationNode="urn:uuid:d9d542f3-6cc4-48b6-8870-ea235fbc94c2"
   classifiedObject="Fol"
   id="IdExample_066"
   objectType="urn:oasis:names:tc:ebXML-
   regrep:ObjectType:RegistryObject:Classification"
   />
650 <...>
    
```

Item	Description
Classification/@classifiedObject	The @id attribute of the RegistryPackage being classified.
Classification/@classificationNode	A fixed value identifying the type of object the RegistryPackage represents. Accepted values: Folder: urn:uuid:d9d542f3-6cc4-48b6-8870-ea235fbc94c2
Classification/@id	Symbolic id or UUID identifying this Classification. See Section 4.2.3.1.5 for details.
Classification/@objectType	Fixed value as specified by ebRIM. Optional upon submission of objects, required upon retrieval. If set, must be "urn:oasis:names:tc:ebxml-regrep:ObjectType:RegistryObject:Classification".

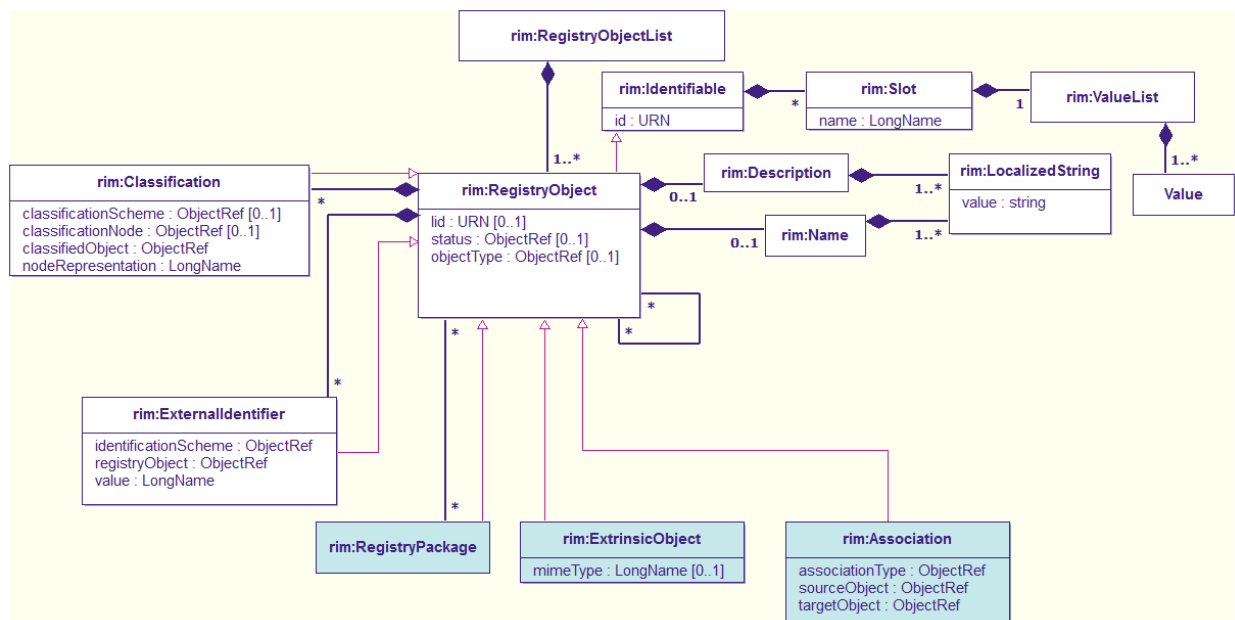
HL7, HEALTH LEVEL SEVEN and CDA are the registered trademarks of Health Level Seven International.

This Classification shall not contain other Slot, Name, Description, Classification, or External Identifier elements except as described above.

4.2.1.4 Registry Object List

655 In submission requests and query responses, a Registry Object List contains a list of Folders, SubmissionSets, DocumentEntries and Associations.

Figure 4.2.1.4-1 shows in detail the content of the rim:RegistryObjectList used to exchange Document Sharing metadata; a subset of the ebXML Registry Information Model (ebRIM).



660

Figure 4.2.1.4-1: Registry Object List (Informative)

The following XML example demonstrates the encoding of several metadata objects grouped within a rim:RegistryObjectList:

665

```

<rim:RegistryObjectList>
  <rim:RegistryPackage id="SubmissionSet01"> ... </rim:RegistryPackage>
  <rim:Association id="Document01InSubmissionSet01" ... />
  <rim:ExtrinsicObject id="Document01"> ... </rim:ExtrinsicObject>
</rim:RegistryObjectList>

```

670

4.2.2 Association Types

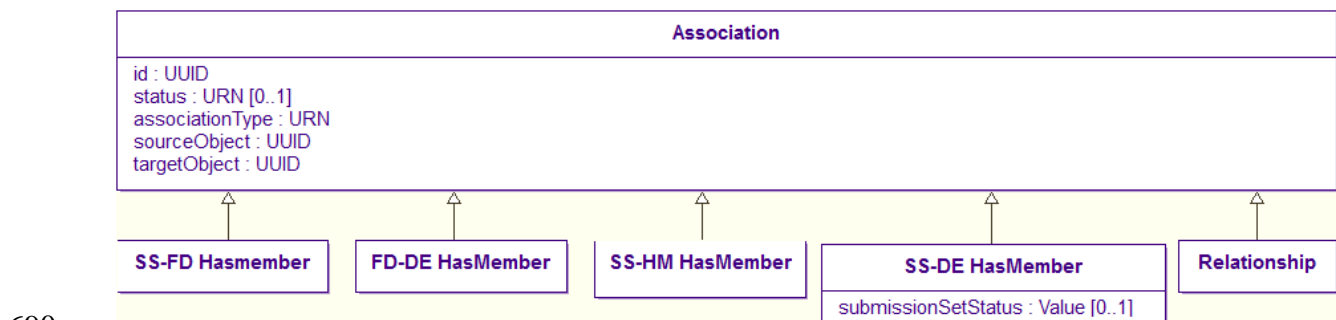
675 All relationships between metadata objects are handled through Associations. An Association is an object that describes a named relationship between two metadata objects. The relationship between the DocumentEntry and the Document it represents is made with the DocumentEntry.uniqueId attribute, and not an Association since the Document is not a metadata object.

Associations can be used to build relationships between:

- A SubmissionSet and a DocumentEntry – SS-DE HasMember
- 680 • A SubmissionSet and a Folder – SS-FD HasMember
- A Folder and a DocumentEntry – FD-DE HasMember
- A SubmissionSet and an Association – SS-HM HasMember
- A DocumentEntry and another DocumentEntry – Relationship

Once deprecated, a DocumentEntry shall not be referenced by future associations.

685 The abstract concept of a HasMember or Relationship Association is expressed through an ebRIM Association illustrated in the diagram below. This expression is done by mapping the abstract Association metadata attributes into Association class attributes and other associated classes. Further details regarding the Association object type can be found in Section 4.1.2.



690 **Figure 4.2.2-1: Association (Informative)**

695 Figure 4.2.2-1 represents the attributes of an Association. This diagram demonstrates that the various HasMember and Relationship Associations inherit the attributes from the Association class, and that the SS-DE HasMember (SubmissionSet to DocumentEntry) also has the submissionSetStatus metadata attribute in addition to the Association class attributes. All Associations shall have an id (entryUUID) attribute. It may have UUID or symbolic format depending on where they are used. Symbolic format is allowable only in submissions.

Associations have 3 other required attributes (see Figure 4.2.2-1):

- 700
- sourceObject
 - targetObject
 - associationType

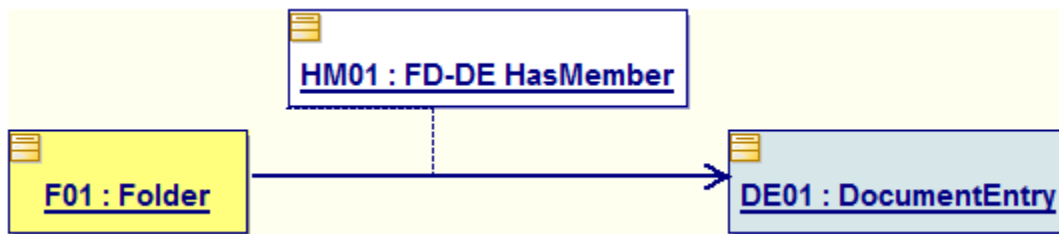
These attributes can be thought to make a small sentence:

- sourceObject AssociationType targetObject

705 The sentence is composed of noun-verb-object for example:

- Folder HasMember DocumentEntry

Graphically this example Association looks like:



710 **Figure 4.2.2-2: Folder HasMember DocumentEntry (Informative)**

Association Type formatting

An Association type shall be specified as a URN.

715 The sourceObject and targetObject are UUID or symbolic format depending on where they are used. Symbolic format is allowable only in submissions. The status attribute shall not be submitted but shall be returned from queries.

The valid Association types are specified in the following table.

Table 4.2.2-1: Association Types

Meaning	Association Type
Membership in a Registry Package (SubmissionSet or Folder)	urn:oasis:names:tc:ebxml-regrep:AssociationType:HasMember
Replace	urn:ihe:iti:2007:AssociationType:RPLC
Transformation	urn:ihe:iti:2007:AssociationType:XFRM

HL7, HEALTH LEVEL SEVEN and CDA are the registered trademarks of Health Level Seven International.

Meaning	Association Type
Addendum	urn:ihe:iti:2007:AssociationType:APND
Replace with Transformation	urn:ihe:iti:2007:AssociationType:XFRM_RPLC
Digital Signature	urn:ihe:iti:2007:AssociationType:signs
Snapshot of On-Demand document entry	urn:ihe:iti:2010:AssociationType:IsSnapshotOf

720

Example of basic Association

725

```
<rim:Association
  id="urn:uuid:95e9115b-3d90-46ae-9610-ed34fd683d96"
  status="urn:oasis:names:tc:ebxml-regrep:StatusType:Approved"
  associationType="urn:ihe:iti:2007:AssociationType:RPLC"
  sourceObject="urn:uuid:3cce0135-cedb-4a26-ba00-8698ee8dde04"
  targetObject="urn:uuid:e0985823-dc50-45a5-a6c8-a11a829893bd"/>
```

4.2.2.1 HasMember

730

In the Document Sharing abstract metadata model, many different relationships are defined between SubmissionSet, DocumentEntry and Folder objects. In this section, each of these relationships is given its own name, like SS-DE HasMember - SubmissionSetHasMemberDocumentEntry. In the underlying eBRIM model, all of these relationships are created using the eBRIM HasMember Association type.

735

Note: There are four variants of the HasMember Association. See Section 4.1.2 for an overview.

4.2.2.1.1 SS-DE HasMember

740

HasMember - a DocumentEntry shall be submitted as part of a SubmissionSet by connecting the objects with a HasMember Association. This is shown as SS-DE HasMember in Figure 4.1-1. DocumentEntries may be included in a SubmissionSet in two ways: inclusion by value and inclusion by reference.

SubmissionSet Association labeling

Two types of Association labels are defined: original (submission by value), or reference (Submission by reference). This enables finding the SubmissionSet that first submitted the document.

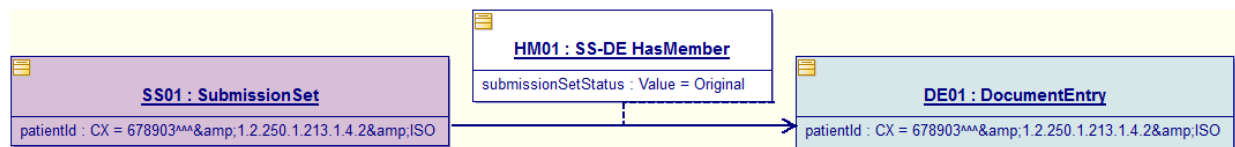
745

Submission of an original Document (inclusion by value)

When the creating entity has a new document to be submitted, it shall submit a DocumentEntry by value in the SubmissionSet. This means that the DocumentEntry (and corresponding Document) are part of the submission. The HasMember Association shall contain a slot with the name SubmissionSetStatus with the value set to **original**.

HL7, HEALTH LEVEL SEVEN and CDA are the registered trademarks of Health Level Seven International.

750 All DocumentEntries submitted in a SubmissionSet, included by value, shall have their patientId attribute set to the same value. The value of the SubmissionSet.patientId attribute shall match the value of the DocumentEntry.patientId attribute. The metadata of this submission contains the SubmissionSet, the DocumentEntry, and the original SS-DE HasMember Association connecting them.



755

Figure 4.2.2.1.1-1: SubmissionSet HasMember DocumentEntry (Informative)

When submitting an existing document by value:

- The targetObject shall contain the Id of the DocumentEntry object.
- The sourceObject shall contain the Id of the SubmissionSet object

760

The following XML example demonstrates how to encode a submission by value.

```
<rim:Association
  associationType="urn:oasis:names:tc:ebxml-
765 regrep:AssociationType:HasMember"
  sourceObject="SubmissionSet01"
  targetObject="Document01">
  <rim:Slot name="SubmissionSetStatus">
    <rim:ValueList>
770     <rim:Value>Original</rim:Value>
    </rim:ValueList>
  </rim:Slot>
</rim:Association>
```

775 **Submission of a reference to an existing Document (inclusion by reference)**

Existing documents can be referenced by a SubmissionSet. This means that the DocumentEntry (and corresponding Document) are not part of the submission; they have been previously submitted and already exist in the receiving actor. Documents that were submitted in a previous SubmissionSet may be referenced by subsequent SubmissionSets. In this case, the HasMember Association shall contain a slot with the name SubmissionSetStatus with the value set to **Reference**.

780

The value of the SubmissionSet.patientId attribute is not required to match the value of the DocumentEntry.patientId attribute of a DocumentEntry included by reference. The metadata of this submission contains the SubmissionSet. The SS-DE HasMember Association with the

785 'Value=Reference' connects the SubmissionSet to a DocumentEntry already present in the receiving actor.

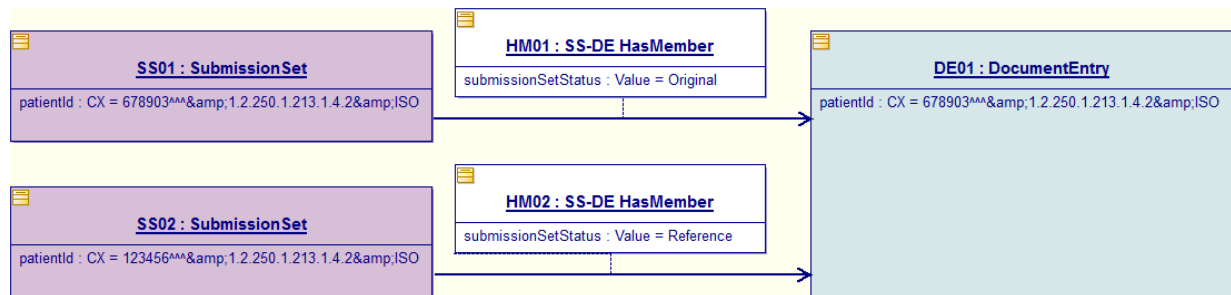


Figure 4.2.2.1.1-2: Submission of a reference to an existing Document (Informative)

790

When submitting a reference to an existing document:

- The targetObject shall contain the Id of the DocumentEntry object.
- The sourceObject shall contain the Id of the SubmissionSet object.

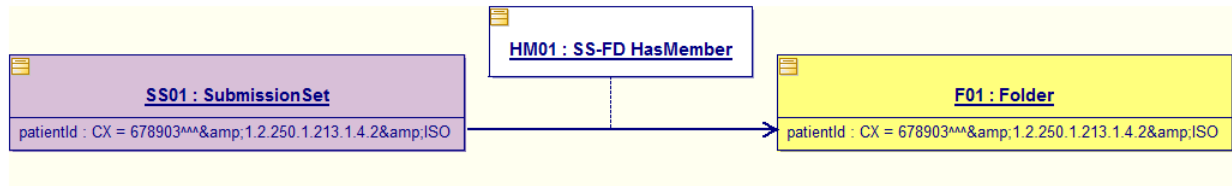
The following XML example demonstrates how to encode a submission by reference.

795

```
<rim:Association
  associationType="urn:oasis:names:tc:ebxml-
  800 regrep:AssociationType:HasMember"
  sourceObject="SubmissionSet01"
  targetObject="Document01">
  <rim:Slot name="SubmissionSetStatus">
    <rim:ValueList>
      <rim:Value>Reference</rim:Value>
    </rim:ValueList>
  </rim:Slot>
  805 </rim:Association>
```

4.2.2.1.2 SS-FD HasMember

810 **HasMember** - Submit a Folder. The submission includes the Folder object and a HasMember Association linking the Folder to the SubmissionSet. This is shown as SS-FD HasMember in Figure 4.2.2.1.2-1. The value of the SubmissionSet.patientId attribute shall match the value of the Folder.patientId attribute.



815 **Figure 4.2.2.1.2-1: SubmissionSet HasMember Folder (Informative)**

When submitting a Folder:

- The targetObject shall contain the Id of the Folder object.
- The sourceObject shall contain the Id of the SubmissionSet object.

820

Example SubmissionSet – Folder HasMember Association

```

<rim:Association
  associationType="urn:oasis:names:tc:ebxml-regrep:AssociationType:HasMember"
  sourceObject="SubmissionSet01"
  targetObject="Folder01">
</rim:Association>
    
```

825

The sourceObject and targetObject attributes are shown using symbolic names to reference the other objects in the submission. UUID format values could have been used if those objects were coded that way.

830 **4.2.2.1.3 FD-DE HasMember**

FD-DE HasMember - a HasMember Association linking a Folder to a DocumentEntry. The value of the Folder.patientId attribute shall match the value of the DocumentEntry.patientId attribute.



835

Figure 4.2.2.1.3-1: Folder HasMember DocumentEntry (Informative)

Linking documents to a folder

840 A document can be linked to a Folder to indicate that this document is a member of a particular Folder. This is colloquially called “putting the document into the folder.” Each FD-DE HasMember Association shall be accompanied by a SS-HM HasMember Association that links

the FD-DE HasMember Association with the SubmissionSet object (see Section 4.2.2.1.4). See Section 4.2.2.15 for the four ways a DocumentEntry can be added to a Folder.

When adding a DocumentEntry to a Folder:

- 845
- The targetObject shall contain the Id of the DocumentEntry object.
 - The sourceObject shall contain the Id of the Folder object.

Example Folder HasMember Association

```
850 <Association
      id="FolderToDocAssoc"
      associationType="urn:oasis:names:tc:ebxml-regrep:AssociationType:HasMember"
      sourceObject="urn:uuid:e0985823-dc50-45a5-a6c8-a11a8298aabb"
      targetObject="urn:uuid:e0985823-dc50-45a5-a6c8-a11a829893bd" />
855 <Association
      associationType="urn:oasis:names:tc:ebxml-regrep:AssociationType:HasMember"
      sourceObject="SubmissionSet"
      targetObject="FolderToDocAssoc" />
```

860 In the first association, since both the sourceObject and targetObject attributes in the example are in UUID format (and not symbolic id format), the Folder and the DocumentEntry referenced could be part of this submission or already present in the registry.

The second Association shown is a SS-HM HasMember which is between the SubmissionSet and the first Association documenting which submission added the DocumentEntry to the Folder.

865

4.2.2.1.4 SS-HM HasMember

HasMember - a HasMember Association linking a SubmissionSet to a FD-DE HasMember Association, which is in turn an Association between a Folder and a DocumentEntry. This is shown as SS-HM HasMember in Figure 4.2.2.1.5-1. This shall be used to record the

870 SubmissionSet responsible for adding the DocumentEntry to the Folder. The values of SubmissionSet.patientId, Folder.patientId, and DocumentEntry.patientId shall all be the same.

This kind of Association is used when adding a document to an existing Folder. It is used to identify the entity that created the link between a particular document and a particular Folder and shall be as follows:

- 875
- The targetObject shall contain the Id of the Association that links the DocumentEntry and the Folder.
 - The sourceObject shall contain the Id of the SubmissionSet object.

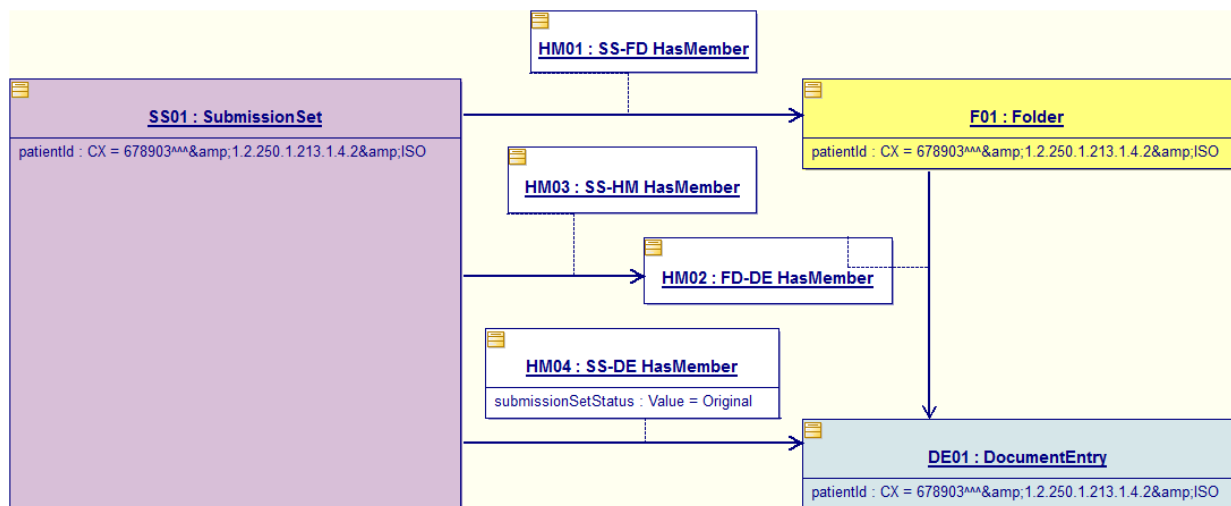
4.2.2.1.5 Adding DocumentEntries to Folders

A DocumentEntry can be added to a Folder in one of four ways:

- 880
1. The DocumentEntry can be submitted as part of the Folder in a single submission.
 2. The DocumentEntry and Folder are already present. The new submission makes the DocumentEntry a member of the Folder by adding the Association.
 3. The DocumentEntry is already present. The new submission includes the Folder and the Association to make the DocumentEntry part of the Folder.
- 885
4. The Folder is already present. The new submission includes the DocumentEntry and the Association to make the DocumentEntry part of the Folder.

Scenario 1 - DocumentEntry submitted as part of the Folder in a single submission.

The simplest scenario submits all related objects in one submission set, as shown below.

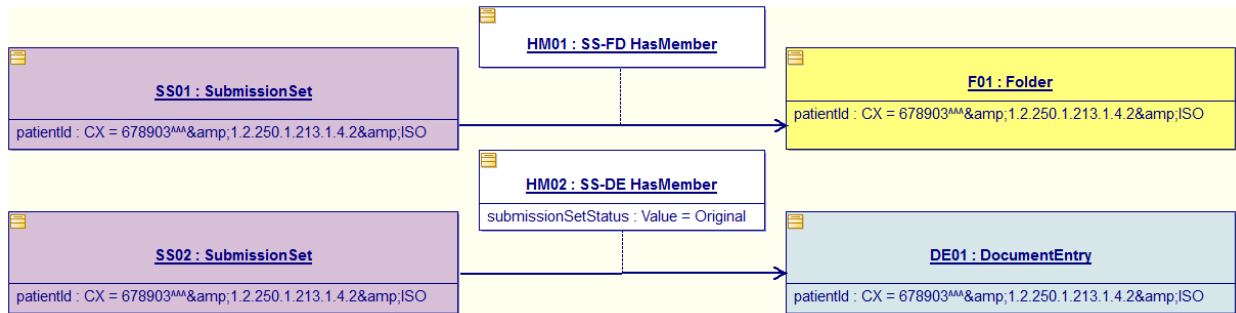


890

Figure 4.2.2.1.5-1: Scenario 1 - DocumentEntry submitted as part of the Folder (Informative)

Scenario 2 – Add existing DocumentEntry to existing Folder

- 895
- Documents can be placed in a Folder at a later date and time, as shown in Figures 4.2.2.1.5-2 and 4.2.2.1.5-3. In this case, the SubmissionSet SS03 which links to FD-DE HasMember will not have as member either the DocumentEntry or the Folder that correspond to the referenced document and Folder.



900 **Figure 4.2.2.1.5-2: Scenario 2 - Existing DocumentEntry and existing Folder (Informative)**

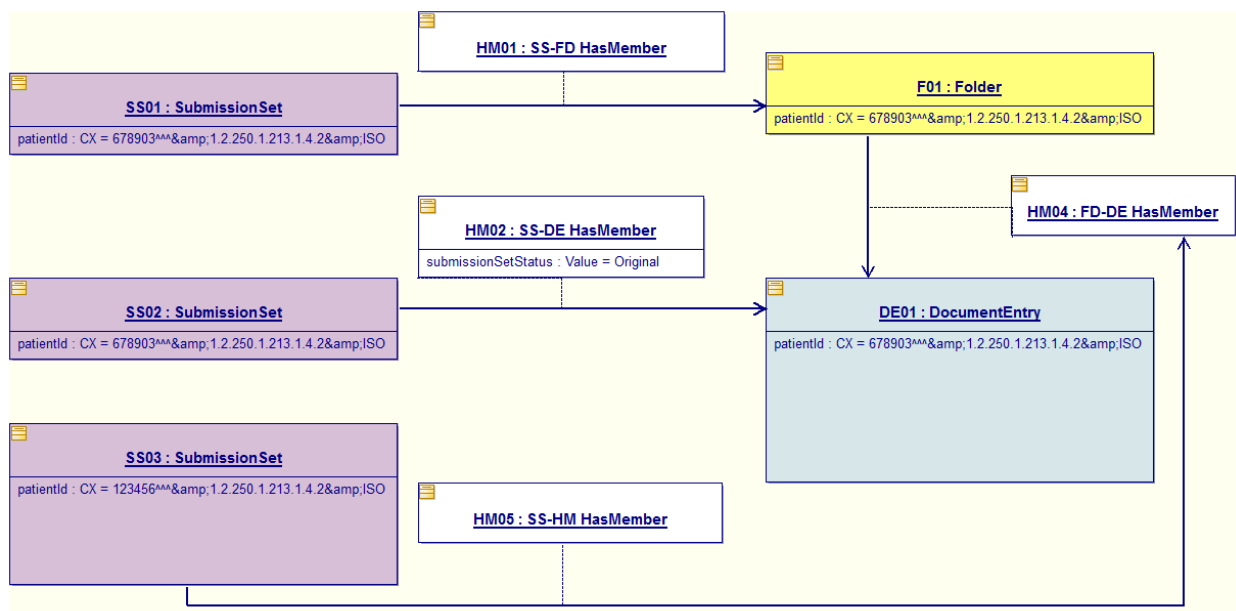
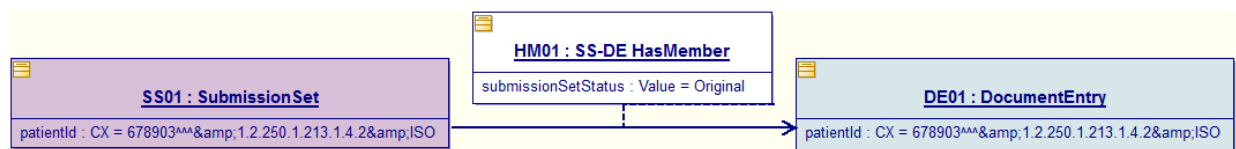


Figure 4.2.2.1.5-3: Scenario 2 - Add existing DocumentEntry to existing Folder (Informative)

905 **Scenario 3 – Folder submitted and existing DocumentEntry added to it**

When a new Folder is submitted, an existing DocumentEntry can be added to that Folder. In this case, the SubmissionSet object will not contain the DocumentEntry metadata that correspond to the referenced document.



910 **Figure 4.2.2.1.5-4: Scenario 3 - Starting point - Existing DocumentEntry (Informative)**

HL7, HEALTH LEVEL SEVEN and CDA are the registered trademarks of Health Level Seven International.

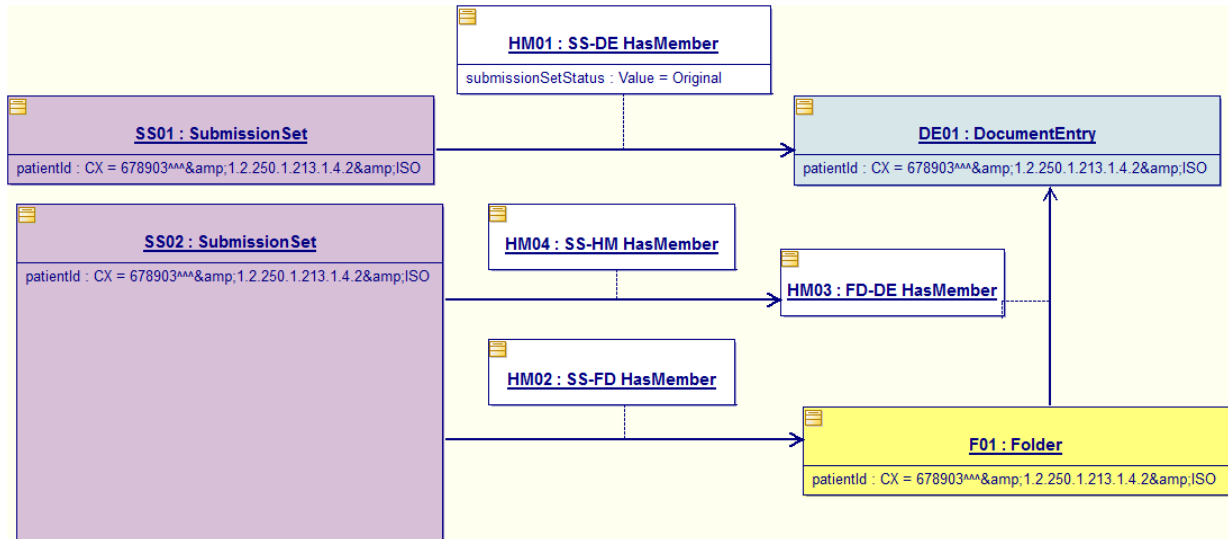
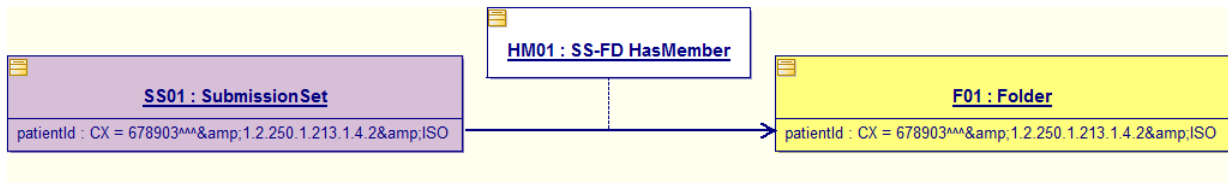


Figure 4.2.2.1.5-5: Scenario 3 - Folder submitted and existing DocumentEntry added to it (Informative)

915 **Scenario 4 – DocumentEntry submitted and added to existing Folder**

When a new DocumentEntry is submitted, it can be added to an existing folder. In this case, the SubmissionSet object will not contain the Folder metadata that correspond to the referenced Folder.



920 **Figure 4.2.2.1.5-6: Scenario 4 - Starting point - Existing Folder (Informative)**

HL7, HEALTH LEVEL SEVEN and CDA are the registered trademarks of Health Level Seven International.

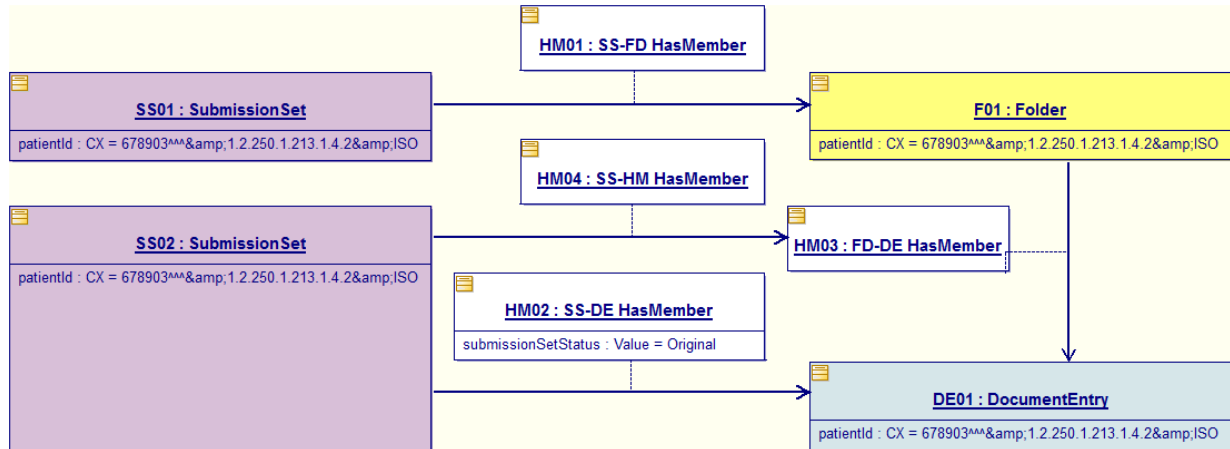


Figure 4.2.2.1.5-7: Scenario 4 - DocumentEntry submitted and added to existing Folder (Informative)

925 **4.2.2.2 Document Relationship**

Document relationships are association types used to link two DocumentEntry objects and declare a semantic relationship between them. Receiving a document relationship Association triggers specific processing in the receiving actor in some profiles. This is documented in the Expected Actions section of the relevant transaction in an IHE profile.

930 A document relationship refers to any of the relationships listed in Table 4.2.2.2-1 Document Relationships. The document relationship semantics (except Signs) are defined in HL7 Clinical Document Architecture (CDA) Release 2.

Table 4.2.2.2-1: Document Relationships

Relationship	Definition
APND (append)	The current document is an addendum to the parent document.
RPLC (replace)	The current document is a replacement of the parent document.
XFRM (transform)	The current document is a transformation of the parent document.
XFRM_RPLC (transform with replace)	The current document is both a transformation and a replacement of the parent document.
Signs	The current document is a Digital Signature which signs the parent document.
Is Snapshot of	The current document is a snapshot in time of the parent which shall be an on-demand document

935 Adapted from HL7 CDA Release 2, Committee Ballot 2

To create a document relationship in the registry, a creating entity shall submit:

A new Document (DocumentEntry).

HL7, HEALTH LEVEL SEVEN and CDA are the registered trademarks of Health Level Seven International.

An Association linking the new document to an existing document.

940 The Association type defines the document relationship. The new DocumentEntry and the Association must be submitted in the same SubmissionSet. The existing DocumentEntry must be an Approved object already in the registry (see Section 4.2.3.2.2, DocumentEntry.availabilityStatus). The identity (entryUUID) of the existing document will be known because the creating entity assigned the entryUUID prior to submission or discovered it (e.g., under XDS via Registry Stored Query [ITI-18]).

945 The targetObject attribute of the Association is the entryUUID representing the existing DocumentEntry known to the receiving entity. This entryUUID may have been discovered via Registry Stored Query [ITI-18], or other means.

950 Note to implementers: An XDS Document Source using saved UUIDs in future transactions can run into consistency problems. A second XDS Document Source can deprecate any document. Once a document is deprecated, new Associations to that document cannot be accepted by the XDS Document Registry. The saved UUID will point to the deprecated document and not the replacement document.

A submitting actor creates a document relationship by submitting a SubmissionSet containing:

DocumentEntry – this describes the new document being submitted

955 The uniqueId attribute shall be unique
The entryUUID shall be unique or a symbolic Id as described in Section 4.2.3.1.5.

Association – this links the original DocumentEntry (already known to the receiving entity) with the new DocumentEntry being submitted.

960 The targetObject attribute of the Association object references the existing DocumentEntry known to the receiving entity.
The sourceObject attribute of the Association object references the DocumentEntry contained in the SubmissionSet.

The Association Type is one of the relationships in Table 4.2.2.2-1: Document Relationships.

965 Associations of type XFRM, APND, RPLC, and XFRM_RPLC may include documentation describing the Association (type of transformation, reason for replacement, etc.). If one of these is included, it shall be specified as a Classification on the Association as shown in the example below.

Example of a partial submission request:

```
970 <rim:Association
      associationType="urn:ihe:iti:2007:AssociationType:XFRM"
      sourceObject="source"
      targetObject="urn:uuid:XXX"
      objectType="urn:oasis:names:tc:ebxml-
975         regrep:ObjectType:RegistryObject:Association"
      id="IdExample_042"
      >
      <rim:Classification
        classificationScheme="urn:uuid:abd807a3-4432-4053-87b4-fd82c643d1f3"
        classifiedObject="IdExample_042"
980         id="IdExample_043"
        objectType="urn:oasis:names:tc:ebxml-
        regrep:ObjectType:RegistryObject:Classification"
        nodeRepresentation="LanguageExample"
        >
        <rim:Name>
985         <rim:LocalizedString value="Translation into LanguageExample" />
        </rim:Name>
        <rim:Slot name="codingScheme">
          <rim:ValueList>
990           <rim:Value>Example translation types</rim:Value>
          </rim:ValueList>
        </rim:Slot>
        </rim:Classification>
      </rim:Association>
      <rim:ExtrinsicObject id="source"
995       objectType=" urn:uuid:7edca82f-054d-47f2-a032-9b2a5b5186c1">
        . . .
      </rim:ExtrinsicObject>
```

1000 Since the targetObject always references an object already in the Registry; it shall be coded in UUID format, as shown.

A stub DocumentEntry is shown to illustrate the id reference coding (Association sourceObject attribute referencing the id attribute of the DocumentEntry/ExtrinsicObject in the submission).

1005 The new documents (related to original document by RPLC, APND, XFRM, or XFRM_RPLC Associations) shall be assigned their own uniqueId attribute unrelated to the original document's uniqueId. See IHE ITI TF-2x: Appendix B "Definition of uniqueIds".

See ITI TF-1: 10.4.10 for further detail on the use and meaning of document relationships.

4.2.2.2.1 APND

1010 The submission shall contain a new DocumentEntry and associated Document and an APND Association linking this new DocumentEntry with an existing DocumentEntry. This new Document/DocumentEntry forms an addendum to the existing Document/DocumentEntry. The APND Association may include documentation describing the addendum (e.g., reason for adding

HL7, HEALTH LEVEL SEVEN and CDA are the registered trademarks of Health Level Seven International.

the addendum, etc.) The APND relationship leaves the original DocumentEntry with its availabilityStatus unchanged (Approved).

1015

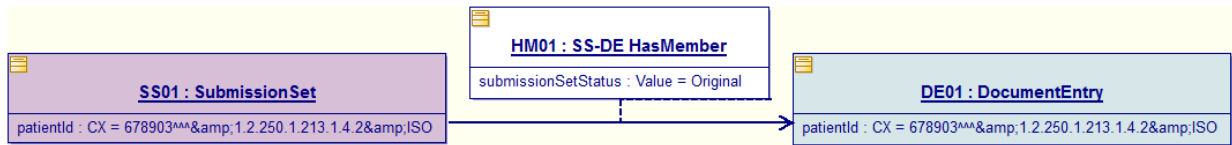


Figure 4.2.2.2.1-1: Starting Point (Informative)

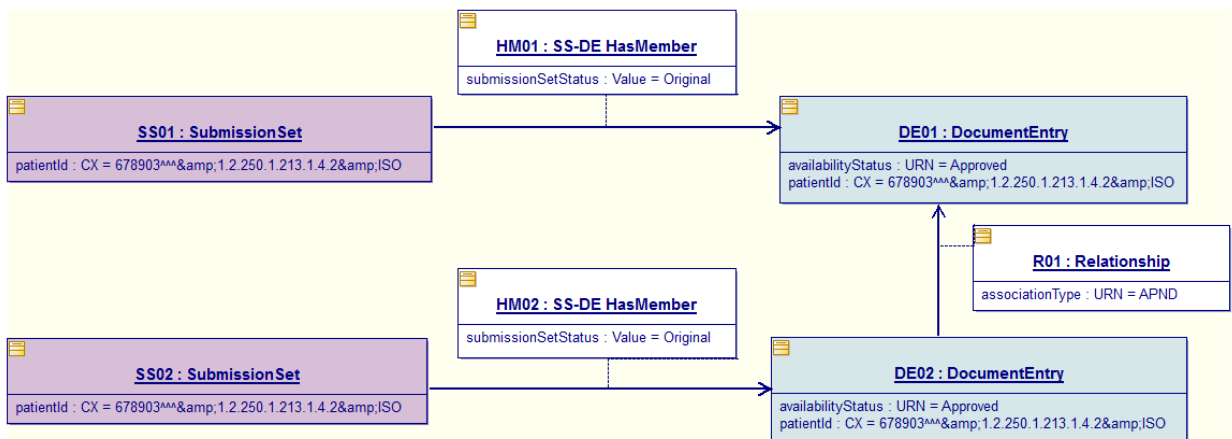


Figure 4.2.2.2.1-2: New DocumentEntry and Document forming an addendum to an existing DocumentEntry/Document (Informative)

1020

Interactions between XFRM and APND

A transformation (connected to original document with XFRM Association) is an alternate form of an original document. Therefore, a transformation shall not be appended (APND).

4.2.2.2.2 XFRM

1025

The submission shall contain a new DocumentEntry and associated Document and a XFRM Association linking this new DocumentEntry with an existing DocumentEntry. This new Document/DocumentEntry defines a transformation of the existing Document/DocumentEntry. The XFRM Association may include documentation describing the transformation (e.g., reason for transformation, etc.). The XFRM relationship leaves the original DocumentEntry with its

1030

availabilityStatus unchanged (Approved).

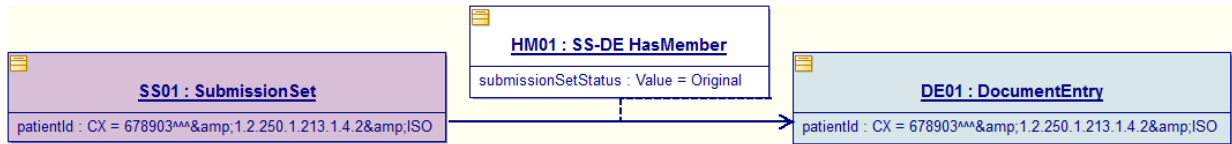
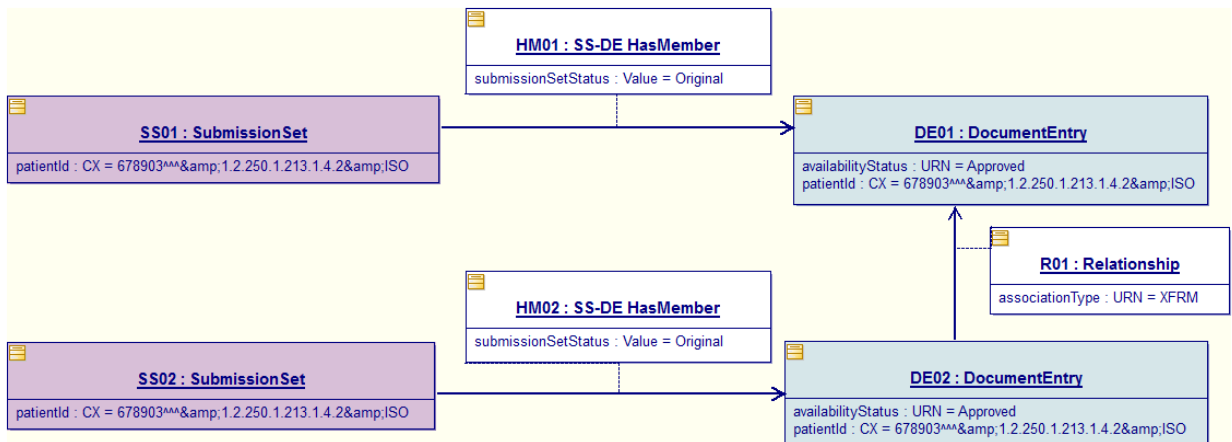


Figure 4.2.2.2-1: Starting Point (Informative)



1035

Figure 4.2.2.2-2: New DocumentEntry/Document defining a transformation of an existing DocumentEntry/Document (Informative)

4.2.2.2.3 RPLC

1040

The submission shall contain a new DocumentEntry and associated Document and a RPLC Association linking this new DocumentEntry with an existing DocumentEntry. The new DocumentEntry and Document are considered the approved version of the document; the existing DocumentEntry and Document become a deprecated version. The RPLC Association may include documentation describing the replacement (e.g., reason for replacement, etc.).

1045

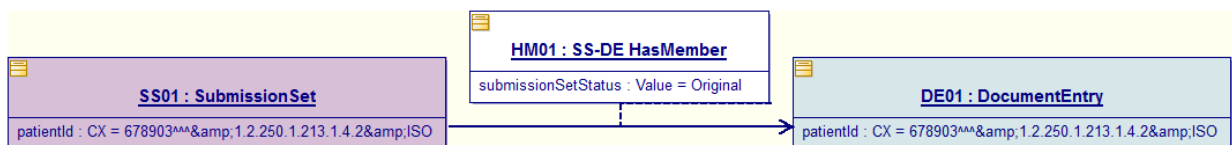
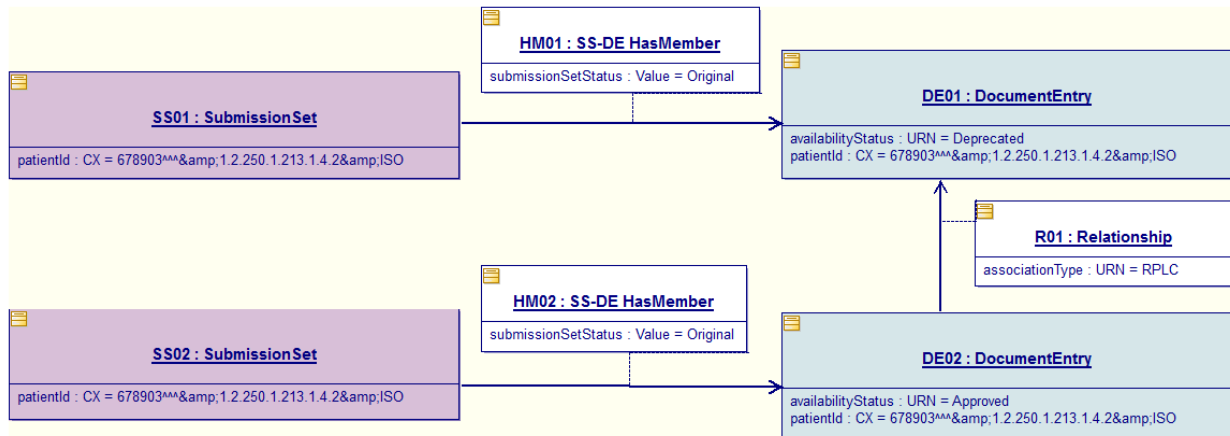


Figure 4.2.2.2.3-1: Starting Point (Informative)

HL7, HEALTH LEVEL SEVEN and CDA are the registered trademarks of Health Level Seven International.



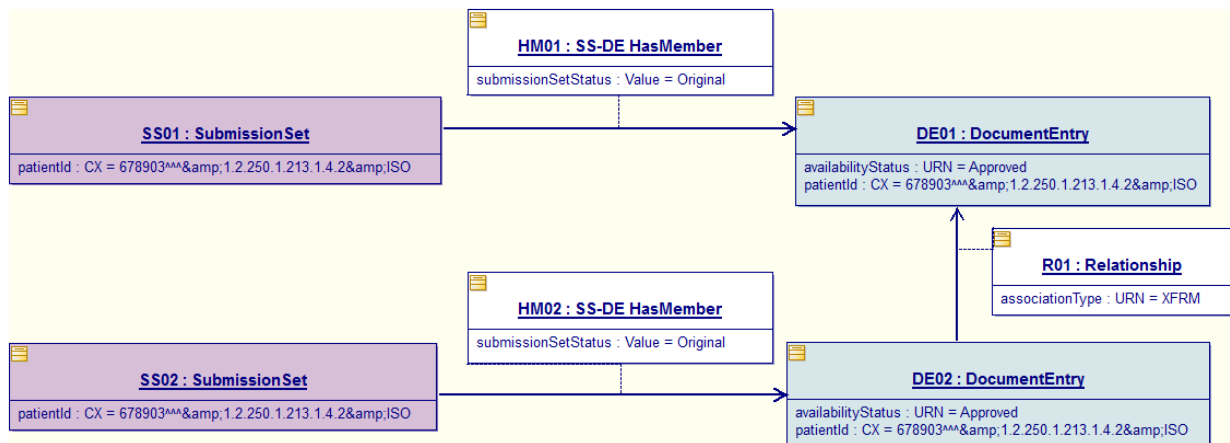
1050

Figure 4.2.2.2.3-2: New DocumentEntry and Document replacing existing DocumentEntry/Document (Informative)

RPLC interactions with other Associations

1055 The submission of a RPLC relationship shall change the availabilityStatus of the original DocumentEntry to Deprecated. All transformations (XFRM) and addenda (APND) of the original document shall also be deprecated.

Figures 4.2.2.2.3-2 and 4.2.2.2.3-3 show a new DocumentEntry/Document replacing a transformation (XFRM) of an existing DocumentEntry/Document:



1060

Figure 4.2.2.2.3-3: New DocumentEntry/Document defining a transformation of an existing DocumentEntry/Document – Starting point (Informative)

HL7, HEALTH LEVEL SEVEN and CDA are the registered trademarks of Health Level Seven International.

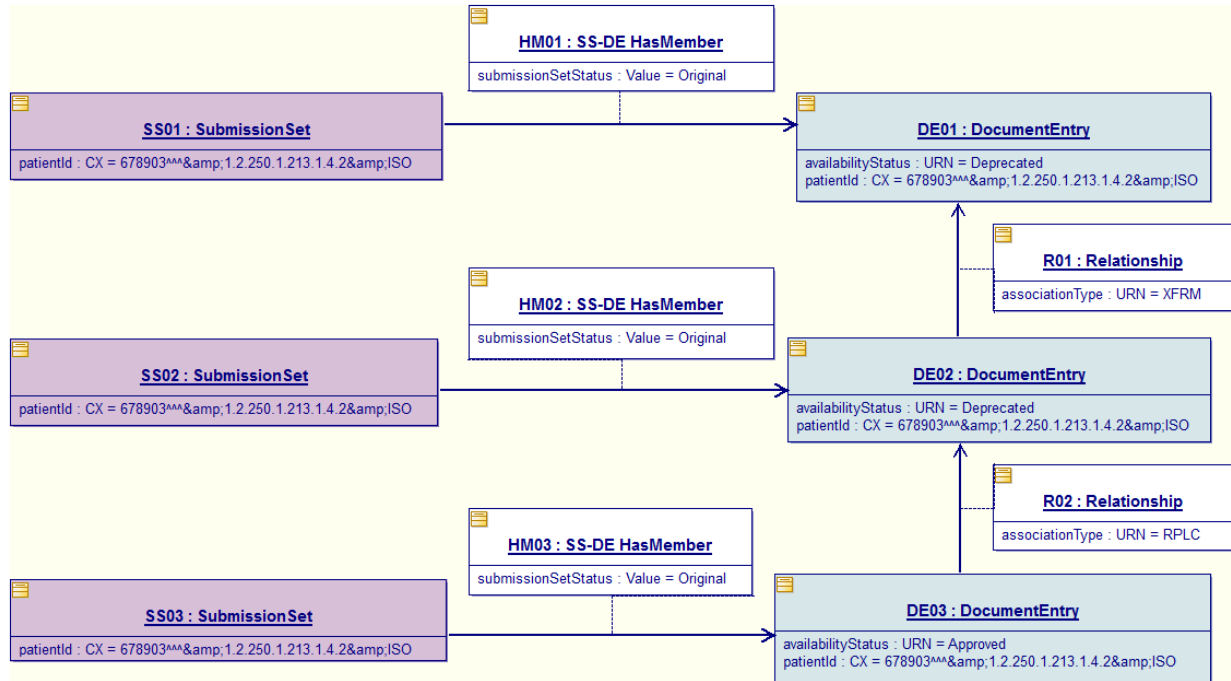


Figure 4.2.2.2.3-4: New DocumentEntry/Document replacing a transformation (XFRM) of an existing DocumentEntry/Document (Informative)

1065

Figures 4.2.2.2.3-4 and 4.2.2.2.3-5 show a new DocumentEntry/Document replacing an addendum (APND) of an existing DocumentEntry/Document.

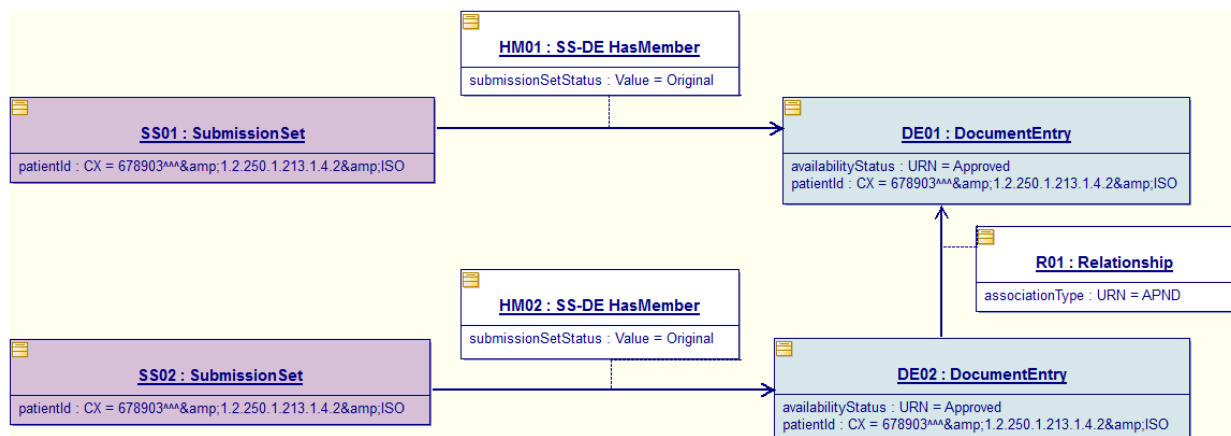


Figure 4.2.2.2.3-5: New DocumentEntry and Document forming an addendum to an existing DocumentEntry/Document – Starting point (Informative)

1070

HL7, HEALTH LEVEL SEVEN and CDA are the registered trademarks of Health Level Seven International.

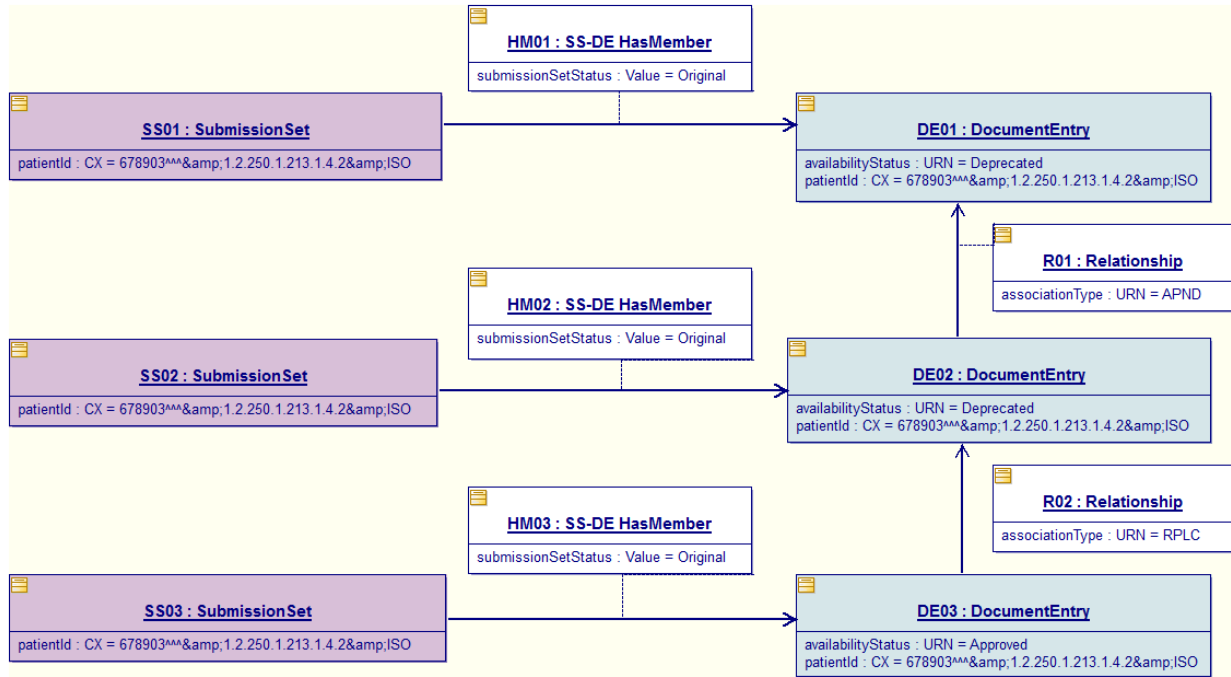


Figure 4.2.2.2.3-6: New DocumentEntry/Document replacing an addendum (APND) of an existing DocumentEntry/Document (Informative)

1075

Only an Approved DocumentEntry is replaceable. The most recent version of a DocumentEntry carries an availabilityStatus of Approved while older versions carry an availabilityStatus of Deprecated.

1080

A transformation (connected to original DocumentEntry with XFRM Association) is an alternate form of an original document. Therefore, a transformation is permitted to be replaced (RPLC).

1085

When a DocumentEntry is replaced and that DocumentEntry is a member of one or more Folders, new FD-DE HasMember and SS-HM HasMember Associations shall be created by the receiving actor, connecting the replacement DocumentEntry to each Folder that held the original DocumentEntry as a member. The result is that a Folder contains both the original and replacement DocumentEntry differentiated by their availabilityStatus.

HL7, HEALTH LEVEL SEVEN and CDA are the registered trademarks of Health Level Seven International.

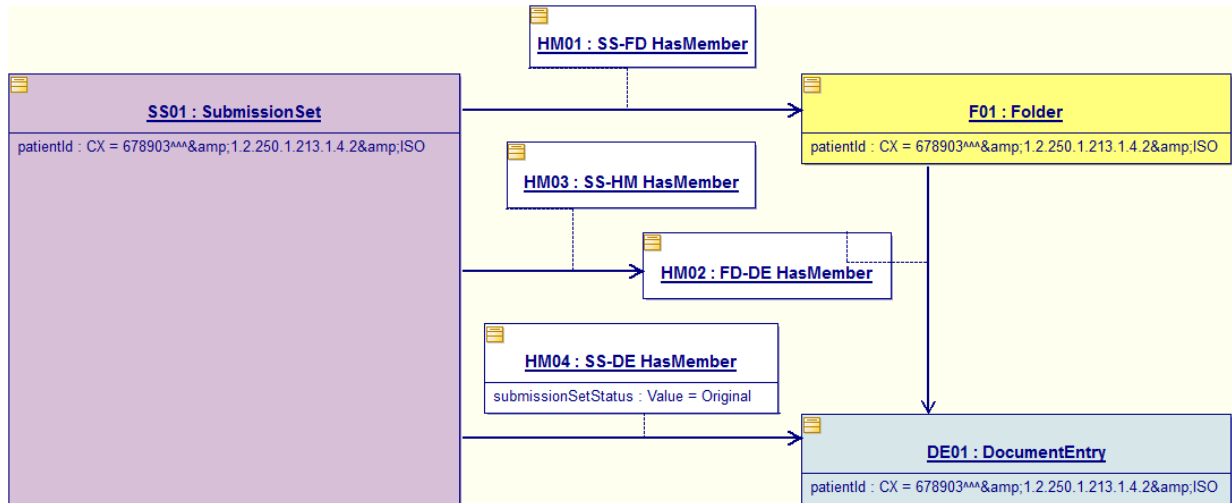


Figure 4.2.2.3-7: DocumentEntry submitted as part of the Folder in a single submission – Starting point (Informative)

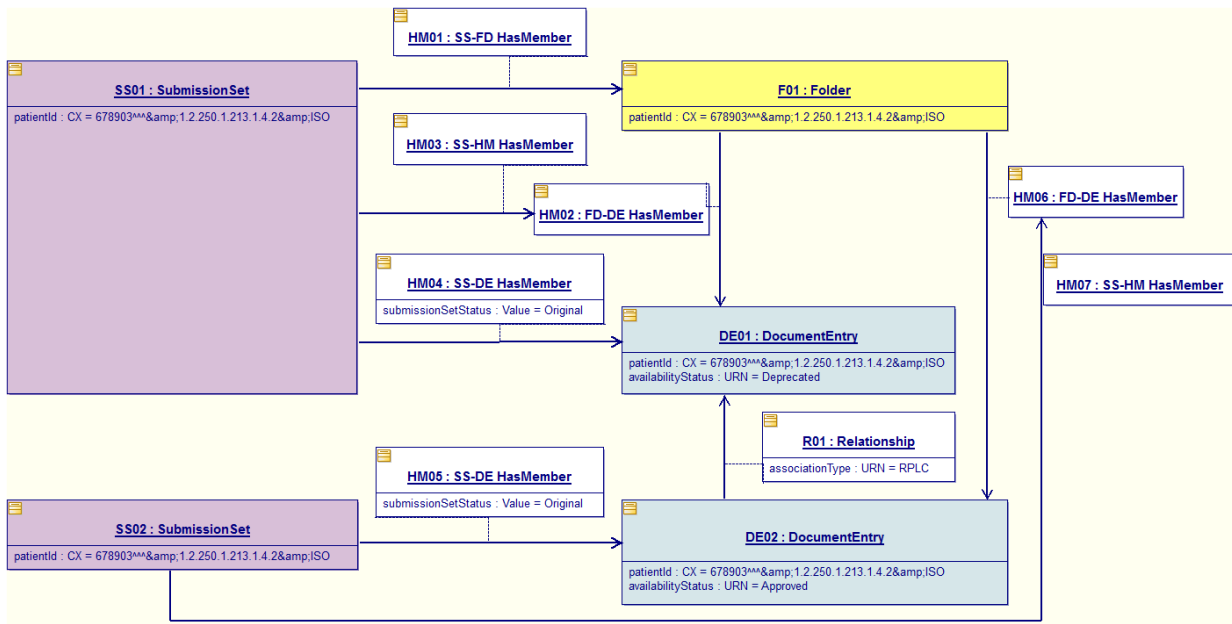


Figure 4.2.2.3-8: Submission of a new DocumentEntry replacing the DocumentEntry part of an existing Folder (Informative)

1090

HL7, HEALTH LEVEL SEVEN and CDA are the registered trademarks of Health Level Seven International.

4.2.2.2.4 XFRM_RPLC

1095 The submission contains a new DocumentEntry and associated Document and a XFRM_RPLC Association linking this new DocumentEntry with an existing DocumentEntry. This new Document/DocumentEntry defines a transformation of the existing Document/DocumentEntry that replaces the existing Document/DocumentEntry. The XFRM_RPLC Association may include documentation describing the transformation/replacement (e.g., reason, etc.). The XFRM_RPLC can be thought of as a RPLC followed immediately by a XFRM. All behavior associated with a RPLC association shall also apply to the XFRM_RPLC association.

1100

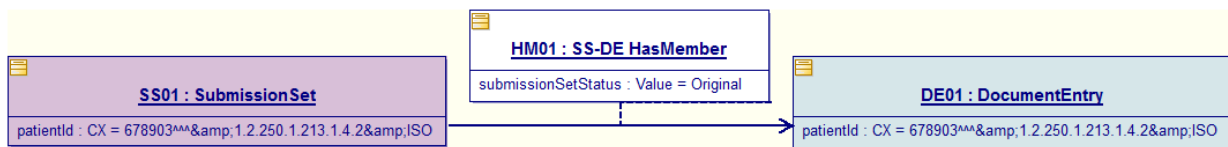


Figure 4.2.2.2.4-1: Starting Point (Informative)

1105

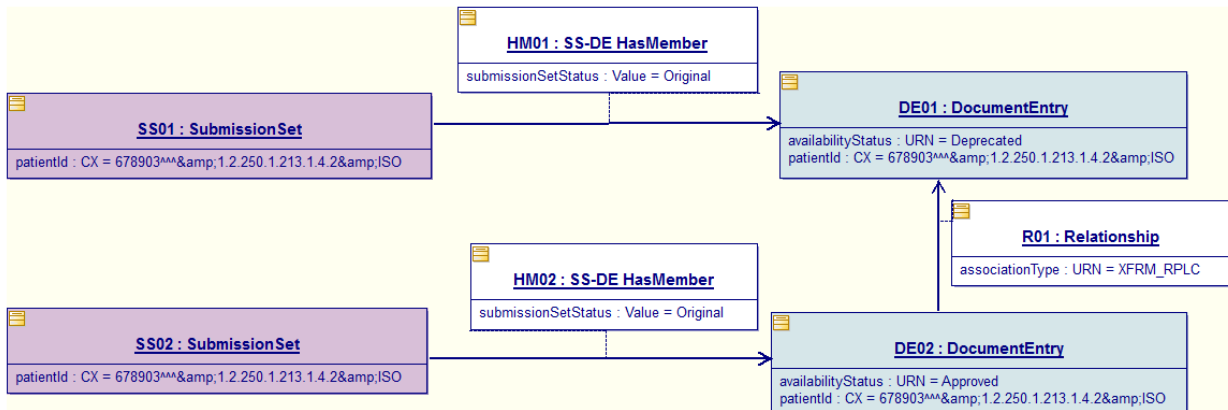


Figure 4.2.2.2.4-2: New DocumentEntry/Document defining a transformation of an existing DocumentEntry/Document that replaces this existing DocumentEntry/Document (Informative)

1110

4.2.2.2.5 Signs

The submission contains a new DocumentEntry and associated Document and a Signs Association linking this new DocumentEntry with an existing DocumentEntry. This new Document is a Digital Signature that signs the existing Document.

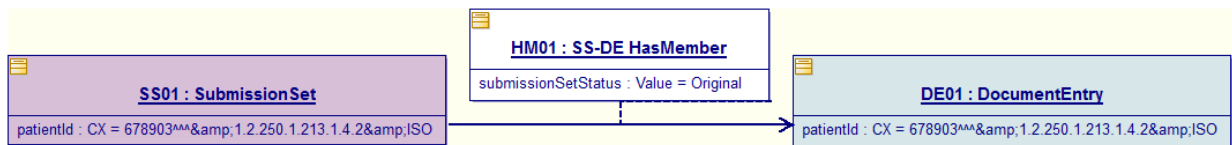
1115 An eBRIM Association with associationType of *signs* shall be used to link a DocumentEntry representing a Digital Signature with the DocumentEntry representing the document being

HL7, HEALTH LEVEL SEVEN and CDA are the registered trademarks of Health Level Seven International.

signed. Details of how Digital Signatures are represented are found in the ITI Digital Signatures Profile.

In constructing this Association, the attributes are:

- 1120 **sourceObject**: references the DocumentEntry representing the Digital Signature
- targetObject**: references the DocumentEntry representing the document being signed
- associationType**: signs



1125 **Figure 4.2.2.2.5-1: Starting Point (Informative)**

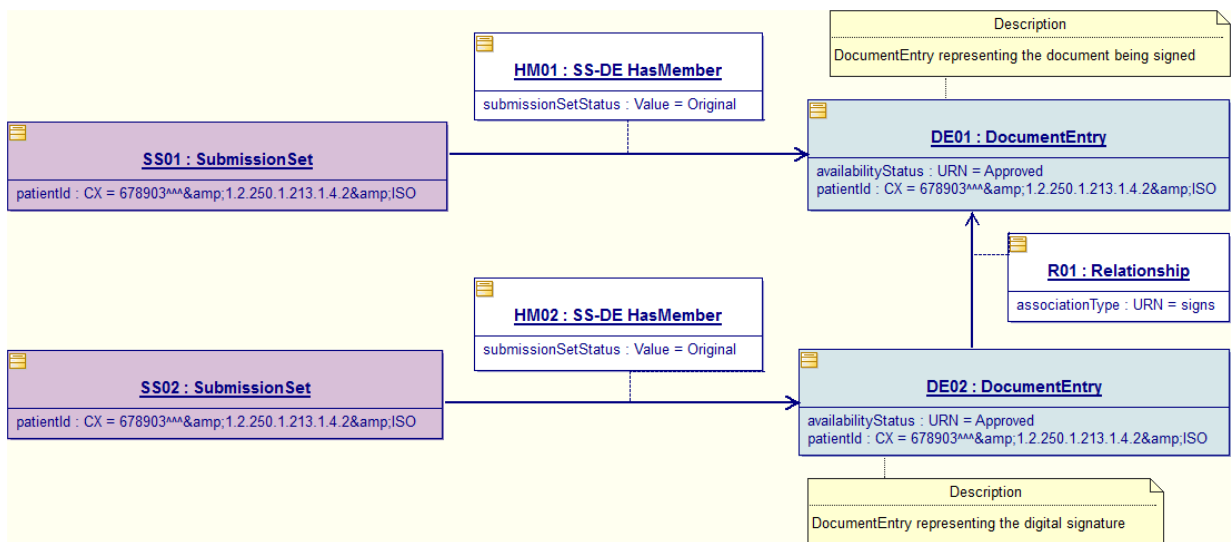


Figure 4.2.2.2.5-2: New DocumentEntry/Digital signature document signing the existing DocumentEntry/Document (Informative)

1130

4.2.2.2.6 IsSnapshotOf

When the content of an On-Demand DocumentEntry is retrieved, the retrieved version can be saved in a Document Repository as a Document and recorded in the Document Registry as a Stable DocumentEntry. When this happens, the saved version is linked to the On-Demand

1135 DocumentEntry through the IsSnapshotOf Association.

HL7, HEALTH LEVEL SEVEN and CDA are the registered trademarks of Health Level Seven International.

Example IsSnapshotOf Association

```
1140 <rim:Association
      associationType="urn:ihe:iti:2010:AssociationType:IsSnapshotOf"
      sourceObject="Snapshot"
      targetObject="urn:uuid:e0985823-dc50-45a5-a6c8-a11a829893bd" />
      <rim:ExtrinsicObject id="Snapshot"
        objectType="urn:uuid:7edca82f-054d-47f2-a032-9b2a5b5186c1">
        . . .
      </rim:ExtrinsicObject>
```

1145

This Association shall be submitted together with the Stable DocumentEntry representing the snapshot of the On-Demand Document. The sourceObject attribute references the snapshot and the targetObject references the On-Demand DocumentEntry already in the Document Registry.

The Document Registry Actor shall verify upon submission:

1150

- The sourceObject references a DocumentEntry in the submission
- The targetObject references a DocumentEntry in the Registry
- The targetObject DocumentEntry has availabilityStatus of Approved
- Verify that the objectType attribute of the sourceObject DocumentEntry is urn:uuid:7edca82f-054d-47f2-a032-9b2a5b5186c1 (Stable)

1155

- Verify that the objectType attribute of the targetObject DocumentEntry is urn:uuid:34268e47-fdf5-41a6-ba33-82133c465248 (On-Demand)

Note: this example does not show the SubmissionSet object or the SubmissionSet to DocumentEntry HasMember association.

4.2.3 Metadata Attributes

1160

This section details the coding of metadata attributes using in Document Sharing profiles.

4.2.3.1 General Information about Metadata Attributes

4.2.3.1.1 Attribute Value Length

1165

All attribute values are limited by the size specifications of ebRIM version 3.0. The ebRIM Slots are limited to 256 characters in length. Individual components of ebRIM Classification, ebRIM ExternalIdentifier, and ebRIM Name are strings, attributes, and Slots. Those that are ebRIM Slots are limited to 256 characters in length. The other components are naturally short (e.g., language).

HL7, HEALTH LEVEL SEVEN and CDA are the registered trademarks of Health Level Seven International.

4.2.3.1.2 Creating Coded Attributes

1170 Many attributes of DocumentEntry, SubmissionSet, and Folder (see Table 4.2.3.2-1, Table 4.2.3.3-1 and Table 4.2.3.4-1) are coded attributes defined as ebRIM Classifications. Three details are required to describe a coded value:

1. Code Value – contains the assigned value of the code.
2. Code Display Name - The display name used to represent the code (code values are not necessarily human-friendly). Must be non-zero length.
- 1175 3. Coding Scheme - The name/identification of the coding scheme that the code comes from.

These three values combine to define a single coded element. An example of a coded attribute in a submission request is:

```

1180 <rim:Classification
      classificationScheme="urn:uuid:41a5887f-8865-4c09-adf7-
e362475b143a"
      classifiedObject="ExampleDocument"
      id="IdExample_046"
      objectType="urn:oasis:names:tc:ebxml-
1185 regrep:ObjectType:RegistryObject:Classification"
      nodeRepresentation="10160-0">
    <rim:Name>
      <rim:LocalizedString value="History of Medication Use"/>
    </rim:Name>
1190 <rim:Slot name="codingScheme">
      <rim:ValueList>
        <rim:Value>2.16.840.1.113883.6.1</rim:Value>
      </rim:ValueList>
    </rim:Slot>
1195 </rim:Classification>
    
```

A code is constructed as a Classification object. The relevant parts of this classification are described in Table 4.2.3.1.2-1 below.

1200 **Table 4.2.3.1.2-1: Classifications and Descriptions**

Item	Description
Classification/@classificationScheme	This UUID defines which metadata attribute this Classification is supplying a value for. See Section 4.2.5 for a list of all values for this attribute. In the example above, this attribute indicates that the Classification contains a value for the DocumentEntry.classCode metadata attribute.
Classification/@classifiedObject	This references the object in metadata being classified. In the example this references the DocumentEntry object that the classCode value is for. Note that the Classification must also be embedded within the referenced object, thus providing dual context. This value must match the @id attribute of the containing ExtrinsicObject or

HL7, HEALTH LEVEL SEVEN and CDA are the registered trademarks of Health Level Seven International.

Item	Description
	RegistryPackage.
Classification/@id	UUID identifying this Classification.
Classification/@objectType	ebXML requires this for Query/Response type transactions but not for submissions. When required, contains the value shown "urn:oasis:names:tc:ebxml-regrep:ObjectType:RegistryObject:Classification"
Classification/@nodeRepresentation	The code value. Required. The example above shows a code value of "10160-0".
Name/LocalizedString/@value	The code displayName. The example above shows a display name of "History of Medication Use".
Slot/@name	Fixed value that must always be the string "codingScheme".
Slot/ValueList/Value/text()	The code codingScheme. Shall have exactly one value. In the example above it is "2.16.840.1.113883.6.1".

This Classification shall not contain other Slot, Name, Description, Classification, or External Identifier elements except as described above.

1205 The creating entity defines the local configuration for each coded metadata attribute. Specifically, it defines for each code:

Name of the coding scheme – shall be used in the codingScheme Slot.

Value for the code – shall be used in the nodeRepresentation attribute.

1210 **One or more display Name values for each code value** – A name shall be used in the Name element. It is expected, but not enforced, that the name should be semantically consistent with the code value. (This permits submitting using different local languages to a single Document Registry.)

Some coded attributes allow multiple values. EventCodeList is an example. These attributes may contain the letters 'List' in their name. These codes are XML encoded identically to the above example except the entire Classification element may be repeated to specify additional values.

1215 Note: the attribute DocumentEntry.languageCode attributed is not encoded as a coded attribute as shown above. See Table 4.2.3.1.7-2 for details.

1220 Note: The same code value may have multiple valid human readable representations in different languages or in different, but semantically equivalent, wording. An XDS Affinity Domain MAY restrict the displayName values it accepts from XDS Document Sources to a list of allowed values. It is the XDS Document Consumer's responsibility to resolve code values in metadata into human readable display values. A XDS Document Consumer may use the displayName found in the metadata provided by the XDS Document Source, or it may choose another local designation for the code, for example to translate it from English into French.

4.2.3.1.3 Creating External Identifiers

1225 Several attributes of DocumentEntry, SubmissionSet and Folder (Table 4.2.3.2-1, Table, 4.2.3.3-1 and Table 4.2.3.4-1) are identifiers defined as ebRIM ExternalIdentifiers. These identifiers,

HL7, HEALTH LEVEL SEVEN and CDA are the registered trademarks of Health Level Seven International.

such as patient IDs or document unique IDs are considered to be real-world identifiers that have global meaning external to an ebXML registry or other transaction.

The identifiers consist of a single, opaque string stored in the value attribute of an ExternalIdentifier element. The meaning and format depend on the particular identifier. An example of an identifier in a submission request is:

1230

1235

1240

```
<rim:ExternalIdentifier
  identificationScheme="urn:uuid:6b5aea1a-874d-4603-a4bc-96a0a7b38446"
  value="6578946^^^&1.3.6.1.4.1.21367.2005.3.7&ISO"
  id="IdExample_051"
  objectType="urn:oasis:names:tc:ebxml-
  regrep:ObjectType:RegistryObject:ExternalIdentifier"
  registryObject="DocumentEntry01">
  <rim:Name>
    <rim:LocalizedString value="XSDDocumentEntry.patientId"/>
  </rim:Name>
</rim:ExternalIdentifier>
```

Table 4.2.3.1.3-1: Identifiers and Descriptions

Item	Description
ExternalIdentifier/@identificationScheme	Fixed value denoting the specific identifier. See Section 4.2.5 for a list of valid values.
ExternalIdentifier/@value	The identifier value.
ExternalIdentifier/@id	UUID identifying this ExternalIdentifier.
ExternalIdentifier/@objectType	ebXML requires this for Query/Response type transactions but not for submissions. When required, contains the value: "urn:oasis:names:tc:ebxml-regrep:ObjectType:RegistryObject:ExternalIdentifier"
ExternalIdentifier/@registryObject	This references the object in metadata being identified. In the example this references the DocumentEntry object that the patient identifier value is for. Note that the ExternalIdentifier element must also be embedded within the referenced object, thus providing dual context. This value must match the @id attribute of the containing ExtrinsicObject or RegistryPackage.
Name/LocalizedString/@value	The readable name for the identifier. Fixed value according to the particular identifier.

1245

This ExternalIdentifier shall not contain other Slot, Name, Description, Classification, or External Identifier elements except as described above.

4.2.3.1.4 Creating Author Attribute

The author attributes of DocumentEntry and SubmissionSet represent the humans and/or machines that authored the document or SubmissionSet. The author attribute defines a structure to hold its sub-attributes that are individually defined in Sections 4.2.3.1.4.1 through 4.2.3.1.4.5.

1250

HL7, HEALTH LEVEL SEVEN and CDA are the registered trademarks of Health Level Seven International.

- authorPerson – zero or one
- authorInstitution – zero or more
- authorRole – zero or more
- authorSpecialty – zero or more

- 1255 • authorTelecommunication – zero or more

At least an authorPerson, authorTelecommunication or authorInstitution sub-attribute shall be present when the author attribute is included in the metadata.

Coding:

- 1260 The author attribute is as an ebRIM Classification which contains sub-attributes in ebRIM Slots. An instance of the author Classification shall be considered a single author. Multiple authors are valid and are represented by multiple author ebRIM Classification objects. For the author metadata attribute, the value of classificationScheme is different for DocumentEntries and SubmissionSets; see Sections 4.2.3.2.1 and 4.2.3.3.1, respectively. The nodeRepresentation attribute shall be empty.
- 1265 The following example shows the definition of a single author for a DocumentEntry.

```
1270 <rim:Classification
      classificationScheme="urn:uuid:93606bcf-9494-43ec-9b4e-a7748d1a838d"
      classifiedObject="ExampleDocument"
      id="IdExample_045"
      objectType="urn:oasis:names:tc:ebxml-
1275 regrep:ObjectType:RegistryObject:Classification"
      nodeRepresentation=""><!-- nodeRepresentation intentionally left blank-->
      <rim:Slot name="authorPerson">
        <rim:ValueList>
          <rim:Value>^Welby^Marcus^^MD^Dr</rim:Value>
        </rim:ValueList>
      </rim:Slot>
1280 <rim:Slot name="authorInstitution">
      <rim:ValueList>
        <rim:Value>Some Hospital^^^^^^^1.2.3.5.8.9.1789.45</rim:Value>
      </rim:ValueList>
      </rim:Slot>
1285 <rim:Slot name="authorRole">
      <rim:ValueList>
        <rim:Value>name of role</rim:Value>
      </rim:ValueList>
      </rim:Slot>
1290 <rim:Slot name="authorSpecialty">
      <rim:ValueList>
        <rim:Value>specialty of author</rim:Value>
      </rim:ValueList>
      </rim:Slot>
1295 <rim:Slot name="authorTelecommunication">
      <rim:ValueList>
        <rim:Value>^^Internet^john.doe@healthcare.example.org</rim:Value>
      </rim:ValueList>
      </rim:Slot>
1300 </rim:Classification>
```

The following example shows the definition of a single author for a SubmissionSet.

HL7, HEALTH LEVEL SEVEN and CDA are the registered trademarks of Health Level Seven International.

```
1305 <rim:Classification
      classificationScheme="urn:uuid:a7058bb9-b4e4-4307-ba5b-e3f0ab85e12d"
      classifiedObject="theSubmission"
      id="Id_045"
      objectType="urn:oasis:names:tc:ebxml-
1310 regrep:ObjectType:RegistryObject:Classification"
      nodeRepresentation=""><!-- nodeRepresentation intentionally left blank-->
      <rim:Slot name="authorPerson">
1315   <rim:ValueList>
     <rim:Value>^Welby^Marcus^^MD^Dr</rim:Value>
   </rim:ValueList>
  </rim:Slot>
  <rim:Slot name="authorInstitution">
1320   <rim:ValueList>
     <rim:Value>Some Hospital^^^^^^^^^1.2.3.5.8.9.1789.45</rim:Value>
   </rim:ValueList>
  </rim:Slot>
  <rim:Slot name="authorRole">
1325   <rim:ValueList>
     <rim:Value>name of role</rim:Value>
   </rim:ValueList>
  </rim:Slot>
  <rim:Slot name="authorSpecialty">
1330   <rim:ValueList>
     <rim:Value>specialty of author</rim:Value>
   </rim:ValueList>
  </rim:Slot>
  <rim:Slot name="authorTelecommunication"> <!-- may be multivalued -->
1335   <rim:ValueList>
     <rim:Value>^^Internet^john.doe@healthcare.example.org</rim:Value>
   </rim:ValueList>
  </rim:Slot>
</rim:Classification>
```

The author Classification shall not contain other Slot, Name, Description, Classification, or External Identifier elements except as described above.

4.2.3.1.4.1 authorInstitution

Description:

1340 Represents a specific healthcare facility under which the human and/or machines authored the document or SubmissionSet. This is a sub-attribute of the author attribute.

Coding:

The format of the authorInstitution value is XON. See Table 4.2.3.1.7-2 for description of XON format.

HL7, HEALTH LEVEL SEVEN and CDA are the registered trademarks of Health Level Seven International.

1345 The value is coded as an optional ebRIM Slot within an author Classification. See Section 4.2.3.1.4 for an example of author Classification. There may be multiple values within the ebRIM Slot.

This example shows the authorInstitution Slot with two elements reflecting two names for the same organization.

1350

```
<rim:Slot name="authorInstitution">
  <rim:ValueList>
    <rim:Value>MercyHospital</rim:Value>
    <rim:Value>NY Mercy Hospital^^^^^^^^^1.2.3.9.1789.45</rim:Value>
  </rim:ValueList>
</rim:Slot>
```

1355

4.2.3.1.4.2 authorPerson

Description:

1360 Represents the humans and/or machines that authored the document or SubmissionSet within the authorInstitution. The author may be the patient itself. This is a sub-attribute of the author attribute.

Coding:

1365 The format of the authorPerson value is XCN; see Table 4.2.3.1.7-2 for description of XCN format.

The value is coded as a required ebRIM Slot within an author Classification; see Section 4.2.3.1.4 for an example of author Classification. There may be only a single value within the ebRIM Slot.

This example shows the authorPerson Slot holding the required single value.

1370

```
<rim:Slot name="authorPerson">
  <rim:ValueList>
    <rim:Value>^Welby^Marcus^^MD^Dr</rim:Value>
  </rim:ValueList>
</rim:Slot>
```

1375

4.2.3.1.4.3 authorRole

Description:

1380 A string that represents the role of the author with respect to the patient at the time the document or SubmissionSet was created. This is a sub-attribute of the author attribute. If this is a coded value, it should follow the CX encoding in Table 4.2.3.1.7-2

Coding:

The format of the authorRole value is String.

1385 The value is coded as an optional ebRIM Slot within an author Classification. See Section 4.2.3.1.4 for an example of author Classification. There may be multiple values within the ebRIM Slot.

```
1390 <rim:Slot name="authorSpecialty">  
    <rim:ValueList>  
        <rim:Value>Cardiologist</rim:Value>  
    </rim:ValueList>  
</rim:Slot>
```

4.2.3.1.4.4 authorSpecialty

Description:

1395 Represents a specific specialty within a healthcare facility under which the human and/or machines authored the document or SubmissionSet. This is a sub-attribute of the author attribute. If this is a coded value, it should follow the CX encoding in Table 4.2.3.1.7-2.

Coding:

1400 The format of the authorSpecialty value is String.

The value is coded as an optional ebRIM Slot within an author Classification. See Section 4.2.3.1.4 for an example of author Classification. There may be multiple values within the ebRIM Slot.

```
1405 <rim:Slot name="authorSpecialty">  
    <rim:ValueList>  
        <rim:Value>Cardiology</rim:Value>  
    <rim:ValueList>  
</rim:Slot>
```

1410

4.2.3.1.4.5 authorTelecommunication

Description:

Represents the telecommunications address (e.g., email) of the document or SubmissionSet author. This is a sub-attribute of author.

1415 Coding:

The format of the authorTelecommunication value is XTN; see Table 4.2.3.1.7-2 for description of XTN format.

1420 The value is coded as an optional ebRIM Slot within an author Classification. See Section 4.2.3.1.4 for an example of author Classification. There may be multiple values within the ebRIM Slot.

```
1425 <rim:Slot name="authorTelecommunication">
  <rim:ValueList>
    <rim:Value>^^Internet^john.doe@healthcare.example.org</rim:Value>
  </rim:ValueList>
</rim:Slot>
```

4.2.3.1.5 UUIDs

1430 UUIDs shall be formatted according to [RFC 4122](#). Furthermore, values 10 through 15 shall be formatted in hexadecimal using only lower case ‘a’-‘f’. An example of a properly formatted UUID is:

```
urn:uuid:10b545ea-725c-446d-9b95-8aeb444eddf3
```

1435 Alternatively, symbolic Ids may be used when referencing objects in the same submission request. A symbolic Id is any string which does not start with urn:uuid:. For example, in XDS, a Document Source may create a submission request using symbolic Ids; the Document Registry replaces these with assigned properly formatted UUIDs upon acceptance of the submission.

Once a UUID-format Id value is assigned to a Registry Object, that value is permanent and shall not be changed.

4.2.3.1.6 Extra Metadata Attributes

1440 Metadata beyond what is specified in this volume may be specified by a creating entity. This extra metadata may be ignored by the recipient but its presence shall not cause an error.

The following conditions shall apply.

1. All extra metadata content shall be in the form of Slots.
 2. These Slots may be attached to SubmissionSet, DocumentEntry, Folder, or Association objects.
- 1445

HL7, HEALTH LEVEL SEVEN and CDA are the registered trademarks of Health Level Seven International.

3. Receiving actors shall ignore extra metadata elements they do not understand.
4. If an actor accepts extra metadata Slots (no warning on submission) then it shall return these Slots in query results.
5. The Name attribute of extra Slots shall conform to the following rules:
 - a) Name shall be a valid URN.
 - b) Name shall begin with 'urn:' prefix (formatted as a valid URN).
 - c) The prefix 'urn:ihe' shall not be used.
6. Note that ebRIM requires that the name of a Slot be unique within the containing object (DocumentEntry, SubmissionSet, Folder, or Association).

1450

1455 **4.2.3.1.7 Metadata Attribute Data types**

Several data types are used in the tables below describing the Document Entry, Folder and Submission Set metadata. These data types are derived from other standards, and encoded as described in Table 4.2.3.1.7-2.

1460 For the data types derived from HL7 standards, IHE Document Sharing Profiles require that the default HL7 separators in Table 4.2.3.1.7-1 be used to represent the structure of HL7 v2.5 data types:

Table 4.2.3.1.7-1: HL7 Separators

HL7 Separators	
Field Separator	
Component Separator	^
Subcomponent Separator	&
Repetition Separator	~

1465

Table 4.2.3.1.7-2: Data Types (previously Table 4.1-3)

Data Type	Source Standard	Encoding Specification
Code	ITI TF	See Section 4.2.3.1.2
CX	HL7 V2.5 Identifier	<p>This is an identifier. HL7 Identifier type CX consists of several components, but this specification restricts them to the use of two components, the Id Number, and the Assigning Authority (AA). The Assigning Authority identifies the "domain" over which the Id Number represents a unique entity. Furthermore, the AA is characterized by a Universal Id and Universal Id Type. In Document Sharing profiles, ISO Object Identifiers (see OID below) must be used as Universal Id. Therefore, Universal Id Type is always ISO. The required format is:</p> <p style="text-align: center;">IdNumber^^&OIDofAA&ISO</p> <p>No other values/modifications in other components or subcomponents are allowed. Specifically, components 2 and 3 shall be empty as listed above.</p>

HL7, HEALTH LEVEL SEVEN and CDA are the registered trademarks of Health Level Seven International.

Data Type	Source Standard	Encoding Specification
		<p>An explicit example is: 543797436^^^&1.2.840.113619.6.197&ISO Note that the '&' character must be properly encoded in the XML content.</p>
CXi	HL7 V2 Identifier	<p>This is an identifier of a reference object, distinct from the use of CX for Patient Identifiers. HL7 Identifier type CX consists of several components.</p> <ul style="list-style-type: none"> • CXi.1 shall be present and hold the identifier value. • CXi4 (Assigning Authority) shall be present when the identifier in CXi.1 is not globally unique and holds the identifier of the "domain" over which the ID Number represents a unique entity. It is formatted just like CX.4 in the CX datatype above. • CXi.5 (Identifier Type Code) shall be present and chosen from either a URN defined by IHE, or a locally defined value. • When the homeCommunityId is known, CX.6 shall be present and holds the homeCommunityId encoded as ISO. See CX.4 in the CX datatype above. • No other components shall be present. <p>The following IHE values for CXi.5 (Identifier Type Codes) are defined:</p> <p>urn:ihe:iti:xds:2013:uniqueId This code shall be used when the identifier is a uniqueID from Document Sharing metadata attribute. For example if uniqueID equals "1.3.6367.3.7^11379", and homeCommunityID is "1.2.3.4" then the CXi value is 11379^^^&1.3.6367.3.7&ISO^urn:ihe:iti:xds:2013:uniqueId^&1.2.3.4&ISO</p> <p>urn:ihe:iti:xds:2013:accession This code shall be used when the identifier is an accession number. It shall contain</p> <ul style="list-style-type: none"> • The accession number and • for accession values that are not globally unique, the Assigning Authority shall be included. <p>For example when the accession number has a value of "2013001" and the assigning authority is "1.2.3.4.5.6" then the CXi value is 2013001^^^&1.2.3.4.5.6&ISO^urn:ihe:iti:xds:2013:accession</p> <p>urn:ihe:iti:xds:2013:referral Referral number and assigning authority shall be present. For example: 201300001^^^1.2.3.4.5.6^urn:ihe:iti:xds:2013:referral</p> <p>urn:ihe:iti:xds:2013:order Order number and assigning authority shall be present. For example: 134467653^^^1.2.3.4.5.42.1^urn:ihe:iti:xds:2013:order</p> <p>urn:ihe:iti:xdw:2013:workflowId This code shall be used when the identifier is an XDW workflow</p>

HL7, HEALTH LEVEL SEVEN and CDA are the registered trademarks of Health Level Seven International.

IHE IT Infrastructure Technical Framework, Volume 3 (ITI TF-3): Cross-Transaction and Content Specifications

Data Type	Source Standard	Encoding Specification
		<p>identifier. The workflow identifier shall be an OID. Only the CXi.1 and CXi.5 component shall be present:</p> <p>For example, if the workflow identifier is "2.16.840.1" the value of referenceIdList attribute is:</p> <pre>2.16.840.1^^^^urn:ihe:iti:xdw:2013:workflowId</pre>
DTM	HL7 V2.5 Date Time	<p>This is a date/time value, represented as precisely as possible. All date time values in the registry are stored using Coordinated Universal Time [UTC]. "UTC" implies that time shall be converted from/to the local time.</p> <p>The format of these values is defined as the following regular expression: YYYY[MM[DD[hh[mm[ss]]]]]</p> <p>Where:</p> <p>YYYY is the four digit year i.e., 2006</p> <p>MM is the two digit month 01-12, where Jan is 01, Feb is 02, etc.</p> <p>DD is the two digit day of the month 01-31</p> <p>HH is the two digit hour, 00-23, where 00 is midnight, 01 is 1 am, 12 is noon, 13 is 1 pm, etc.</p> <p>mm is the two digit minute, 00-59</p> <p>ss is the two digit seconds, 00-59</p> <p>The following are legal date time values with increasing precision representing the date and time January 2, 2005, 3:04:05am</p> <pre>2005 200501 20050102 2005010203 200501020304 20050102030405</pre>
Field	HL7 V2.5 Message Segment	<p>Specified as the Field identifier, followed by a pipe () and then the data value characterized as a corresponding HL7 V2.5 data type as defined in HL7 standard. Note that if a Document Sharing data type is based on an HL7 data type, then the Document Sharing data type is used to represent the value.</p> <p>An example of field Patient Identifier List (the third field of PID segment) is as follows:</p> <pre>PID-3 DTP-1^^^&1.3.6.1.4.1.21367.2005.3.7& ISO</pre>
Integer	W3C XML Schema Part 2	XML Schema Part 2: Data Types Section 3.3.13
MIME Type	RFC 2046	https://www.iana.org/assignments/media-types
OID	ISO Object Identifier	<p>An ISO Object identifier. Limited in length to 64 characters, and made up of characters from the set [0-9.]. It must start with an integer, and is followed by one or more additional integer values, separated by periods. Integers are characterized without leading 0 digits unless the value is zero. (e.g., 1.3.6.1.4.1.21367.2005.3.7)</p> <p>In the attribute tables below, when an OID format is specified, it shall follow the assignment and format rules defined for document UID in ITI TF-2x: Appendix B</p>
OID URN	RFC 3061 , OID in URN syntax	See RFC 3061 . An example is urn:oid: 1.3.6.1.4.1.21367.2005.3.7.
Predefined URN	RFC 2141	Specific URNs are defined and assigned in this framework. An example is

HL7, HEALTH LEVEL SEVEN and CDA are the registered trademarks of Health Level Seven International.

IHE IT Infrastructure Technical Framework, Volume 3 (ITI TF-3): Cross-Transaction and Content Specifications

Data Type	Source Standard	Encoding Specification
		urn:ihe:iti:2007:ResponseStatusType:PartialSuccess
SHA1	RFC 3174	Document hash calculated with SHA1 algorithm. The encoding is the Lexical Representation of hexBinary ([0-9a-fA-F]).
String	XML	XML Schema Part 2: Data Types Section 3.2.1
URI	RFC 2616	Uniform Resource Identifier
UTF-8	RFC 3629	Unicode standard
UUID	RFC 4122	A DCE Universally Unique Identifier, represented in registry attributes using the URN syntax for UUIDs e.g.,urn:uuid:9e0110f8-4748-4f1e-b0a8-cecae32209c7 Some Document Sharing profiles may allow use of symbolic Ids in certain conditions or locations.
XCN	HL7 V2.5 Extended Person Name	This data type describes a person along with the identifier by which he is known in some domain (e.g., the XDS affinity domain), using the HL7 v2.5 XCN data type. This data type contains, amongst others: <ul style="list-style-type: none"> Identifier Last Name First Name Second and Further Given Names Suffix Prefix Assigning Authority All of the HL7 v2.5 fields may be specified as optional components with the following restrictions: Either name or an identifier shall be present. Inclusion of other components is optional provided the slot value length restrictions imposed by ebXML3.0, 256 characters, is not exceeded. If component 1 (Id Number) is specified, component 9 (Assigning Authority) shall be present if available. The XCN Component 9 is subject to the same the restrictions as defined for the CX data type component 4. Thus: the first subcomponent shall be empty, the second subcomponent must be an ISO OID (e.g., 1.2.840.113619.6.197), and the third subcomponent shall read 'ISO'. Any empty component shall be treated by the Document Registry as not specified. This is in compliance with HL7 v2.5. Trailing delimiters are recommended to be trimmed off. Receiving actors shall ignore trailing delimiters. This is in compliance with HL7 v2.5. An example of person name with Id number using this data type is as follows: 11375^Welby^Marcus^J^Jr. MD^Dr^^^&1.2.840.113619.6.197&ISO
XON	HL7 V2.5 Organization Name	This type provides the name and identification of an organization. This specification restricts the coding to the following fields: XON.1 – Organization Name – this field is required XON.6.2 – Assigning Authority Universal Id – this field is required if XON.10 is valued and not an OID XON.6.3 – Assigning Authority Universal Id Type – this field is required if XON.10 is valued and not an OID and shall have the value "ISO" XON.10 – Organization Identifier – this field is optional

HL7, HEALTH LEVEL SEVEN and CDA are the registered trademarks of Health Level Seven International.

Data Type	Source Standard	Encoding Specification
		<p>No other fields shall be specified. The XON data type in Document Sharing metadata results in a valid encoding of an HL7 v2.5 XON encoding, with the exception of length limitations. Component length restrictions are unobserved; however, the total length including delimiters shall not exceed the limit of the ebXML Slot Value.</p> <p>It is common for organizations to be uniquely identified by an OID. In such cases, the Organization (Identifier component 10) may contain the organization's OID. If the Organization Identifier is not an OID, the metadata use assumes that it has been assigned so that the composite Id created by combining components 6 and 10 is a unique identifier for the organization.</p> <p>Examples: Some Hospital Some Hospital^^^^^^^^1.2.3.4.5.6.7.8.9.1789.45 Some Hospital^^^^&1.2.3.4.5.6.7.8.9.1789&ISO^^^^45</p>
XTN	HL7 V2.5 Extended Telecommunications Number Chapter 2A Section 89	<p>This type provides the telecommunications address of an entity (for example author, intended recipient). This specification restricts the use to the following fields:</p> <p>For phone numbers: XTN.2 – Indicates the type of phone number (Optional) XTN.3 – The type of telecommunication address (Required) XTN.5 – Country Code (Optional) XTN.6 – Area/City Code (Optional) XTN.7 – Subscriber Number (Required) XTN.8 – Extension (Optional)</p> <p>For email addresses: XTN.2 – Optional. If present, SHALL have the value "NET". XTN.3 –SHALL have the value "Internet". XTN.4 – the telecommunications address, e.g., name@example.com (Required)</p> <p>No other fields shall be specified. The XTN data type in Document Sharing metadata results in a valid encoding of an HL7 V2.5 XTN data type. Use of ITU E.123 notation for telephone numbers is recommended.</p> <p>Example: ^^Internet^radiology@healthcare.example.org (e-mail address) ^PRS^PH^^31^(042) 1123 4567 (national phone number) ^PRS^PH^^^^+31 42 1123 4567 (international phone number)</p>

4.2.3.1.8 General format of DocumentEntry, Folder and SubmissionSet attribute tables

The metadata attribute definition tables each have five columns:

1470

1. The first column contains the name used to refer to the attribute in IHE documentation. It is not always related to the way the attribute is coded in eBRIM.

HL7, HEALTH LEVEL SEVEN and CDA are the registered trademarks of Health Level Seven International.

2. The second column contains a brief description of the attribute.
3. The third column identifies how the value of the attribute is coded. Table 4.2.3.1.7-2 lists all the possible types of data. In isolated instances a value may be complex enough to require a separate section to describe, in which case a reference to that section is included. For example, author.
4. The fourth column describes where to find the encoding of the attribute within the DocumentEntry/Folder/SubmissionSet. In other words, how the value of the attribute is held within the enclosing object. The possible values in this column are:

1475

1480

- **ebRIM Classification** – indicates that the attribute is coded as a classification object, see Section 4.2.3.1.2.
- **XML attribute** – indicates that the attribute is the value of an XML attribute of the enclosing object. For example:

1485

```
<rim:ExtrinsicObject ... id="urn:uuid:a6e06ca8-0c75-4064-9e5c-88b9045a96f6"
... >
```

Showing the entryUUID attribute coded as a value of the *idXML* attribute of the ExtrinsicObject representing the DocumentEntry. Note that the name of the attribute – entryUUID – is not referenced in its actual representation.

- **ebRIM Slot**– indicates that the attribute is encoded within a slot. For example:

1490

```
<rim:ExtrinsicObject ...>
<rim:Slot name="creationTime">
  <rim:ValueList>
    <rim:Value>20041225212010</rim:Value>
  </rim:ValueList>
</rim:Slot>
```

1495

Showing the creationTime attribute within a Slot of the ExtrinsicObject representing the Document Entry. In this case the name of the slot is the attribute name.

1500

- **ebRIM ExternalIdentifier**– indicates the value is held within an ExternalIdentifier object, using the XML element rim:ExternalIdentifier, providing an additional identifier to a registry object (see Section 4.2.3.1.3).
- **ebRIM Name**– indicates this attribute is held in an ebRIM Name object. For example the title attribute is:

1505

```
<rim:Name>
  <rim:LocalizedString value="ExampleTitle"/>
</rim:Name>.
```

- **ebRIM Description**– indicates this attribute is held in an ebRIM Description object. For example the comment attribute is:

HL7, HEALTH LEVEL SEVEN and CDA are the registered trademarks of Health Level Seven International.

1510

```
<rim:Description>
  <rim:LocalizedString value="ExampleComment"/>
</rim:Description>.
```

5. The fifth column links to a section which describes the attribute in more detail, including further detail and examples regarding its use and its coding.

4.2.3.1.9 Metadata Attribute Cardinality

1515

Metadata attributes have several dimensions of cardinality.

One dimension is whether or not any value is required, or the attribute is optional. This dimension is dependent on the profile, actor and transaction in which the attribute is being specified and is detailed in Sections 4.2.3.2, 4.2.3.3 and 4.2.3.4.

1520

Another dimension is the required handling of the receiving actor. This is specified within each transaction, or in the case of XDS Document Registry, Section 4.3.1.2.

1525

The last dimension of cardinality is whether the attribute can contain multiple values and, when multiple values are allowed, how multiple values are expressed. This is specified within the text explaining each of the attributes in Sections 4.2.3.2.1 through 4.2.3.2.27 for DocumentEntry, Sections 4.2.3.3.1 through 4.2.3.3.12 for SubmissionSet, and Sections 4.2.3.4.1 through 4.2.3.4.9 for Folder. The text indicates whether multiple values are allowed and, if they are allowed, how to express them. For example, for codes expressed using a Classification element, if multiple values are allowed they are coded by specifying multiple Classification elements.

4.2.3.1.10 classificationScheme vs. classificationNode

1530

Classification elements in ebRIM use one of two attributes: classificationScheme and classificationNode.

The attributes serve two different purposes:

- **classificationScheme**

1535

As the name suggests, the classificationScheme attribute specifies the category ("scheme") by which the referenced object is being classified. For example, classificationScheme="urn:uuid:cccf5598-8b07-4b77-a05e-ae952c785ead" indicates that a DocumentEntry is being classified by practiceSetting. The classificationScheme does not indicate WHICH practiceSetting applies; that information is recorded elsewhere in the Classification element.

1540

The use of classificationScheme corresponds with "external classifications", as described in ebRIM. This is the predominant type of classification in Document Sharing.

- **classificationNode**

The classificationNode attribute provides an actual classification for the referenced object. For example, classificationNode="urn:uuid:a54d6aa5-d40d-43f9-88c5-b4633d873bdd" indicates that a RegistryPackage is a SubmissionSet.

1545

The use of classificationNode corresponds with "internal classifications", as described in ebRIM. Document Sharing metadata uses this type of classification for three purposes:

- To label a RegistryPackage as a SubmissionSet
- To label a RegistryPackage as a Folder
- To label a SubmissionSet, Folder, or DocumentEntry as containing Limited Metadata

1550

4.2.3.2 DocumentEntry Attributes

The following metadata attributes shall be used to describe a Document Sharing DocumentEntry. Optionality is determined by specific transaction requirements; see Section 4.2.3.1.9.

Each attribute shown below is an attribute on the DocumentEntry object. The attribute name is defined with a prefix of the object type of DocumentEntry when referenced by other objects, for example DocumentEntry.patientId.

1555

Please see Section 4.2.3.1.8 for the general format of DocumentEntry, Folder and SubmissionSet attribute tables.

Table 4.2.3.2-1: DocumentEntry Metadata Attribute Definition (previously Table 4.1-5)

DocumentEntry Metadata Attribute	Description	Data Type (Table 4.2.3.1.7-2)	Coding (Section 4.2.3.1.8)	Detail (See Section)
author	The humans and/or machines that authored the document. This attribute contains the sub-attributes: authorInstitution, authorPerson, authorRole, authorSpecialty and authorTelecommunication.	See Section 4.2.3.2.1	ebRIM Classification	4.2.3.2.1
availabilityStatus	The lifecycle status of the DocumentEntry	Predefined URN	XML attribute	4.2.3.2.2
classCode	The code specifying the high-level use classification of the document type (e.g., Report, Summary, Images, Treatment Plan, Patient Preferences, Workflow).	Code	ebRIM Classification	4.2.3.2.3
comments	Comments associated with the Document.	String	ebRIM Description	4.2.3.2.4
confidentialityCode	The code specifying the level of confidentiality of the Document.	Code	ebRIM Classification	4.2.3.2.5
creationTime	The time the author created the document. Shall have a single value.	DTM	ebRIM Slot	4.2.3.2.6

HL7, HEALTH LEVEL SEVEN and CDA are the registered trademarks of Health Level Seven International.

IHE IT Infrastructure Technical Framework, Volume 3 (ITI TF-3): Cross-Transaction and Content Specifications

DocumentEntry Metadata Attribute	Description	Data Type (Table 4.2.3.1.7-2)	Coding (Section 4.2.3.1.8)	Detail (See Section)
entryUUID	A globally unique identifier used to identify the entry.	UUID	XML attribute	4.2.3.2.7
eventCodeList	This list of codes represents the main clinical acts, such as a colonoscopy or an appendectomy, being documented.	Code	ebRIM Classification	4.2.3.2.8
formatCode	Code globally uniquely specifying detailed technical the format of the document.	Code	ebRIM Classification	4.2.3.2.9
hash	Hash of the Document itself.	SHA1 hash	ebRIM Slot	4.2.3.2.10
healthcareFacility TypeCode	This code represents the type of organizational setting of the clinical encounter during which the documented act occurred.	Code	ebRIM Classification	4.2.3.2.11
homeCommunityId	A globally unique identifier for a community.	OID URN	home XML attribute	4.2.3.2.12
languageCode	Specifies the human language of character data in the document. Using codes from IETF RFC 5646	String	ebRIM Slot	4.2.3.2.13
legalAuthenticator	Represents a participant who has legally authenticated or attested the document within the authorInstitution.	XCN	ebRIM Slot	4.2.3.2.14
limitedMetadata	Indicates whether the Document Entry was created using the less rigorous requirements of metadata as defined for the Metadata-Limited Document Source.	4.2.3.2.29	ebRIM Classification	4.2.3.2.29
contentType	MIME type of the document.	MIME type	XML attribute	4.2.3.2.15
objectType	The type of DocumentEntry	UUID	XML attribute	4.2.3.2.30
patientId	The patientId represents the subject of care of the document.	CX	ebRIM ExternalIdentifier	4.2.3.1.3
practiceSettingCode	The code specifying the clinical specialty where the act that resulted in the document was performed (e.g., Family Practice, Laboratory, Radiology).	Code	ebRIM Classification	4.2.3.2.17
referenceIdList	A list of identifiers that apply to the document.	CXi	ebRIM Slot	4.2.3.2.28
repositoryUniqueId	The globally unique identifier of the repository where the document is stored.	OID	ebRIM Slot	4.2.3.2.18
serviceStartTime	The start time the service being documented took place.	DTM	ebRIM Slot	4.2.3.2.19
serviceStopTime	The stop time the service being documented took place.	DTM	ebRIM Slot	4.2.3.2.20
size	Size in bytes of the document.	Integer	ebRIM Slot	4.2.3.2.21
sourcePatientId	The sourcePatientId represents the subject of care medical record Identifier (e.g., Patient Id) in the local patient Identifier Domain of the Document Source.	CX	ebRIM Slot	4.2.3.2.22
sourcePatientInfo	This attribute contains demographic information of	CX	ebRIM Slot	4.2.3.2.23

HL7, HEALTH LEVEL SEVEN and CDA are the registered trademarks of Health Level Seven International.

DocumentEntry Metadata Attribute	Description	Data Type (Table 4.2.3.1.7-2)	Coding (Section 4.2.3.1.8)	Detail (See Section)
	the patient to whose medical record this document belongs.			
title	The title of the document.	UTF-8	ebRIM Name	4.2.3.2.24
typeCode	The code specifying the precise type of document from the user perspective (e.g., LOINC code).	Code	ebRIM Classification	4.2.3.2.25
uniqueId	The globally unique identifier assigned by the document creator to this document.	OID	ebRIM ExternalIdentifier	4.2.3.1.3
URI	The URI for the document.	URI	ebRIM Slot	4.2.3.2.27

1560 **4.2.3.2.1 DocumentEntry.author**

Description:

Represents the humans and/or machines that authored the document. See Section 4.2.3.1.4 for details on creating the structure.

The classificationScheme shall be urn:uuid:93606bcf-9494-43ec-9b4e-a7748d1a838d

1565 **4.2.3.2.2 DocumentEntry.availabilityStatus**

Description:

Represents the status of the DocumentEntry. A DocumentEntry shall have one of two availability statuses:

Approved: The document is available for patient care.

1570 Deprecated: The document is obsolete.

This attribute is typically omitted in a submission of new documents. If present in a submission, the submitted value is ignored. It is always set to Approved as a result of the successful submission of new documents. It may be changed to Deprecated under the primary responsibility of the creating entity.

1575 **Coding:**

The format of the availabilityStatus value is a URN.

In a query response the value is coded in the status attribute of the ExtrinsicObject representing the DocumentEntry and shall be "urn:oasis:names:tc:ebxml-regrep:StatusType:Approved" or "urn:oasis:names:tc:ebxml-regrep:StatusType:Deprecated". The example below shows the status attribute.

1580

HL7, HEALTH LEVEL SEVEN and CDA are the registered trademarks of Health Level Seven International.

1585

```
<ExtrinsicObject
  id="urn:uuid:fbeacdb7-5421-4474-9267-985007cd8855"
  objectType="urn:uuid:7edca82f-054d-47f2-a032-9b2a5b5186c1"
  status="urn:oasis:names:tc:ebxml-regrep:StatusType:Approved"
  >
  ...
```

4.2.3.2.3 DocumentEntry.classCode

1590

Description:

The code specifying the high-level use classification of the document type (e.g., Report, Summary, Images, Treatment Plan, Patient Preferences, Workflow). The typeCode specifies the precise type of document from the user perspective. Valid values for classCode attribute are specified by the policies of the creating entity. It is recommended that the creating entity draws these values from a coding scheme providing a coarse level of granularity (about 10 to 100 entries). For example, XDS specifies that the XDS Affinity Domain will establish this list.

1595

Coding:

There shall be exactly zero or one ebRIM Classification containing a classCode for any DocumentEntry. See Section 4.2.3.1.2 for a description of coding an ebRIM Classification. For the classCode metadata attribute, the classificationScheme shall be urn:uuid:41a5887f-8865-4c09-adf7-e362475b143a.

1600

The following example specifies classCode=10160-0 with display name "History of Medication Use" and coding scheme "2.16.840.1.113883.6.1" for the DocumentEntry labeled "ExampleDocument".

1605

HL7, HEALTH LEVEL SEVEN and CDA are the registered trademarks of Health Level Seven International.

```
1610 <rim:Classification
      classificationScheme="urn:uuid:41a5887f-8865-4c09-adf7-e362475b143a"
      classifiedObject="ExampleDocument"
      id="IdExample_046"
      objectType="urn:oasis:names:tc:ebxml-
      regrep:ObjectType:RegistryObject:Classification"
      nodeRepresentation="10160-0"
      >
1615 <rim:Name>
      <rim:LocalizedString
        value="History of Medication Use"/>
      </rim:Name>
      <rim:Slot name="codingScheme">
1620 <rim:ValueList>
      <rim:Value>2.16.840.1.113883.6.1</rim:Value>
      </rim:ValueList>
      </rim:Slot>
</rim:Classification>
```

1625 4.2.3.2.4 DocumentEntry.comments

Description:

Contains comments associated with the document.

Coding:

Max length is unbounded.

1630 The value of the comments attribute is coded in XML as the "value" attribute of the LocalizedString element within the ebRIM Description structure. There can be at most one ebRIM Description structure per DocumentEntry.

The following example shows a comment for the document.

```
1635 <rim:Description>
      <rim:LocalizedString value = "comment associated with the Document"/>
</rim:Description>
```

4.2.3.2.5 DocumentEntry.confidentialityCode

1640 **Description:**

The code specifying the security and privacy tags of the document. These codes are set by policy of the participants in the exchange, e.g., XDS affinity domain. confidentialityCode is part of a codification scheme.

HL7, HEALTH LEVEL SEVEN and CDA are the registered trademarks of Health Level Seven International.

1645 The confidentialityCode can carry multiple vocabulary items. HL7 has developed an understanding of security and privacy tags that might be desirable in a Document Sharing environment, called HL7 Healthcare Privacy and Security Classification System (HCS). The following specification is recommended but not mandated by IHE, as the vocabulary bindings are an administrative domain responsibility. The use of this method is up to the policy domain such as the XDS Affinity Domain or other Trust Domain where all parties including sender and recipients are trusted to appropriately tag and enforce.

- 1650
 - [1...1] Confidentiality Security Classification Label Field
 - [0...*] Sensitivity Security Category Label Field
 - [0...*] Compartment Security Category Label Field
 - [0...*] Integrity Security Category Label Field
- 1655
 - [0...*] Handling Caveat Security Category Field

In the HL7 Healthcare Privacy and Security Classification System In the HL7 Healthcare Privacy and Security Classification (HCS) there are code systems specific to Confidentiality, Sensitivity, Integrity, and Handling Caveats. Some values would come from a local vocabulary as they are related to workflow roles and special projects.

1660 The decision to include a code is the responsibility of the publisher/sender (e.g., Access Control decision) and is dependent on the Policy rules and Trust Framework in place for the exchange. Use of Sensitivity tags expose the nature of the sensitivity and should be used only when the end-to-end confidentiality of the tags can be assured.

When using the HL7 Healthcare Privacy and Security Classification System (HCS):

- 1665
 - The confidentialityCode SHALL contain exactly one value from the HL7 code system V:Confidentiality (@codeSystem="2.16.840.1.113883.5.25" i.e., U, L, M, N, R, or V), to indicate the Confidentiality coding of the content.
 - The value represents the most restrictive content in the identified document (aka. High water mark).
- 1670
 - The confidentialityCode MAY contain values from the HL7 code system V:InformationSensitivityPolicy (@codeSystem="2.16.840.1.113883.1.11.20428"), to indicate the Sensitivity coding of the content.
 - Multiple values are all applicable to the content. This means that a consuming system/user must have rights to all Sensitivity classes indicated.
- 1675
 - The confidentialityCode MAY contain values from the HL7 code system V:Compartment (@codeSystem="2.16.840.1.113883.1.11.20478"), to indicate the Compartment of the content.

- Multiple values are all applicable to the content. This means that a consuming system/user must have rights to all Compartments indicated.
- 1680
- The confidentialityCode MAY contain values from the HL7 code system V:SecurityIntegrityObservationValue (@codeSystem="2.16.840.1.113883.1.11.20469"), to indicate the Integrity of the content.
 - Multiple values are all applicable to the content.
- 1685
- The confidentialityCode MAY contain values from the HL7 code system V:SecurityControlObservationValue (@codeSystem="2.16.840.1.113883.1.11.20471"), to address the Handling Caveats that must be applied to the use of the content.
 - Multiple values all applicable to the content. A consuming system must enforce all Handling Caveats indicated.
- 1690
- Other value-sets and codesystems MAY be used as agreed between the communicating partners.

Coding:

Each confidentialityCode is coded within an ebRIM Classification object. See Section 4.2.3.1.2 for a description of coding an ebRIM Classification. There shall be zero or more ebRIM Classification containing a confidentiality code (some profiles require at least one). Multiple values of confidentialityCode are coded by specifying multiple classification objects. For the confidentialityCode metadata attribute, the classificationScheme shall be urn:uuid:f4f85eac-e6cb-4883-b524-f2705394840f.

1695

The following example shows two confidentialityCodes values. It specifies normal confidentiality with code "N", display name "Normal Clinical Data", and coding scheme "2.16.840.1.113883.5.25", and an obligation not to reuse with code "NOREUSE", display name "prohibit use beyond purpose of use", and coding scheme "2.16.840.1.113883.1.11.20471", for the DocumentEntry labeled "ExampleDocument".

1700

```
1705 <rim:Classification
      classificationScheme=
        "urn:uuid:f4f85eac-e6cb-4883-b524-f2705394840f"
      classifiedObject="ExampleDocument"
      id="IdExample_046"
      objectType="urn:oasis:names:tc:ebxml-
1710 regrep:ObjectType:RegistryObject:Classification"
      nodeRepresentation="N"
      <rim:Name>
        <rim:LocalizedString
          value="Normal Clinical Data"/>
1715 </rim:Name>
      <rim:Slot name="codingScheme">
        <rim:ValueList>
          <rim:Value>2.16.840.1.113883.5.25</rim:Value>
1720 </rim:ValueList>
        </rim:Slot>
      </rim:Classification>
      <rim:Classification
        classificationScheme=
1725 "urn:uuid:f4f85eac-e6cb-4883-b524-f2705394840f"
        classifiedObject="ExampleDocument"
        id="IdExample_046"
        objectType="urn:oasis:names:tc:ebxml-
          regrep:ObjectType:RegistryObject:Classification"
          nodeRepresentation="NOREUSE">
1730 <rim:Name>
          <rim:LocalizedString value="prohibit reuse beyond purpose of use"/>
          </rim:Name>
          <rim:Slot name="codingScheme">
            <rim:ValueList>
1735 <rim:Value>2.16.840.1.113883.1.11.20471</rim:Value>
            </rim:ValueList>
          </rim:Slot>
        </rim:Classification>
```

1740 **4.2.3.2.6 DocumentEntry.creationTime**

Description:

Represents the time the author created the document.

Coding:

1745 Max length is 256 characters. The format of the creationTime value is DTM; see Table 4.2.3.1.7-2 for a description of DTM format.

The value is coded as a single value within an ebRIM Slot in the DocumentEntry.

The following example shows a creationTime of December 25, 2004 21:20:10 Coordinated Universal Time (UTC).

```
1750 <rim:Slot name="creationTime">
      <rim:ValueList>
        <rim:Value>20041225212010</rim:Value>
      </rim:ValueList>
    </rim:Slot>
```

1755

4.2.3.2.7 DocumentEntry.entryUUID

Description:

entryUUID is a globally unique identifier primarily intended for internal document management purposes. In contrast, the uniqueId attribute is used for external references (e.g., links, etc.).

1760 **Coding:**

Max length is unbounded. The format of the entryUUID value is UUID. Certain Document Sharing transactions may allow symbolic Ids (anything that does not have the urn:uuid: prefix) to be used in certain conditions.

1765 The value of the entryUUID is coded in the id XML attribute on the ExtrinsicObject representing the DocumentEntry. In the example below, the entryUUID is urn:uuid:a6e06ca8-0c75-4064-9e5c-88b9045a96f6

```
1770 <rim:ExtrinsicObject mimeType="application/pdf"
      id="urn:uuid:a6e06ca8-0c75-4064-9e5c-88b9045a96f6"
      objectType="urn:uuid:7edca82f-054d-47f2-a032-9b2a5b5186c1"
    > ...
```

4.2.3.2.8 DocumentEntry.eventCodeList

Description:

1775 This list of codes represents the main clinical acts, such as a colonoscopy or an appendectomy, being documented. In some cases, the event is inherent in the typeCode, such as a "History and Physical Report" in which the procedure being documented is necessarily a "History and Physical" act. An event can further specialize the act inherent in the typeCode, such as where it is simply "Procedure Report" and the procedure was a "colonoscopy". When defining the value sets for eventCodes, they should not conflict with the values inherent in the classCode, practiceSettingCode or typeCode as such a conflict would create an ambiguous situation.

1780

Coding:

1785 The eventCodeList is coded with ebRIM Classification objects. See Section 4.2.3.1.2 for a description of coding an ebRIM Classification. There may be zero or more ebRIM Classifications containing a code and additional eventCode entries are coded by specifying multiple classification objects. For the eventCodeList metadata attribute, the classificationScheme shall be urn:uuid:2c6b8cb7-8b2a-4051-b291-b1ae6a575ef4.

1790 The following example specifies an eventCode="ExampleeventCode" with display name "eventCodeDisplayName" and coding scheme "Example Event Code Scheme" for the DocumentEntry labeled "ExampleDocument".

```
1795 <rim:Classification
      classificationScheme=
        "urn:uuid:2c6b8cb7-8b2a-4051-b291-b1ae6a575ef4"
      classifiedObject="ExampleDocument"
      id="IdExample_048"
      objectType="urn:oasis:names:tc:ebxml-
1800 regrep:ObjectType:RegistryObject:Classification"
      nodeRepresentation="ExampleeventCode"
    >
    <rim:Name>
      <rim:LocalizedString value="eventCodeDisplayName"/>
    </rim:Name>
    <rim:Slot name="codingScheme">
1805 <rim:ValueList>
      <rim:Value>Example Event Code Scheme</rim:Value>
    </rim:ValueList>
    </rim:Slot>
  </rim:Classification>
```

1810

4.2.3.2.9 DocumentEntry.formatCode

Description:

1815 The code specifying the detailed technical format of the document. Along with the typeCode, it should provide sufficient information to allow potential consumer to know if it will be able to process the document.

1820 The mimeType indicates the base format; the formatCode indicates the detailed-level technical format. The formatCode shall be sufficiently specific to ensure processing/display by identifying a document encoding, structure and template (e.g., for a CDA Document, the fact that it complies with a CDA schema, possibly a template and the choice of a content-specific style sheet). The formatCode is often an indicator of the IHE Document Content Profile to which the document conforms.

HL7, HEALTH LEVEL SEVEN and CDA are the registered trademarks of Health Level Seven International.

Format codes may be specified by multiple organizations. Format codes for Document Content Profiles defined by the ITI domain shall be in URN format and have names with the prefix

urn:ihe:iti:

1825 Format codes defined by other IHE domains shall have names with the prefix

urn:ihe:'domain initials':

Format codes defined by non-IHE domains should be a valid unique URN.

Coding:

1830 There shall be zero or one ebRIM Classification containing a formatCode. See Section 4.2.3.1.2 for a description of coding an ebRIM Classification. For the formatCode metadata attribute, the classificationScheme shall be urn:uuid:a09d5840-386c-46f2-b5ad-9c3699a4309d. Any valid URN may be used as a formatCode.

The following example using the XDS-SD document content profile specifies

1835 formatCode="urn:ihe:iti:xds-sd:pdf:2008" with display name "XDS-Scanned Documents" and coding scheme "urn" for the DocumentEntry labeled "ExampleDocument".

```
1840 <rim:Classification
      classificationScheme=
        "urn:uuid:a09d5840-386c-46f2-b5ad-9c3699a4309d"
      classifiedObject="ExampleDocument"
      id="IdExample_049"
      objectType="urn:oasis:names:tc:ebxml-
1845   regrep:ObjectType:RegistryObject:Classification"
      nodeRepresentation="urn:ihe:iti:xds-sd:pdf:2008"
    >
    <rim:Name>
      <rim:LocalizedString value="XDS-Scanned Documents"/>
    </rim:Name>
1850 <rim:Slot name="codingScheme">
      <rim:ValueList>
        <rim:Value>1.3.6.1.4.1.19376.1.2.3</rim:Value>
      </rim:ValueList>
    </rim:Slot>
1855 </rim:Classification>
```

4.2.3.2.10 DocumentEntry.hash

Description:

1860 The hash of the contents of the document. If this attribute is present in a transaction, it may be validated; the rules for validation are specified in the relevant profile. If this attribute is missing, it may be created using the rules in the relevant profile.

HL7, HEALTH LEVEL SEVEN and CDA are the registered trademarks of Health Level Seven International.

Coding:

Max length is 256 characters. The format of the hash value is SHA1 hash; see Table 4.2.3.1.7-2 for a description of SHA1.

1865 The value is coded as a case-insensitive single value within an ebRIM Slot in the DocumentEntry.

The following example shows a hash of da39a3ee5e6b4b0d3255bfef95601890afd80709.

```
1870 <rim:Slot name="hash">
    <rim:ValueList>
      <rim:Value>da39a3ee5e6b4b0d3255bfef95601890afd80709</rim:Value>
    </rim:ValueList>
  </rim:Slot>
```

1875 **4.2.3.2.11 DocumentEntry.healthcareFacilityTypeCode**

Description:

This code represents the type of organizational setting of the clinical encounter during which the documented act occurred.

1880 In some cases, the setting of the encounter is inherent in the typeCode, such as "Diabetes Clinic Progress Note". healthcareFacilityTypeCode shall be equivalent to or further specialize the value inherent in the typeCode; for example, where the typeCode is simply "Clinic Progress Note" and the value of healthcareFacilityTypeCode is "private clinic".

Coding:

1885 There shall be zero or one ebRIM Classification containing a healthcareFacilityTypeCode. See Section 4.2.3.1.2 for a description of coding an ebRIM Classification. For the healthcareFacilityTypeCode metadata attribute the classificationScheme shall be urn:uuid:f33fb8ac-18af-42cc-ae0e-ed0b0bdb91e1.

1890 The following example specifies healthcareFacilityTypeCode = "ExamplehealthcareFacilityTypeCode " with display name "healthcareFacilityTypeCodeDisplayName " and coding scheme "Example Healthcare Facility Scheme" for the DocumentEntry labeled "ExampleDocument".

HL7, HEALTH LEVEL SEVEN and CDA are the registered trademarks of Health Level Seven International.

```
1895 <rim:Classification
      classificationScheme=
1900   "urn:uuid:f33fb8ac-18af-42cc-ae0e-ed0b0bdb91e1"
      classifiedObject="ExampleDocument"
      id="IdExample_050"
      objectType="urn:oasis:names:tc:ebxml-
1905   regrep:ObjectType:RegistryObject:Classification"
      nodeRepresentation="ExamplehealthcareFacilityTypeCode">
      <rim:Name>
        <rim:value="healthcareFacilityTypeCodeDisplayName" />
      </rim:Name>
      <rim:Slot name="codingScheme">
1910   <rim:ValueList>
        <rim:Value>Example Healthcare Facility Scheme</rim:Value>
      </rim:ValueList>
      </rim:Slot>
    </rim:Classification>
```

4.2.3.2.12 DocumentEntry.homeCommunityId

Description:

A globally unique identifier for a community where the DocumentEntry and document can be accessed.

1915 **Coding:**

Max length is unbounded. Contained in the ebRS ExtrinsicObject home attribute for the ExtrinsicObject that corresponds to the DocumentEntry. It is an OID URN (see Table 4.2.3.1.7-2).

See ITI TF-2a: 3.18.4.1.2.3.8 and ITI TF-2b: 3.38.4.1.2.1.

```
1920 <rim:ExtrinsicObject home="urn:oid:1.2.3" ...>
      ...
    </rim:ExtrinsicObject>
```

1925 4.2.3.2.13 DocumentEntry.languageCode

Description:

Specifies the human language of character data in the document.

Coding:

1930 Max length is 256 characters. The values of the attribute are language identifiers as described by the IETF (Internet Engineering Task Force) [RFC 5646](#).

HL7, HEALTH LEVEL SEVEN and CDA are the registered trademarks of Health Level Seven International.

The value is coded as a single value within an ebRIM Slot in the DocumentEntry.

The following example shows a languageCode of en-CA.

1935

```
<rim:Slot name="languageCode">
  <rim:ValueList>
    <rim:Value>en-CA</rim:Value>
  </rim:ValueList>
</rim:Slot>
```

1940 **4.2.3.2.14 DocumentEntry.legalAuthenticator**

Description:

Represents a participant within the authorInstitution who has legally authenticated or attested the document. Legal authentication implies that a document has been signed manually or electronically by the legalAuthenticator.

1945 **Coding:**

Max length is 256 characters. This attribute shall be absent if not applicable. The value is coded as a single value within an ebRIM Slot in the DocumentEntry. The format of the legalAuthenticator value is XCN; see Table 4.2.3.1.7-2 for description of XCN format.

The following example shows a legalAuthenticator of ^Welby^Marcus^^^ Dr^MD.

1950

```
<rim:Slot name="legalAuthenticator">
  <rim:ValueList>
    <rim:Value>^Welby^Marcus^^^Dr^MD</rim:Value>
  </rim:ValueList>
</rim:Slot>
```

1955

4.2.3.2.15 DocumentEntry.mimeType

Description:

MIME type of the document in the Repository

1960 **Coding:**

Max length is unbounded. Shall have only a single value. Encoded in the ebRS ExtrinsicObject mimeType attribute for the ExtrinsicObject that corresponds to the DocumentEntry. See ebRS Schema RIM.XSD.

In this example the MIME type is “application/pdf”.

1965

HL7, HEALTH LEVEL SEVEN and CDA are the registered trademarks of Health Level Seven International.

```
<rim:ExtrinsicObject mimeType="application/pdf"
  id="ExampleDocument"
  objectType="urn:uuid:7edca82f-054d-47f2-a032-9b2a5b5186c1">
```

1970 **4.2.3.2.16 DocumentEntry.patientId**

Description:

The patientId represents the subject of care of the document. For XDS the patient identifier domain is the XDS Affinity Domain Patient Identifier Domain (XAD-PID).

1975 Within a submission request, the value of patientId of the DocumentEntries shall match that of the SubmissionSet.

Coding:

The format of the patientId value is CX, see Table 4.2.3.1.7-2.

It shall contain two parts:

1980 Assigning Authority Domain Id (organization that issued the Id),

An Id from the above Assigning Authority.

No other values are allowed, as specified for the CX type. Using HL7 terminology, no other values are allowed in the components of the coded value, nor are further subcomponents allowed.

1985 Coded as an ebRIM ExternalIdentifier. See Section 4.2.3.1.3 for a description of coding an ebRIM ExternalIdentifier. This element references, and is contained in, the ExtrinsicObject representing the DocumentEntry. There shall be zero or one patientId value.

In the example below the patientId is 6578946^^^&1.3.6.1.4.1.21367.2005.3.7&ISO where 6578946 is the ID and 1.3.6.1.4.1.21367.2005.3.7 is the assigning authority.

1990

HL7, HEALTH LEVEL SEVEN and CDA are the registered trademarks of Health Level Seven International.

1995

```
<rim:ExternalIdentifier
  identificationScheme=
    "urn:uuid:58a6f841-87b3-4a3e-92fd-a8ffeff98427"
  value="6578946^^^&1.3.6.1.4.1.21367.2005.3.7&ISO"
  id="IdExample_051"
  objectType="urn:oasis:names:tc:ebxml-
    regrep:ObjectType:RegistryObject:ExternalIdentifier"
  registryObject="DocumentEntry01">
<rim:Name>
  <rim:LocalizedString value="XSDSDocumentEntry.patientId "/>
</rim:Name>
</rim:ExternalIdentifier>
```

2000

2005

This ExternalIdentifier shall not contain other Slot, Name, Description, Classification, or External Identifier elements except as described above.

4.2.3.2.17 DocumentEntry.practiceSettingCode

Description:

2010

The code specifying the clinical specialty where the act that resulted in the document was performed (e.g., Family Practice, Laboratory, Radiology). It is suggested that the creating entity draws these values from a coding scheme providing a coarse level of granularity (about 10 to 100 entries).

Coding:

2015

There shall be zero or one ebRIM Classification containing a practiceSettingCode. See Section 4.2.3.1.2 for a description of coding an ebRIM Classification. For the practiceSettingCode metadata attribute, the classificationScheme shall be urn:uuid:cccf5598-8b07-4b77-a05e-ae952c785ead.

2020

The following example specifies practiceSettingCode="ExamplepracticeSettingCode" with display name "ExamplepracticeSettingCodeDisplayName" and coding scheme "Example Practice Setting Code Scheme" for the DocumentEntry labeled "ExampleDocument".


```
2025 <rim:Classification
      ClassificationScheme="urn:uuid:ccccf5598-8b07-4b77-a05e-ae952c785ead"
      classifiedObject="ExampleDocument "
      id="IdExample_052"
      objectType="urn:oasis:names:tc:ebxml-
2030 regrep:ObjectType:RegistryObject:Classification"
      nodeRepresentation="ExamplepracticeSettingCode">
      <rim:Name>
      <rim:LocalizedString
      value="ExamplepracticeSettingCodeDisplayName"/>
      </rim:Name>
      <rim:Slot name="codingScheme">
      <rim:ValueList>
2035   <rim:Value>Example Practice Setting Code Scheme</rim:Value>
      </rim:ValueList>
      </rim:Slot>
</rim:Classification>
```

4.2.3.2.18 DocumentEntry.repositoryUniqueId

2040 **Description:**

The globally unique, immutable, identifier of the repository where the document referenced by the Document Entry can be accessed. This unique identifier for the repository may be used to identify and connect to the specific repository to access the document.

Coding:

2045 Max length is 64 characters. The format of the repositoryUniqueId value is OID.

The value is coded as a single value within an ebRIM Slot in the DocumentEntry.

The following example shows a repositoryUniqueId of 1.3.6.1.4.5.

```
2050 <rim:Slot name="repositoryUniqueId">
      <rim:ValueList>
      <rim:Value>1.3.6.1.4.5</rim:Value>
      </rim:ValueList>
</rim:Slot>
```

2055 4.2.3.2.19 DocumentEntry.serviceStartTime

Description:

Represents the start time of the service being documented took place (clinically significant, but not necessarily when the document was produced or approved). This may be the same as the

2060 encounter time in case the service was delivered during an encounter. Encounter time is not coded in metadata but may be coded within the document.

Note: If needed, other times associated with the document, such as time of approval, are to be recorded within the document.

Coding:

2065 Max length is 256 characters. The format of the serviceStartTime value is DTM; see Table 4.2.3.1.7-2 for a description of DTM format.

The value is coded as a single value within an ebRIM Slot Attribute in the DocumentEntry.

The following example shows a creationTime of December 25, 2004 21:20:10 Coordinated Universal Time (UTC).

```
2070 <rim:Slot name="serviceStartTime">
    <rim:ValueList>
      <rim:Value>20041225212010</rim:Value>
    </rim:ValueList>
  </rim:Slot>
```

2075

4.2.3.2.20 DocumentEntry.serviceStopTime

Description:

2080 Represents the stop time of the service being documented took place (clinically significant, but not necessarily when the document was produced or approved). This may be the same as the encounter time in case the service was delivered during an encounter. Encounter time is not coded in metadata but may be coded within the document.

If the service happens at a point in time, this attribute shall contain the same value as the serviceStartTime.

Coding:

2085 Max length is 256 characters. The format of the serviceStartTime value is DTM; see Table 4.2.3.1.7-2 for a description of DTM format.

The value is coded as a single value within an ebRIM Slot Attribute in the DocumentEntry.

The following example shows a stop time of December 25, 2004 21:20:10 Coordinated Universal Time (UTC).

2090

```
<rim:Slot name="serviceStopTime">
  <rim:ValueList>
    <rim:Value>20041225232010</rim:Value>
  </rim:ValueList>
</rim:Slot>
```

2095

4.2.3.2.21 DocumentEntry.size

Description:

Size in bytes of the byte stream that comprises the document.

Coding:

2100 Max length of the encoded size is 256 characters. Coded as an ebRIM Slot. Shall have only a single value.

The following example shows a size value of 3654 bytes.

2105

```
<rim:Slot name="size">
  <rim:ValueList>
    <rim:Value>3654</rim:Value>
  </rim:ValueList>
</rim:Slot>
```

2110 4.2.3.2.22 DocumentEntry.sourcePatientId

Description:

The sourcePatientId represents the subject of care's medical record Identifier (e.g., Patient Id) in the local patient identifier domain of the creating entity.

Coding:

2115 Max length is 256 characters. Coded as an ebRIM Slot with the value encoded according the HL7 v2.5 CX datatype (See Table 4.2.3.1.7-2). Shall contain zero or one value.

It shall contain only two parts:

An Id (e.g., Patient Id CX.1).

The Authority Domain Id that assigned the Id (CX.4).

2120 All other CX components shall be omitted.

```
2125 <rim:Slot name="sourcePatientId">
  <rim:ValueList>
    <rim:Value>j98789^^^&1.2.3.4.343.1&ISO</rim:Value>
  </rim:ValueList>
</rim:Slot>
```

4.2.3.2.23 DocumentEntry.sourcePatientInfo

Description:

2130 This attribute contains demographics information at the time of submission of the patient to whose medical record this document belongs.

This information typically includes: the patient first and last name, sex, and birth date. Policies at the creating entity may require more or less specific information and format.

2135 This patient information is not intended to be updated once the document is registered (just as the document content and metadata itself will not be updated without replacing the previous document). As sourcePatientInfo may have been updated by the source actor, it may no longer be in use within the Document Source (EHR-CR). It is only intended as an audit/checking mechanism and has occasional use for Document Consumer Actors.

Coding:

2140 Max length is 256 characters. Coded as an ebRIM Slot. Shall contain zero or one value list of demographic elements, where each element in the list is identified by fields from the HL7 PID segment (See HL7 v2.5, chapter 3, Section 3.4.2).

```
2145 <rim:Slot name="sourcePatientInfo">
  <rim:ValueList>
    <rim:Value>PID-3|DTP-1^^^&1.3.6.1.4.1.21367.2005.3.7&ISO</rim:Value>
    <rim:Value>PID-5|DICTAPHONE^ONE^^^</rim:Value>
    <rim:Value>PID-7|19650120</rim:Value>
    <rim:Value>PID-8|M</rim:Value>
  2150 <rim:Value>PID-11|100 Main St^^BURLINGTON^MA^01803^USA</rim:Value>
  </rim:ValueList>
</rim:Slot>
```

sourcePatientInfo should include values for:

- 2155 • PID-3 (source patient identifier list. A list uses the repetition separator ~, for example: DTP 1^^^&1.3.6&ISO~XTP1^^^&1.3.11&ISO.)
- PID-5 (source patient name)
- PID-7 (source patient date of birth)

HL7, HEALTH LEVEL SEVEN and CDA are the registered trademarks of Health Level Seven International.

- PID-8 (source patient gender)

2160 M – Male F – Female

O – Other U – Unknown

sourcePatientInfo should not include values for PID-2 (patient id), PID-4 (alternate patient id), PID-12 (country code), or PID-19 (social security number).

4.2.3.2.24 DocumentEntry.title

2165 Description:

Represents the title of the document.

Clinical documents often do not have a title, in such case the classCode (e.g., a "consultation" or "progress note") is often used as the title. In that case, the title is usually omitted.

Coding:

2170 The format of DocumentEntry.title shall be any string of length less than 128 characters.

DocumentEntry.title is represented in ebXML as the "value" attribute of the LocalizedString element within the ebRIM Name structure. There can be only one ebRIM Name structure per DocumentEntry.

The following example shows a title for the DocumentEntry.

2175

```
<rim:ExtrinsicObject
  id="ExampleDocument"
  objectType="urn:uuid:7edca82f-054d-47f2-a032-9b2a5b5186c1"
  mimeType="application/pdf">
  <rim:Name>
    <rim:LocalizedString value="Example Document Title"/>
  </rim:Name>
  ...
</rim:ExtrinsicObject>
```

2180

2185

4.2.3.2.25 DocumentEntry.typeCode

Description:

2190 The code specifying the precise type of document from the user perspective. It is recommended that the creating entity draw these values from a coding scheme providing a fine level of granularity such as LOINC.

Coding:

Coded as an ebRIM classification. See Section 4.2.3.1.2 for a description on creating classifications. Shall have zero or one value.

HL7, HEALTH LEVEL SEVEN and CDA are the registered trademarks of Health Level Seven International.

2195 The following example specifies typeCode="ExemplotypeCode" with display name "typeCodeDisplayName" and coding scheme " Example Type Code Scheme " for the DocumentEntry labeled "ExampleDocument".

```
2200 <rim:Classification
      classificationScheme="urn:uuid:f0306f51-975f-434e-a61c-c59651d33983"
      classifiedObject="ExampleDocument"
      nodeRepresentation="ExemplotypeCode"
      id="IdExample_053"
      objectType="urn:oasis:names:tc:ebxml-
2205 regrep:ObjectType:RegistryObject:Classification">
      <rim:Name>
        <rim:LocalizedString value="typeCodeDisplayName" />
      </rim:Name>
      <rim:Slot name="codingScheme">
        <rim:ValueList>
2210   <rim:Value>Example Type Code Scheme</rim:Value>
        </rim:ValueList>
      </rim:Slot>
    </rim:Classification>
```

2215 **4.2.3.2.26 DocumentEntry.uniqueId**

Description:

Globally unique identifier assigned to the document by the creating entity.

2220 A DocumentEntry representing a single document is identified by the uniqueId attribute; the linkage between DocumentEntry and the document it represents is made with the uniqueId attribute.

This unique identifier may be used in other documents to reference this document.

2225 Two documents MAY be assigned the same uniqueId if the documents have the same byte sequence, but they SHALL NOT be assigned the same uniqueId if the documents have different byte sequences when communicated via a Document Sharing protocol. The size and hash metadata attributes allow for a quick comparison, so it is adequate to treat two documents as having the same byte sequence if their size and hash attributes are the same.

2230 For formats where different byte sequences can be functionally equivalent (XML, for example, where whitespace between elements is ignored), it is important to note that documents with different byte sequences SHALL have different uniqueIds even if they are functionally equivalent when communicated via a Document Sharing protocol.

Coding:

The format of the DocumentEntry.uniqueId value is OID see Table 4.2.3.1.7-2.

HL7, HEALTH LEVEL SEVEN and CDA are the registered trademarks of Health Level Seven International.

2235 Coded as an ebRIM ExternalIdentifier (see Section 4.2.3.1.3 for a description of coding an ebRIM ExternalIdentifier) which references, and is contained in, the ExtrinsicObject representing the DocumentEntry. There shall be only a single uniqueId value.

2240 The structure and format of this Id shall be consistent with the specification corresponding to the formatCode attribute. (e.g., for a DICOM standard document a 64 character numeric UID, for an HL7 CDA format a serialization of the CDA Document Id extension and root in the form oid^extension, where OID is a 64 digits max, and the Id is a 16 UTF-8 char max. If the OID is coded without the extension then the '^' character shall not be included.)

```
2245 <rim:ExternalIdentifier
      identificationScheme="urn:uuid:2e82c1f6-a085-4c72-9da3-8640a32e42ab"
      value="1.2.3.4.5.6.78901.2345.6.7^123456"
      id="IdExample_054"
      objectType="urn:oasis:names:tc:ebxml-
2250 regrep:ObjectType:RegistryObject:ExternalIdentifier"
      registryObject="DocumentEntry01">
      <rim:Name>
      <rim:LocalizedString value="XDSDocumentEntry.uniqueId"/>
      </rim:Name>
    </rim:ExternalIdentifier>
```

4.2.3.2.27 DocumentEntry.URI

2255 **Description:**

The URI attribute contains the URI for the document.

Coding:

Coded as an ebRIM Slot. Shall have only a single value. Max length is 256 characters.

```
2260 <rim:Slot name="URI">
      <rim:ValueList>
      <rim:Value>DOC001.XML</rim:Value>
      </rim:ValueList>
    </rim:Slot>
```

2265

4.2.3.2.28 DocumentEntry.referenceIdList

Description:

This list contains zero or more Identifiers. These Identifiers may be internal or external identifiers, e.g., Identifiers may be Accession Numbers, Order Numbers, Referral Request

HL7, HEALTH LEVEL SEVEN and CDA are the registered trademarks of Health Level Seven International.

2270 Identifiers, XDS Workflow Instance Identifiers, etc. The referenceIdList contains Identifiers CXI encoded, as specified in Table 4.2.3.1.7-2.

XDS Document Registry Actors supporting the ReferenceId Option shall preserve this value. When the ReferenceId Option is not declared, the Document Registry shall handle this extra metadata according to the historic rules outlined in Section 4.2.3.1.6 “Extra Metadata Elements”.

2275 **Coding:**

Coded as an ebRIM Slot. May have multiple values. Max length for each value is 256 characters.

The name of the slot in the metadata shall be “urn:ihe:iti:xds:2013:referenceIdList”.

For example encoding two values in the referenceIdList:

```
2280 <rim:Slot name="urn:ihe:iti:xds:2013:referenceIdList ">
    <rim:ValueList>
      <rim:Value>
2285 2013001^^^&1.2.3.4.5.6&ISO^urn:ihe:iti:xds:2013:accession
      </rim:Value>
      <rim:Value>
2285 1.2.3.12.78.23^^^urn:ihe:iti:xds:2013:uniqueId^&1.2.3.4&ISO
      </rim:Value>
    </rim:ValueList>
  </rim:Slot>
```

2290

4.2.3.2.29 DocumentEntry.limitedMetadata

Description:

Indicates whether the Document Entry was created using the less rigorous requirements of metadata as defined for the Metadata-Limited Document Source.

2295 **Coding:**

The Document Entry is flagged using an ebRIM Classification with a classificationNode of urn:uuid:ab9b591b-83ab-4d03-8f5d-f93b1fb92e85.

The following example marks the “DocEntry” Document Entry as created via the less rigorous metadata requirements.

```
2300 <ExtrinsicObject id="DocEntry">
  (...)
  <Classification classifiedObject="DocEntry"
    classificationNode="urn:uuid:ab9b591b-83ab-4d03-8f5d-f93b1fb92e85" />
2305 (...)
</ExtrinsicObject>
```


4.2.3.2.30 DocumentEntry.objectType

Description:

2310 The objectType attribute reflects the type of DocumentEntry. As described in Section 4.1.1, there are two DocumentEntry types: Stable Document Entry and On-Demand Document Entry. A Stable Document Entry contains metadata about an already created document available for retrieval is an Document Entry and is designated by setting objectType equal to the UUID for Stable (see Section 4.2.5.2 for the UUID). An On-Demand DocumentEntry contains metadata
 2315 which can be used to create an on-demand document which collects the latest, most recent available information at the time of retrieval. It is designed by setting an objectType equal to the UUID for on-demand (see Section 4.2.5.2 for the UUID).

Coding:

Max length is unbounded. The format of the objectType value is UUID.

2320 The value of the objectType is coded in the objectType XML attribute on the ExtrinsicObject representing the DocumentEntry. In the example below, the objectType is urn:uuid:7edca82f-054d-47f2-a032-9b2a5b5186c1 and reflects a stable DocumentEntry.

```
2325 <rim:ExtrinsicObject mimeType="application/pdf"
    id="urn:uuid:a6e06ca8-0c75-4064-9e5c-88b9045a96f6"
    objectType="urn:uuid:7edca82f-054d-47f2-a032-9b2a5b5186c1"
    > ...
```

4.2.3.3 SubmissionSet Attributes

2330 The following metadata elements shall be used to describe a SubmissionSet.

Each attribute shown is an attribute on the RegistryPackage object defining the SubmissionSet. The attribute name is defined with a prefix of the object type of SubmissionSet when referenced by other objects, for example SubmissionSet.sourceId.

2335 Please see Section 4.2.3.1.8 for the General format of DocumentEntry, Folder and SubmissionSet attribute tables.

Table 4.2.3.3-1: Submission Set Metadata Attribute Definitions (previously Table 4.1-6)

SubmissionSet Metadata Attribute	Description	Form	Coding	Detail
author	The humans and/or machines that authored the document in the SubmissionSet. This attribute contains the sub-attributes: authorInstitution, authorPerson, authorRole, authorSpecialty.	4.2.3.3.1	ebRIM Classification	4.2.3.3.1

HL7, HEALTH LEVEL SEVEN and CDA are the registered trademarks of Health Level Seven International.

SubmissionSet Metadata Attribute	Description	Form	Coding	Detail
availabilityStatus	The lifecycle status of the SubmissionSet	Predefined URN	XML attribute	4.2.3.3.2
comments	Comments associated with the SubmissionSet.	String	ebRIM Description	4.2.3.3.3
contentTypeCode	The code specifying the type of clinical activity that resulted in placing the documents in this SubmissionSet.	Code	ebRIM Classification	4.2.3.3.4
entryUUID	A globally unique identifier used to identify the SubmissionSet.	UUID	XML attribute	4.2.3.3.5
homeCommunityId	A globally unique identifier for a community.	OID URN	home XML attribute	4.2.3.3.6
intendedRecipient	The organization(s) or person(s) for whom the SubmissionSet is intended.	See 4.2.3.3.7	ebRIM Slot	4.2.3.3.7
limitedMetadata	A flag that the associated SubmissionSet was created using the less rigorous metadata requirements as defined for the Metadata-limited Document Source.	See 4.2.3.3.13	ebRIM Classification	4.2.3.3.13
patientId	The patientId represents the subject of care whose longitudinal record is being reflected in this SubmissionSet.	CX	ebRIM ExternalIdentifier	4.2.3.3.8
sourceId	OID identifying the instance of the creating entity that contributed the SubmissionSet.	OID	ebRIM ExternalIdentifier	4.2.3.3.8
submissionTime	Point in time at the creating entity when the SubmissionSet was created.	DTM	ebRIM Slot	4.2.3.3.10
title	The title of the SubmissionSet.	UTF-8	ebRIM Name	4.2.3.3.11
uniqueId	A globally unique identifier for the SubmissionSet assigned by the creating entity.	OID	ebRIM ExternalIdentifier	4.2.3.3.12

4.2.3.3.1 SubmissionSet.author

2340

Description:

Represents the humans and/or machines that authored the submission set. See Section 4.2.3.1.4 for details on creating the structure.

The classificationScheme shall be `urn:uuid:a7058bb9-b4e4-4307-ba5b-e3f0ab85e12d`

4.2.3.3.2 SubmissionSet.availabilityStatus

2345

Description:

HL7, HEALTH LEVEL SEVEN and CDA are the registered trademarks of Health Level Seven International.

Represents the status of the SubmissionSet. Since the deprecation of SubmissionSets is not allowed, this value shall always be Approved.

Coding:

The availabilityStatus value shall be "urn:oasis:names:tc:ebxml-regrep:StatusType:Approved".

2350

```
<rim:RegistryPackage
  id="urn:uuid:fbeacdb7-5421-4474-9267-985007cd8855"
  status="urn:oasis:names:tc:ebxml-regrep:StatusType:Approved"
> ...
```

2355

4.2.3.3.3 SubmissionSet.comments

Description:

Contains comments associated with the SubmissionSet.

Coding:

2360

Max length is unbounded. The value of the comments attribute is coded in XML as the "value" attribute of the LocalizedString element within the ebRIM Description structure. There can be at most one ebRIM Description structure per SubmissionSet.

The following example shows a comment for the SubmissionSet.

2365

```
<rim:Description>
  <rim:LocalizedString value = "comment associated with SubmissionSet"/>
</rim:Description>
```

4.2.3.3.4 SubmissionSet.contentTypeCode

2370

Description:

The code specifying the type of clinical activity that resulted in placing these DocumentEntries, Folders, and/or Associations in this SubmissionSet. These values are to be drawn from a vocabulary defined by the creating entity that contributed the SubmissionSet.

Coding:

2375

Coded as an ebRIM Classification. See Section 4.2.3.1.2 for a description of coding an ebRIM Classification. Shall have zero or one value

The following example specifies contentTypeCode="ExamplecontentTypeCode" with display name "Example contentTypeCodeDisplayName" and coding scheme "Example contentTypeCode Scheme" for the SubmissionSet labeled "ExampleSubmissionSet".

HL7, HEALTH LEVEL SEVEN and CDA are the registered trademarks of Health Level Seven International.

2380

```
<rim:Classification
  classificationScheme="urn:uuid:aa543740-bdda-424e-8c96-df4873be8500"
  classifiedObject="ExampleSubmissionSet"
  id="IdExample_056"
  objectType="urn:oasis:names:tc:ebxml-
2385 regrep:ObjectType:RegistryObject:Classification"
  nodeRepresentation="ExamplecontentTypeCode"
  >
  <rim:Name>
2390   <rim:LocalizedString value="Example contentTypeCodeDisplayName" />
  </rim:Name>
  <rim:Slot name="codingScheme">
    <rim:ValueList>
2395     <rim:Value>Example Specific Value</rim:Value>
    </rim:ValueList>
  </rim:Slot>
</rim:Classification>
```

4.2.3.3.5 SubmissionSet.entryUUID

2400 entryUUID is a globally unique identifier primarily intended for internal document management purposes. In contrast, the uniqueId attribute is used for external references (e.g., links, etc.).

Coding:

The format of the entryUUID value is UUID. Certain Document Sharing transactions may allow symbolic Ids (any string that does not have the urn:uuid: prefix) to be used.

2405 The value of the entryUUID is coded in the id XML attribute on the RegistryPackage representing the Submission Set. In the example below, the entryUUID is urn:uuid:a6e06ca8-0c75-4064-9e5c-88b9045a96f6

2410

```
<rim:RegistryPackage
  id="urn:uuid:a6e06ca8-0c75-4064-9e5c-88b9045a96f6"
  objectType=
2415   "urn:oasis:names:tc:ebxml-
  regrep:ObjectType:RegistryObject:RegistryPackage"
  > ...
```

2415

4.2.3.3.6 SubmissionSet.homeCommunityId

Description:

A globally unique identifier for a community.

Coding:

- 2420 The ebRIM RegistryPackage home attribute for the RegistryPackage that corresponds to the SubmissionSet. It is an OID URN. See Table 4.2.3.1.7-2.
See ITI TF-2a: 3.18.4.1.2.3.8 and ITI TF-2b: 3.38.4.1.2.1.

```
2425 <rim:RegistryPackage home="urn:oid:1.2.3" ...>  
    ...  
</rim:RegistryPackage>
```

4.2.3.3.7 SubmissionSet.intendedRecipient

Description:

- 2430 Represents the organization(s) or person(s) for whom the SubmissionSet is intended at time of submission. Each slot value shall include at least one of the organization, person, or telecommunications address fields described below. It is highly recommended to define the organization for all the persons, avoiding errors in the transmission of the documents.

Coding:

- 2435 Max length is 256. The format of the SubmissionSet.intendedRecipient value is XON|XCN|XTN where XON identifies the organization, XCN identifies a person and XTN identifies the telecommunications, see Table 4.2.3.1.7-2 for description of XON, XCN and XTN format. There is a "|" character separator between the organization and the person, and between the person and the telecommunications address, which is required when the person or the telecommunications address information is present.

The value is coded as zero or more values within a single ebRIM Slot in the SubmissionSet.

The following example shows two doctors from the same organization, another doctor without the organization details and another organization without the person details, and just a telecommunications address.

2445

HL7, HEALTH LEVEL SEVEN and CDA are the registered trademarks of Health Level Seven International.

```
2450 <rim:Slot name="intendedRecipient">
      <rim:ValueList>
        <rim:Value>
          Some
          Hospital^^^^^^^^^1.2.3.9.1789.45|^Wel^Marcus^^^Dr^MD|^Internet^mwel@healthca
re.example.org
        </rim:Value>
        <rim:Value>
          Some Hospital^^^^^^^^^1.2.3.9.1789.45|^Peirre^LaPointe^^^Dr^MD
2455 </rim:Value>
        <rim:Value>|12345^LaShawn^James^^Dr^MD</rim:Value>
        <rim:Value>MainHospital^^^^^^^^^1.2.3.4.5.6.7.8.9.1789.2364</rim:Value>
<rim:Value>|^Internet^dr.oz@healthcare.example.org</rim:Value>
        </rim:ValueList>
2460 </rim:Slot>
```

4.2.3.3.8 SubmissionSet.patientId

Description:

The patientId represents the primary subject of care of the SubmissionSet.

2465 Coding:

The format of the patientId value is CX (see Table 4.2.3.1.7-2).

It shall contain two parts:

Assigning Authority Domain Id (organization that issued the Id).

An Id from the above Assigning Authority.

2470 No other values are allowed, as specified for the CX type. Using HL7 terminology, no other values are allowed in the components of the coded value, nor are further subcomponents allowed.

2475 The value is coded within a single eBRIM ExternalIdentifier element (see Section 4.2.3.1.3 for a description of coding an eBRIM ExternalIdentifier) which references, and is contained in, the RegistryPackage representing the SubmissionSet. There shall be zero or one single patientId value.

In the example below the patientId is 6578946^^^&1.3.6.1.4.1.21367.2005.3.7&ISO where 6578946 is the ID and 1.3.6.1.4.1.21367.2005.3.7 is the assigning authority.

HL7, HEALTH LEVEL SEVEN and CDA are the registered trademarks of Health Level Seven International.

```
2480 <rim:ExternalIdentifier
      identificationScheme="urn:uuid:6b5aea1a-874d-4603-a4bc-96a0a7b38446"
      value="6578946^^^&1.3.6.1.4.1.21367.2005.3.7&ISO"
      id="IdExample_057"
      objectType="urn:oasis:names:tc:ebxml-
2485 regrep:ObjectType:RegistryObject:ExternalIdentifier"
      registryObject="SubmissionSet01">
      >
      <rim:Name>
      <rim:LocalizedString value = "XDSSubmissionSet.patientId"/>
2490 </rim:Name>
</rim:ExternalIdentifier>
```

This ExternalIdentifier shall not contain other Slot, Name, Description, Classification, or External Identifier elements except as described above.

2495 **4.2.3.3.9 SubmissionSet.sourceId**

Description:

The globally unique, immutable, identifier of the entity that contributed the SubmissionSet. When a "broker" is involved in sending SubmissionSets from a collection of client systems, it shall use a different sourceId for submissions from each separate system to allow for tracking.

2500 **Coding:**

The format of the sourceId value is OID (see Table 4.2.3.1.7-2).

The value is coded within a single ebRIM ExternalIdentifier element (see Section 4.2.3.1.3 for a description of coding an ebRIM ExternalIdentifier) which references, and is contained in, the RegistryPackage representing the SubmissionSet. There shall be only a single sourceId value.

2505 In the example below the sourceId is "1.3.6.1.4.1.21367.2005.3.7".

```
2510 <rim:ExternalIdentifier
      identificationScheme="urn:uuid:554ac39e-e3fe-47fe-b233-965d2a147832"
      value="1.3.6.1.4.1.21367.2005.3.7"
      id="IdExample_058"
      objectType="urn:oasis:names:tc:ebxml-
      regrep:ObjectType:RegistryObject:ExternalIdentifier"
      registryObject="SubmissionSet01">
      <rim:Name>
      <rim:LocalizedString value = "XDSSubmissionSet.sourceId"/>
2515 </rim:Name>
</rim:ExternalIdentifier>
```

4.2.3.3.10 SubmissionSet.submissionTime

2520 **Description:**

Represents the point in time at the creating entity when the Submission Set was submitted.

This shall be provided by the submitting system.

Coding:

2525 Max length is 256. The format of the submissionTime value is DTM. See Table 4.2.3.1.7-2 for a description of DTM format.

The value is coded as a single value within an ebRIM Slot Attribute in the SubmissionSet.

The following example shows a submissionTime of December 25, 2004 21:20:10 Coordinated Universal Time (UTC).

2530

```
<rim:Slot name="submissionTime">
  <rim:ValueList>
    <rim:Value>20041225212010</rim:Value>
  </rim:ValueList>
</rim:Slot>
```

2535

4.2.3.3.11 SubmissionSet.title

Description:

Shall contain the title of the Submission Set.

Coding:

2540 The format of SubmissionSet.title shall be any string of length less than 256 characters.

SubmissionSet.title is represented in ebXML as the "value" attribute of the LocalizedString element within the ebRIM Name structure. There can be only one ebRIM Name structure per SubmissionSet.

The following example shows a title for the SubmissionSet.

2545

```
<rim:Name>
  <LocalizedString value="Example Submission Set Title"/>
</rim:Name>
```


2550 **4.2.3.3.12 SubmissionSet.uniqueId**

Description:

The globally unique identifier for the SubmissionSet assigned by the entity that contributed the SubmissionSet.

Coding:

2555 The format of the SubmissionSet.uniqueId value is OID (see Table 4.2.3.1.7-2).

The value is coded within a single ebRIM ExternalIdentifier element which references, and is contained in, the RegistryPackage representing the SubmissionSet. See Section 4.2.3.1.3 for a description of coding an ebRIM ExternalIdentifier. There shall be only a single uniqueId value.

The following example shows a uniqueId of 1.2.3.4.5.

2560

```
<rim:ExternalIdentifier
  identificationScheme="urn:uuid:96fdda7c-d067-4183-912e-bf5ee74998a8"
  id="IdExample_059"
  objectType="urn:oasis:names:tc:ebxml-
2565 regrep:ObjectType:RegistryObject:ExternalIdentifier"
  value="1.2.3.4.5"
  registryObject="SubmissionSet01">
  <rim:Name>
    <rim:LocalizedString value = "XDSSubmissionSet.uniqueId"/>
2570 </rim:Name>
</rim:ExternalIdentifier>
```

4.2.3.3.13 SubmissionSet.limitedMetadata

Description:

2575 Indicates whether the SubmissionSet was created using the less rigorous requirements of metadata as defined for the Metadata-Limited Document Source Actor.

Coding:

The SubmissionSet is flagged using an ebRIM Classification with a classificationNode of urn:uuid:5003a9db-8d8d-49e6-bf0c-990e34ac7707. Zero or one may be present.

2580 The following example marks the “SubmissionSet” SubmissionSet as created via the less rigorous metadata requirements.

```

2585 <RegistryPackage id="SubmissionSet">
      (...)
      <Classification classifiedObject="SubmissionSet"
        classificationNode="urn:uuid:a54d6aa5-d40d-43f9-88c5-b4633d873bdd"/>
      <Classification classifiedObject="SubmissionSet"
        classificationNode="urn:uuid:5003a9db-8d8d-49e6-bf0c-990e34ac7707"/>
2590      (...)
    </RegistryPackage>

```

4.2.3.4 Folder Attributes

2595 The following metadata elements shall be used to describe a Folder. Each attribute shown below is an attribute on the RegistryPackage object defining the Folder. The attribute name is defined with a prefix of the object type of Folder when referenced by other objects, for example Folder.patientId. See Section 4.2.3.1.8 for the general format of DocumentEntry, Folder and SubmissionSet attribute tables.

Table 4.2.3.4-1: Folder Metadata Attribute Definitions (previously Table 4.1-7)

Folder Metadata Attribute	Description	Form	Coding	Detail (See Section)
availabilityStatus	The lifecycle status of the Folder	Predefined URN	XML attribute	4.2.3.4.1
codeList	Shall contain the set of codes specifying the type of clinical activities that resulted in placing DocumentEntries in this Folder.	Code	ebRIM Classification	4.2.3.4.2
comments	Comments associated with the Folder.	String	ebRIM Description	4.2.3.4.3
entryUUID	This globally unique identifier used to identify the Folder.	UUID	XML attribute	4.2.3.4.4
homeCommunityId	A globally unique identifier for a community.	OID URN	XML attribute	4.2.3.4.5
lastUpdateTime	Most recent point in time that the Folder has been modified.	DTM	ebRIM Slot	4.2.3.4.6
limitedMetadata	A flag that the associated Folder was created using the less rigorous metadata requirements as defined for the Metadata-Limited	4.2.3.4.10	ebRIM Classification	4.2.3.4.10
patientId	The patientId represents the subject of care of the DocumentEntries within the Folder.	CX	ebRIM ExternalIdentifier	4.2.3.1.3
title	The title of the Folder.	String	ebRIM Name	4.2.3.4.8
uniqueId	Globally unique identifier for the Folder.	OID	ebRIM ExternalIdentifier	4.2.3.4.9

HL7, HEALTH LEVEL SEVEN and CDA are the registered trademarks of Health Level Seven International.

2600 **4.2.3.4.1 Folder.availabilityStatus**

Description:

Represents the status of the Folder. Since the deprecation of Folders is not allowed, this value shall always be Approved.

Coding:

2605 Max length is unbounded. The availabilityStatus value shall be "urn:oasis:names:tc:ebxml-regrep:StatusType:Approved".

The example below shows the status attribute; however, this attribute is only returned on query, not set during any transaction.

2610

```
<rim:RegistryPackage
  id="urn:uuid:fbeacdb7-5421-4474-9267-985007cd8855"
  status="urn:oasis:names:tc:ebxml-regrep:StatusType:Approved"
> ...
```

2615 **4.2.3.4.2 Folder.codeList**

Description:

Shall contain the set of codes specifying the type of clinical activity that resulted in placing Documents in this Folder. These values shall be drawn from a vocabulary or coding scheme defined by the creating entity.

2620 **Coding:**

Coded as an ebRIM classification. See Section 4.2.3.1.2 for a description of coding an ebRIM Classification. Shall have zero or more values. Code multiple values by creating multiple classification objects.

2625 The following example specifies contentTypeCode="ExamplecontentTypeCode" with display name "ExamplecodeList CodeDisplayName" and coding scheme "Example coding scheme" for the Folder labeled "ExampleFolder".

```
2630 <rim:Classification
      classificationScheme= "urn:uuid:1ba97051-7806-41a8-a48b-8fce7af683c5"
      classifiedObject="ExampleFolder"
      id="IdExample_062"
      objectType="urn:oasis:names:tc:ebxml-
      regrep:ObjectType:RegistryObject:Classification"
      nodeRepresentation="Examplecode"
2635 >
      <rim:Name>
        <rim:LocalizedString
          value="ExamplecodeList CodeDisplayName" />
        </rim:Name>
2640 <rim:Slot name="codingScheme">
        <rim:ValueList>
          <rim:Value>Example coding scheme</rim:Value>
        </rim:ValueList>
      </rim:Slot>
2645 </rim:Classification>
```

4.2.3.4.3 Folder.comments

Description:

Comments associated with the Folder. Free form text or IHE profile-specified usage.

2650 Note: Prior to the availability of the Folder.title attribute, the comments attribute might have been used to hold the title of the folder (folder name). With the addition of the title attribute, the comments attribute shall not hold the folder name.

Coding:

The format of Folder.comments is any string. Max length is unbounded.

2655 The value of the comments attribute is coded in XML as the "value" attribute of the LocalizedString element within the ebRIM Description structure. There can be at most one ebRIM Description structure per DocumentEntry.

The following example shows a comment for the Folder.

```
2660 <rim:Description>
      <rim:LocalizedString value = "comments"/>
    </rim:Description>
```

4.2.3.4.4 Folder.entryUUID

2665 **Description:**

This globally unique identifier is primarily intended for use as a document registry management identifier. It is not meant to be an external reference (e.g., outside of the Document Registry) for documents (e.g., in links within other documents).

Coding:

2670 Max length is unbounded. The format of the entryUUID value is UUID. Certain Document Sharing transactions may allow symbolic Ids (anything that does not have the urn:uuid: prefix) to be used.

The value of the entryUUID is coded in the id XML attribute on the ExtrinsicObject representing the DocumentEntry. In the example below, the entryUUID is

2675 urn:uuid:a6e06ca8-0c75-4064-9e5c-88b9045a9ab6

```
<rim:RegistryPackage
  id="urn:uuid:a6e06ca8-0c75-4064-9e5c-88b9045a9ab6"
> ...
```

2680

4.2.3.4.5 Folder.homeCommunityId

Description:

A globally unique identifier for a community.

Coding:

2685 Max length is unbounded. The ebRS RegistryPackage home attribute for the RegistryPackage that corresponds to the Folder. It is an OID URN (see Table 4.2.3.1.7-2).

See ITI TF-2a: 3.18.4.1.2.3.8 and ITI TF-2b: 3.38.4.1.2.1.

2690

```
<rim:RegistryPackage home="urn:oid:1.2.3" ...>
  ...
</rim:RegistryPackage>
```

4.2.3.4.6 Folder.lastUpdateTime

Description:

2695 Most recent point in time when a DocumentEntry was placed in the Folder.

HL7, HEALTH LEVEL SEVEN and CDA are the registered trademarks of Health Level Seven International.

Coding:

Max length is 256 characters. The format of the lastUpdateTime value is DTM. See Table 4.2.3.1.7-2 for a description of DTM format.

The value is coded as a single value within an eBRIM Slot Attribute in the DocumentEntry.

2700 The following example shows a last update of December 25, 2004 21:20:10 Coordinated Universal Time (UTC).

```
2705 <rim:Slot name="lastUpdateTime">
    <rim:ValueList>
      <rim:Value>20041225212010</rim:Value>
    </rim:ValueList>
  </rim:Slot>
```

4.2.3.4.7 Folder.patientId

2710 **Description:**

The patientId represents the primary subject of care of the Folder.

The value of the patientId shall be the same for all new documents of a SubmissionSet. All DocumentEntries placed in a Folder shall have the same patientId as the Folder.

Coding:

2715 Max length unbounded. The format of the patientId value is CX (See Table 4.2.3.1.7-2).

It shall contain two parts:

Assigning Authority Domain Id (organization that issued the Id).

An Id from the Assigning Authority.

2720 No other values are allowed, as specified for the CX type in Table 4.2.3.1.7-2 above. Using HL7 terminology, no other values are allowed in the components of the coded value, nor are further subcomponents allowed.

HL7, HEALTH LEVEL SEVEN and CDA are the registered trademarks of Health Level Seven International.

```
2725 <rim:ExternalIdentifier
      identificationScheme="urn:uuid:f64ffdf0-4b97-4e06-b79f-a52b38ec2f8a"
      value="6578946^^^&1.3.6.1.4.1.21367.2005.3.7&ISO"
      id="IdExample_057"
      objectType="urn:oasis:names:tc:ebxml-
2730 regrep:ObjectType:RegistryObject:ExternalIdentifier"
      >
      <rim:Name>
        <rim:LocalizedString value = "XDSFolder.patientId"/>
      </rim:Name>
    </rim:ExternalIdentifier>
```

2735 This ExternalIdentifier shall not contain other Slot, Name, Description, Classification, or External Identifier elements except as described above.

4.2.3.4.8 Folder.title

Description:

Shall contain the Folder name.

2740 Note: Prior to the availability of this attribute the comments attribute might have been used to hold the title of the folder (folder name). With the addition of this attribute the comments attribute shall not hold the folder name.

Coding:

Encoded in the name element within the ebRS ExtrinsicObject for the document (see ebRS Schema RIM.XSD). Shall have only a single value.

2745 Max length is 256 characters.

In this example the title is “title”.

```
2750 <Name>
      <LocalizedString value="this is the title of the Folder"/>
    </Name>
```

4.2.3.4.9 Folder.uniqueId

Description:

Globally unique identifier for the folder instance assigned by the creating entity.

2755 **Coding:**

Max length is 256 characters. Encoded as the ExternalIdentifier. See Section 4.2.3.1.3 for a description of coding an ebRIM ExternalIdentifier. Shall have only a single value. Shall be of OID format.

HL7, HEALTH LEVEL SEVEN and CDA are the registered trademarks of Health Level Seven International.

```
2760 <rim:ExternalIdentifier
      identificationScheme="urn:uuid:75df8f67-9973-4fbe-a900-df66cefec5a"
      id="IdExample_059"
      objectType="urn:oasis:names:tc:ebxml-
2765   regrep:ObjectType:RegistryObject:ExternalIdentifier"
      value="1.3.6.1.4.1.21367.2005.3.7.3670984664"
      registryObject="Folder01">
      <rim:Name>
        <rim:LocalizedString value = "XDSFolder.uniqueId"/>
      </rim:Name>
2770 </rim:ExternalIdentifier>
```

This ExternalIdentifier shall not contain other Slot, Name, Description, Classification, or External Identifier elements except as described above.

2775 **4.2.3.4.10 Folder.limitedMetadata**

Description:

Indicates whether the Folder was created using the less rigorous requirements of metadata as defined for the Metadata-Limited Document Source Actor.

Coding:

2780 The Folder is flagged using an ebRIM Classification with a classificationNode of urn:uuid:2c144a76-29a9-4b7c-af54-b25409fe7d03. Zero or one may be present.

The following example marks the “Folder” Folder as created via the less rigorous metadata requirements.

```
2785 <RegistryPackage id="Folder">
      (...)
      <Classification classifiedObject="Folder"
2790   classificationNode="urn:uuid:d9d542f3-6cc4-48b6-8870-ea235fbc94c2"
      id="ID_061" objectType="urn:oasis:names:tc:ebxml-
      regrep:ObjectType:RegistryObject:Classification"/>
      <Classification classifiedObject="Folder"
2795   classificationNode="urn:uuid:2c144a76-29a9-4b7c-af54-b25409fe7d03"/>
      (...)
</RegistryPackage>
```


4.2.4 Error Reporting

2800 Registry Services schema (ebRS 3.0) defines the RegistryError element for reporting details of errors or warnings.

4.2.4.1 RegistryErrors Element

The RegistryError element contains the attributes in Table 4.2.4.1-1.

All IHE transactions that carry the RegistryError element shall return these attributes with each error reported.

2805 The body of all RegistryError elements shall be empty.

Table 4.2.4.1-1: RegistryError Element Attributes

Attribute	Optionality	Value
errorCode	R	Shall be taken from Table 4.2.4.1-2 when one of those codes is appropriate. All extensions to the list of error codes shall be unique.
codeContext	R	Supplies additional detail for the errorCode
severity	R	Indicates the severity of the error. Shall be one of: oasis:names:tc:ebxml- regrep:ErrorSeverityType:Error urn:oasis:names:tc:ebxml- regrep:ErrorSeverityType:Warning
location	O	Supplies the location of the error: module name and line number or stack trace if appropriate.

An example of an error response reporting two errors using ebRS and ebRIM 3.0 is:

```

2810 <RegistryResponse
      xmlns="urn:oasis:names:tc:ebxml-regrep:xsd:rs:3.0"
      status="urn:oasis:names:tc:ebxml-regrep:ResponseStatusType:Failure">
    <RegistryErrorList
2815       highestSeverity="urn:oasis:names:tc:ebxml-
         regrep:ErrorSeverityType:Error">
      <RegistryError
2820         errorCode="XDSPatientIdDoesNotMatch"
         codeContext="Patient Id in Document (Document1) does not match
         SubmissionSet"
         location=""
         severity="urn:oasis:names:tc:ebxml-regrep:ErrorSeverityType:Error"/>
      <RegistryError
2825         errorCode="XDSRegistryMetadataError"
         codeContext="RegistryPackage (SubmissionSet) is not labeled as
         SubmissionSet or Folder"
         location=""
         severity="urn:oasis:names:tc:ebxml-regrep:ErrorSeverityType:Error"/>
    </RegistryErrorList>
  </RegistryResponse>

```

2830

Table 4.2.4.2-1 through Table 4.2.4.2-4 control the reporting of errors for transactions that use the Document Sharing metadata attributes.

Table 4.2.4.1-2: Error Codes (previously Table 4.1-11)

Error Code ¹	Discussion	Transaction (See Note 1)
DocumentQueued	An XDR Recipient queued the document for future manual matching to a patient	P
InvalidDocumentContent	<p>The recipient has rejected this submission because it detected that one of the documents does not match the metadata (e.g., formatCode) or has failed other requirements for the document content.</p> <p>When the RegistryError element contains this error code , the @location shall contain the DocumentUniqueID of the document in error.</p> <p>If multiple documents are in error, there shall be a separate RegistryError element for each document in error.</p>	P
PartialAppendContentNotProcessed	An XDR Document Recipient did not process some part of the content.	P

¹ The XDS Metadata Update Supplement adds error codes to this table.

HL7, HEALTH LEVEL SEVEN and CDA are the registered trademarks of Health Level Seven International.

IHE IT Infrastructure Technical Framework, Volume 3 (ITI TF-3): Cross-Transaction and Content Specifications

Error Code ¹	Discussion	Transaction (See Note 1)
	Specifically the parts not processed are Append semantics	
PartialFolderContentNotProcessed	An XDR Document Recipient did not process some part of the content. Specifically the parts not processed are Folder semantics	P
PartialReplaceContentNotProcessed	An XDR Document Recipient did not process some part of the content. Specifically the parts not processed are Replacement semantics	P
PartialTransformNotProcessed	An XDR Document Recipient did not process some part of the content. Specifically the parts not processed are Transform semantics	P
PartialTransformReplaceNotProcessed	An XDR Document Recipient did not process some part of the content. Specifically the parts not processed are Transform and Replace semantics	P
XDSDocumentUniqueIdError	The document associated with the uniqueId is not available. This could be because the document is not available, the requestor is not authorized to access that document or the document is no longer available.	RS, XGR
XDSDuplicateUniqueIdInRegistry	UniqueId received was not unique. UniqueId could have been attached to SubmissionSet or Folder. codeContext shall indicate which and the value of the non-unique uniqueId. This error cannot be thrown for DocumentEntry. See XDSNonIdenticalHash and XDSNonIdenticalSize.	P,R P
XDSExtraMetadataNotSaved	This warning is returned if extra metadata was present but not saved.	P,R
XDSMissingDocument	DocumentEntry exists in metadata with no corresponding attached document	P
XDSMissingDocumentMetadata	MIME package contains MIME part with Content-Id header not found in metadata	P
XDSMissingHomeCommunityId	A value for the homeCommunityId is required and has not been specified	SQ, XGQ, RS, XGR
XDSNonIdenticalHash	Document being registered was a duplicate (uniqueId already in Document Registry) but hash does not match. codeContext indicates UniqueId.	R
XDSNonIdenticalSize	Document being registered was a duplicate (uniqueId already in Document Registry) but size does not match. CodeContext indicates UniqueId.	R
XDSPatientIdDoesNotMatch	This error is thrown when the patient Id is	P,R

HL7, HEALTH LEVEL SEVEN and CDA are the registered trademarks of Health Level Seven International.

IHE IT Infrastructure Technical Framework, Volume 3 (ITI TF-3): Cross-Transaction and Content Specifications

Error Code ¹	Discussion	Transaction (See Note 1)
	required to match and does not. The codeContext shall indicate the value of the Patient Id and the nature of the conflict.	
XDSRegistryBusy XDSRepositoryBusy	Too much activity	P,R,SQ, XGQ P, RS, XGR
XDSRegistryDeprecatedDocumentError	The transaction was rejected because it submitted an Association referencing a deprecated document.	P,R
XDSRegistryDuplicateUniqueIdInMessage XDSRepositoryDuplicateUniqueIdInMessage	A UniqueId value was found to be used more than once within the submission. Error code indicates where error was detected. codeContext shall indicate the duplicate UniqueId.	P,R
XDSRegistryError XDSRepositoryError	Internal Error The error codes XDSRegistryError or XDSRepositoryError shall be returned if and only if a more detailed code is not available from this table for the condition being reported. If one of these error codes is returned, the attribute codeContext shall contain details of the error condition that may be implementation-specific.	P,R, SQ, XGQ P, RS, XGR
XDSRegistryMetadataError XDSRepositoryMetadataError	Error detected in metadata. Actor name indicates where error was detected. (Document Recipient uses Repository error). codeContext indicates nature of problem.	P,R
XDSRegistryNotAvailable	Repository was unable to access the Registry	P
XDSRegistryOutOfResources XDSRepositoryOutOfResources	Resources are low.	P,R,SQ, XGQ P, RS, XGR
XDSResultNotSinglePatient	This error signals that the single Stored Query would have returned metadata for multiple Patient Ids	SQ, RS
XDSStoredQueryMissingParam	A required parameter to a stored query is missing.	SQ, XGQ
XDSStoredQueryParamNumber	A parameter which only accepts a single value is coded with multiple values	SQ, XGQ
XDSTooManyResults	Query resulted in too many results. No results are returned.	Q,SQ, XGQ
XDSUnavailableCommunity	A community which would have been contacted was not available. See Note 2.	SQ, RS
XDSUnknownCommunity	A value for the homeCommunityId is not recognized	SQ, XGQ, RS, XGR
XDSUnknownPatientId	Patient Id referenced in metadata is not known by the receiving actor. The	P,R, XGQ Note: this error

HL7, HEALTH LEVEL SEVEN and CDA are the registered trademarks of Health Level Seven International.

Error Code ¹	Discussion	Transaction (See Note 1)
	codeContext shall include the value of patient Id in question.	code is not used in the response to Registry Stored Query
XDSUnknownRepositoryId	The repositoryUniqueId value could not be resolved to a valid document repository or the value does not match the repositoryUniqueId.	RS, XGR
XDSUnknownStoredQuery	The Query Id provided in the request is not recognized.	SQ, XGQ

2835 **Note 1:**

P = Provide and Register-b

R = Register-b

SQ = Stored Query

RS = Retrieve Document Set

2840

XGQ = Cross Gateway Query

XGR = Cross Gateway Retrieve

Note 2:

Two examples of the use of error code XDSUnavailableCommunity are:

2845

A Cross Gateway Query or Cross Gateway Retrieve fails because the community identified by a homeCommunityId could not be contacted.

A Cross Gateway Query based on Patient ID could not contact some known communities to relay the query.

The error would be generated by the Initiating Gateway and returned in the Registry Stored Query or Retrieve Document Set. This would only apply when XDS Affinity Domain Option was used.

4.2.4.2 Error responses

2850

The RegistryError elements shall be contained within an ebXML RegistryErrorList element in the ebXML RegistryResponse or ebXML AdhocQueryResponse.

The status attribute of the RegistryResponse or AdhocQueryResponse shall be one of the following values:

`urn:oasis:names:tc:ebxml-regrep:ResponseStatusType:Success`

2855

`urn:oasis:names:tc:ebxml-regrep:ResponseStatusType:Failure`

`urn:ihe:iti:2007:ResponseStatusType:PartialSuccess`

The highestSeverity attribute may be present in a RegistryErrorList. If present, it shall contain the severity of the most severe of the RegistryErrors in the RegistryErrorList.

2860

The following tables explain the meaning of the status attribute in RegistryResponse and AdhocQueryResponse. Tables 4.2.4.2-1, 4.2.4.2-2, 4.2.4.2-3 and 4.2.4.2-4 below indicate

HL7, HEALTH LEVEL SEVEN and CDA are the registered trademarks of Health Level Seven International.

whether the RegistryErrorList element shall be present and what other content shall be part of the response.

Table 4.2.4.2-1: [ITI-41] Provide and Register Document Set-b Responses

RegistryResponse status	RegistryErrorList element	Result
urn:oasis:names:tc:ebxml-regrep:ResponseStatusType:Success	May be present. If present will contain one or more RegistryError elements with warning severity, none with error severity.	All metadata defined in this volume, and documents were successfully registered. Extra metadata may or may not be saved, based on the presence of the XDSEExtraMetadataNotSaved warning.
urn:oasis:names:tc:ebxml-regrep:ResponseStatusType:Failure	Present, contains one or more RegistryError elements. At least one has error severity others may have warning severity.	Metadata and documents not stored

2865

Table 4.2.4.2-2: [ITI-42] Register Document Set-b Responses

RegistryResponse status	RegistryErrorList element	Result
urn:oasis:names:tc:ebxml-regrep:ResponseStatusType:Success	May be present. If present will contain one or more RegistryError elements with warning severity, none with error severity	All metadata defined in this volume was successfully registered Extra metadata may or may not be saved, based on the presence of the XDSEExtraMetadataNotSaved warning.
urn:oasis:names:tc:ebxml-regrep:ResponseStatusType:Failure	Present, contains one or more RegistryError elements. At least one has error severity, others may have warning severity.	Metadata not stored

Table 4.2.4.2-3: [ITI-18] Stored Query and [ITI-38] Cross Gateway Query Responses

AdhocQueryResponse status	RegistryErrorList element	Result
urn:oasis:names:tc:ebxml-regrep:ResponseStatusType:Success	May be present. If present will contain one or more RegistryError elements with warning severity; none with error severity	Results shall be returned. Results may contain zero or more entries.
urn:ihe:iti:2007:ResponseStatusType:PartialSuccess	Present, contains one or more RegistryError elements. At least one has error severity; others may have warning severity.	Results shall be returned. Results may contain zero or more entries.
urn:oasis:names:tc:ebxml-regrep:ResponseStatusType:Failure	Present, contains one or more RegistryError elements. At least one has error severity; others may have warning severity.	Results not returned

HL7, HEALTH LEVEL SEVEN and CDA are the registered trademarks of Health Level Seven International.

2870

Table 4.2.4.2-4: [ITI-43] Retrieve Document Set and [ITI-39] Cross Gateway Retrieve Responses

Registry Response status	RegistryErrorList element	Result
urn:oasis:names:tc:ebxml-regrep:ResponseStatusType:Success	May be present. If present will contain one or more RegistryError elements with warning severity; none with error severity	All documents were successfully retrieved
urn:ihe:iti:2007:ResponseStatusType:PartialSuccess	Present, contains one or more RegistryError elements. At least one has error severity; others may have warning severity.	Some documents were successfully retrieved
urn:oasis:names:tc:ebxml-regrep:ResponseStatusType:Failure	Present, contains one or more RegistryError elements. At least one has error severity; others may have warning severity.	No documents were successfully retrieved

Note: Complete details on how these elements shall be populated are available at ITI TF-2b: 3.43.5 Protocol Requirements.

4.2.5 Metadata Vocabulary

The UUIDs in the following tables shall be used in constructing and interpreting XDS metadata.

2875

4.2.5.1 Submission Set Object UUIDs

UUID	Use/meaning
urn:uuid:a54d6aa5-d40d-43f9-88c5-b4633d873bdd	SubmissionSet ClassificationNode
urn:uuid:a7058bb9-b4e4-4307-ba5b-e3f0ab85e12d	author External Classification Scheme
urn:uuid:aa543740-bdda-424e-8c96-df4873be8500	contentTypeCode External Classification Scheme
urn:uuid:6b5aea1a-874d-4603-a4bc-96a0a7b38446	patientId External Identifier
urn:uuid:554ac39e-e3fe-47fe-b233-965d2a147832	sourceId External Identifier
urn:uuid:96fdda7c-d067-4183-912e-bf5ee74998a8	uniqueId External Identifier

4.2.5.2 Document Entry Object

UUID	Use/meaning
urn:uuid:7edca82f-054d-47f2-a032-9b2a5b5186c1	DocumentEntry objectType for Stable Document Entries
urn:uuid:34268e47-fdf5-41a6-ba33-82133c465248	DocumentEntry objectType for On-Demand Document Entries

HL7, HEALTH LEVEL SEVEN and CDA are the registered trademarks of Health Level Seven International.

UUID	Use/meaning
urn:uuid:93606bcf-9494-43ec-9b4e-a7748d1a838d	author External Classification Scheme
urn:uuid:41a5887f-8865-4c09-adf7-e362475b143a	classCode External Classification Scheme
urn:uuid:f4f85eac-e6cb-4883-b524-f2705394840f	confidentialityCode External Classification Scheme
urn:uuid:2c6b8cb7-8b2a-4051-b291-b1ae6a575ef4	eventCodeList External Classification Scheme
urn:uuid:a09d5840-386c-46f2-b5ad-9c3699a4309d	formatCode External Classification Scheme
urn:uuid:f33fb8ac-18af-42cc-ae0e-ed0b0bdb91e1	healthCareFacilityTypeCode External Classification Scheme
urn:uuid:58a6f841-87b3-4a3e-92fd-a8ffeff98427	patientId ExternalIdentifier
urn:uuid:ccc5598-8b07-4b77-a05e-ae952c785ead	practiceSettingCode External Classification Scheme
urn:uuid:f0306f51-975f-434e-a61c-c59651d33983	typeCode External Classification Scheme
urn:uuid:2e82c1f6-a085-4c72-9da3-8640a32e42ab	uniqueId ExternalIdentifier

4.2.5.3 Folder Object

UUID	Use/meaning
urn:uuid:d9d542f3-6cc4-48b6-8870-ea235fbc94c2	Folder ClassificationNode
urn:uuid:1ba97051-7806-41a8-a48b-8fce7af683c5	codeList External Classification Scheme
urn:uuid:f64ffdf0-4b97-4e06-b79f-a52b38ec2f8a	patientId External Identifier
urn:uuid:75df8f67-9973-4fbc-a900-df66cefec5a	uniqueId External Identifier

2880

4.3 Additional Document Sharing Requirements

This section includes profile specific requirements.

4.3.1 Requirements on Submission Type Transactions

2885 A Submission Type Transaction transfers a collection of Document Sharing metadata to a receiving actor for processing. There are three Submission Type transactions:

- [ITI-42] Register Document Set-b – transfers only Document Sharing metadata
- [ITI-41] Provide and Register Document Set-b – transfers Document Sharing metadata along with document content
- [ITI-32] Distribute Document Set on Media - transfers Document Sharing metadata along with document content

2890

The Document Sharing metadata Objects found in the Submission Request of a Submission Type Transaction are:

HL7, HEALTH LEVEL SEVEN and CDA are the registered trademarks of Health Level Seven International.

- SubmissionSet metadata
- Metadata for new or existing documents
- 2895 • Folders to be created
- Associations (various relationships and HasMember as needed)

An XDS Registry Submission Request is the collection of metadata transferred between a Document Repository and a Document Registry. This request is part of the Register Document Set-b [ITI-42] and Register On-Demand Document Entry [ITI-61] transactions.

- 2900 An XDS Repository Submission Request is the collection of metadata and documents transferred between a Document Source and a Document Repository. This request is the information payload of the Provide and Register Document Set message of the Provide and Register Document Set-b [ITI-41] transaction.

4.3.1.1 Submission Metadata Attribute Optionality

- 2905 This section lists which metadata attributes an actor shall provide when initiating a Submission Type Transaction.

The Actor/Transaction pairs addressed by this section are as follows:

Table 4.3.1.1-1: Sending Actor/Transaction Pairs

Actor	Transaction	Shortname
XDS Document Source	ITI-41 Provide and Register Document Set-b	XDS DS
XDS Document Repository	ITI-42 Register Document Set-b	XDS DR
XDM Portable Media Creator	ITI-32 Distribute Document Set on Media	XDM MC
XDR Document Source	ITI-41 Provide and Register Document Set-b	XDR DS
XDR Metadata-Limited Document Source	ITI-41 Provide and Register Document Set-b	XDR MS
XDS On-Demand Document Source	ITI-61 Register On-Demand Document Entry	XDS OD

2910

For each actor/transaction pair across the top of Table 4.3.1.1-3, and each metadata attribute row, the cell indicates the requirement for that actor when creating a submission request using the paired transaction. The requirements are expressed through these codes:

2915

Table 4.3.1.1-2: Sending Actor Metadata Attribute Optionality Code Definitions

Code	Meaning
R	Required – A value for the attribute shall be supplied by the sending Actor when sending the submission
R2	Required if Known – A value for the attribute shall be supplied by the sending Actor when sending the submission unless the Actor does not have any value for the attribute

HL7, HEALTH LEVEL SEVEN and CDA are the registered trademarks of Health Level Seven International.

Code	Meaning
O	Optional – The sending Actor may or may not supply a value for this attribute
X	Prohibited – when sending a submission, a value for the attribute shall not be supplied by the sending Actor.

Table 4.3.1.1-3: Sending Actor Metadata Attribute Optionality

Metadata Element	Metadata Attribute	XDS DS	XDS DR	XDM MC	XDR DS	XDR MS	XDS OD
DocumentEntry	author	R2	R2	R2	R2	R2	R2
DocumentEntry	availabilityStatus	O	O	O	O	O	O
DocumentEntry	classCode	R	R	R2	R	R2	R
DocumentEntry	comments	O	O	O	O	O	O
DocumentEntry	confidentialityCode	R	R	R2	R	R2	R
DocumentEntry	creationTime	R	R	R2	R	R2	X
DocumentEntry	entryUUID	R	R	R	R	R	R
DocumentEntry	eventCodeList	O	O	O	O	O	O
DocumentEntry	formatCode	R	R	R2	R	R2	R
DocumentEntry	hash	O	R	R	O	O	X
DocumentEntry	healthcareFacility TypeCode	R	R	R2	R	R2	R
DocumentEntry	homeCommunityId	O	O	O	O	O	O
DocumentEntry	languageCode	R	R	R2	R	R2	R
DocumentEntry	legalAuthenticator	O	O	O	O	O	O
DocumentEntry	limitedMetadata	X	X	O	X	R	X
DocumentEntry	mimeType	R	R	R	R	R	R
DocumentEntry	objectType	R	R	R	R	R	R
DocumentEntry	patientId	R	R	R2	R	R2	R
DocumentEntry	practiceSettingCode	R	R	R2	R	R2	R
DocumentEntry	referenceIdList	O	O	O	O	O	O
DocumentEntry	repositoryUniqueId	O	R	O	O	O	<u>O</u>
DocumentEntry	serviceStartTime	R2	R2	R2	R2	R2	O
DocumentEntry	serviceStopTime	R2	R2	R2	R2	R2	O
DocumentEntry	size	O	R	R	O	O	X
DocumentEntry	sourcePatientId	R	R	R2	R	R2	R
DocumentEntry	sourcePatientInfo	O	O	R2	O	R2	O
DocumentEntry	title	O	O	O	O	O	O
DocumentEntry	typeCode	R	R	R2	R	R2	R
DocumentEntry	uniqueId	R	R	R	R	R	R
DocumentEntry	URI	O	O	R	O	O	O

HL7, HEALTH LEVEL SEVEN and CDA are the registered trademarks of Health Level Seven International.

Metadata Element	Metadata Attribute	XDS DS	XDS DR	XDM MC	XDR DS	XDR MS	XDS OD
SubmissionSet	author	R2	R2	R2	R2	R2	R2
SubmissionSet	availabilityStatus	O	O	O	O	O	O
SubmissionSet	comments	O	O	O	O	O	O
SubmissionSet	contentTypeCode	R	R	R2	R	R2	R
SubmissionSet	entryUUID	R	R	R	R	R	R
SubmissionSet	homeCommunityId	O	O	O	O	O	O
SubmissionSet	intendedRecipient	O	O	R2	R2	R2	O
SubmissionSet	limitedMetadata	X	X	O	X	R	X
SubmissionSet	patientId	R	R	R2	R	R2	R
SubmissionSet	sourceId	R	R	R	R	R	R
SubmissionSet	submissionTime	R	R	R	R	R	R
SubmissionSet	title	O	O	O	O	O	O
SubmissionSet	uniqueId	R	R	R	R	R	R
Folder	availabilityStatus	O	O	O	O	O	O
Folder	codeList	R	R	R2	R	R2	R
Folder	comments	O	O	O	O	O	O
Folder	entryUUID	R	R	R	R	R	R
Folder	homeCommunityId	O	O	O	O	O	O
Folder	lastUpdateTime	O	O	O	O	O	O
Folder	limitedMetadata	X	X	O	X	R	X
Folder	patientId	R	R	R2	R	R2	R
Folder	title	R	R	O	R	O	R
Folder	uniqueId	R	R	R	R	R	R

4.3.1.2 XDS Specific Requirements

2920 In an XDS setting, a DocumentEntry is stored in the XDS Document Registry and its related document is stored in a XDS Document Repository.

A DocumentEntry in the XDS Document Registry is used to represent a document in a XDS Document Repository.

2925 A DocumentEntry object in the XDS Document Registry contains a reference to a single document in a single XDS Document Repository.

Note: A repository may hold documents that are not indexed in the registry.

ITI TF-2x: Appendix H defines the metadata to initialize an ebXML registry to serve as an XDS Document Registry.

SubmissionSets are immutable, except in cases where patientID must be updated.

HL7, HEALTH LEVEL SEVEN and CDA are the registered trademarks of Health Level Seven International.

2930 A Submission Request is the collection of information that is transferred to an XDS Document Registry or Repository.

4.3.1.2.1 Provide and Register Document Set-b Transaction [ITI-41]

2935 XDS uses ITI-41 to transfer the collection of metadata and documents between an XDS Document Source and an XDS Document Repository using a single ebXMLSubmitObjectsRequest. This request contains:

- Metadata

 - Submission Set metadata

 - Document Metadata

 - Folders to be created

2940 Associations (various relationships and HasMember as needed)

- Zero or more documents (Each document is represented by a DocumentEntry object in the metadata. Submissions that add metadata to the Document Registry without adding documents to the Document Repository are possible. If the metadata contains a DocumentEntry, then the Document must be present.)

2945 The metadata is relayed by the XDS Document Repository to the XDS Document Registry through a Register Document Set-b [ITI-42] transaction. Relayed metadata may include fields added by the XDS Document Repository.

Id attributes and references: The submission may contain valid UUIDs or symbolic ids (or both) as specified in Section 4.3.1.2.2.

2950 4.3.1.2.2 Register Document Set-b Transaction [ITI-42]

XDS uses ITI-42 to transfer the collection of metadata between a XDS Document Repository and a XDS Document Registry in a single ebXMLSubmitObjectsRequest. This request contains:

- SubmissionSet metadata
- DocumentEntry metadata

2955

- Folders to be created

- Associations (various relationships and HasMember as needed)

Document duplication: There are several conditions regarding the duplication of document that can occur.

- Duplicate registration of a document - A document and its metadata are submitted to the XDS Document Repository as part of a Provide and Register Document Set [ITI-41] transaction. It is submitted with a symbolic entryUUID or a new (not previously used) entryUUID for the DocumentEntry and associated ancillary objects. The same Document (i.e., one with the same DocumentEntry.uniqueId, DocumentEntry.hash and
- 2960

2965 DocumentEntry.size) already exists in one or more Document Repositories and is already represented in the Document Registry. The Document Repository and Document Registry shall accept such duplicate registration of the documents.

- Duplicate document id submitted to repository - A document with its associated metadata is submitted to an XDS Document Repository as part of a Provide and Register Document Set [ITI-41] transaction. A document with the same DocumentEntry.uniqueId is present in the Repository but the hash or size is different. This is an error, but a Document Repository MAY choose not to reject the Submission Request (see note).

2970 Note: There are two approaches to detecting this fault. First, this can be detected at the Document Repository if repository logic can validate the hashes and sizes and has record of the document uniqueId to compare. Otherwise the request can be forwarded on to the Document Registry and let the fault be detected by the Document Registry (see next bullet). The Document Repository then deals with the error returned by the Document Registry.

- Duplicate document Id submitted to Document Registry - Metadata representing a document (DocumentEntry) is submitted to a Document Registry as part of a Register Document Set-b [ITI-42] transaction. A DocumentEntry object with the same uniqueId is present in the Document Registry but the hash or size is different. This is an error and the Submission Request shall be rejected by the XDS Document Registry.

2980 Note: A document can be registered by multiple Document Sources with the same uniqueId, same hash, same size, different entryUUID, and with other metadata attributes not the same as described above. As a result, a Document Consumer may issue a GetDocuments Stored Query with a uniqueId parameter and have returned two or more DocumentEntry objects with that same uniqueId.

2985 **Id attributes and references:** Registries shall only accept and produce lowercase UUIDs as specified in Section 4.2.3.1.4.

2990 Id references, or pointers, between elements of metadata are necessary for forming submissions and understanding query responses. The sourceObject and targetObject attributes of an Association are id references. Classifications and ExternalIdentifier type attributes are nested inside the objects they describe but they also contain id references to their parent objects.

2995 Id references to objects in the Registry shall be in UUID format. Id references to other objects within a submission may be UUID or symbolic format. All Id references returned in a Stored Query shall be in UUID format. A responsibility of a Document Registry when accepting a Register Document Set transaction is to translate any symbolic Ids into UUIDs before storing them in the registry.

Symbolic Id format is any string that does not have the prefix 'urn:uuid:'.

Once a UUID format Id value is assigned to a Registry Object, that value shall be permanent and shall not be changed.

4.3.1.2.3 XDS Atomicity of Submissions

3000 XDS Submission requests shall be atomic operations. If any part of the Submission Request Processing fails, the entire transaction shall fail and no changes result. The result of a successful Submission Request is to update either:

HL7, HEALTH LEVEL SEVEN and CDA are the registered trademarks of Health Level Seven International.
--

a Document Registry or

a Document Registry and a Document Repository.

3005 The XDS Document Registry addresses the fact that the ebXML Registry specification does not guarantee that SubmitObjectsRequest are atomic. XDS specifies the mechanism through which atomicity is to be implemented and where it is needed.

If an error occurs, storing documents in the repository then all documents stored as part of the Repository Submission Request shall be removed.

3010 If an error occurs, storing metadata in the Document Registry, then the following actions shall be performed:

All metadata stored as part of the Registry Submission Request shall be removed from the Document Registry

3015 All documents stored as part of the Repository Submission Request shall be removed. This only applies if the Registry Submission Request is a result of a Repository Submission Request.

Registry queries from the Registry Stored Query [ITI-18] transaction shall not find XDS SubmissionSets, XDS Folders or DocumentEntry objects until after the above atomic operation that creates them has completed successfully and the availabilityStatus attributes of the Folders and DocumentEntries have been set to Approved.

3020 For document metadata included by value, a rollback of the submission shall delete the document metadata and the Association. For document metadata included by reference, a rollback of the submission shall not delete the document metadata but shall still delete the Association. The document whose Association is being deleted existed before this submission and shall be maintained.

3025 **4.3.1.2.4 XDS Registry Enforcement of Attributes**

The XDS Document Registry enforces rules on metadata content. Other document sharing profiles have their own different enforcement specifications. A summary of attribute enforcement is provided in Tables 4.3.1.2-1, 4.3.1.2-2 and 4.3.1.2-3; details on certain attributes are given in Section 4.3.1.2.5 XDS Registry Responsibilities.

3030 The Registry shall reject any submission which includes attribute values whose size exceeds the specification in the standard.

3035 ebRIM version 3.0 data type Slot/ValueList/Value is limited to 256 characters before XML escaping by that standard. Document Sharing metadata may have restricted this to 128 characters or less. Some HL7 data types may be longer according to HL7; however, when encoded as slots, the Document Source shall restrict these to fit into the 256 character space allocated. This may require some information to be excluded. The XDS Profile gives no guidance as to how information is to be excluded to make this coding limit.

The XDS Document Registry shall enforce the cardinality rules as per Section 4.2.3.1.9.

HL7, HEALTH LEVEL SEVEN and CDA are the registered trademarks of Health Level Seven International.

Table 4.3.1.2-1: DocumentEntry Metadata Attribute Enforcement

DocumentEntry Attribute	Registry Enforcement
availabilityStatus	Enforcement of format only
authorInstitution	Enforcement of format only
authorPerson	Enforcement of format only
authorRole	Enforcement of format only
authorSpecialty	Enforcement of format only
authorTelecommunication	Enforcement of format only
classCode	Coding Scheme and Code Value and CodeDisplayName
confidentialityCode	Coding Scheme and Code Value and CodeDisplayName
creationTime	Enforcement of format only
entryUUID	Enforcement of format only
eventCodeList	Coding Scheme and Code Value and CodeDisplayName
formatCode	Coding Scheme and Code Value and CodeDisplayName
hash	Hash value enforcement
healthcareFacilityTypeCode	Coding Scheme and Code Value and CodeDisplayName
legalAuthenticator	Enforcement of format only
languageCode	Optionally enforced by XDS Affinity Domain
mimeType	Code Value
patientId	Authority Domain Id Patient Id (known from patient identity feed)
practiceSettingCode	Coding Scheme and Code Value and CodeDisplayName
referenceIdList	If present and not empty then shall be CXi encoded
serviceStartTime	Enforcement of format only
serviceStopTime	Verifies serviceStartTime <= serviceStopTime
size	Enforcement of format only
sourcePatientId	Enforcement of format only
sourcePatientInfo	Some parts required
title	Enforcement of format only
typeCode	Coding Scheme and Code Value and CodeDisplayName
uniqueId	No identical existing uniqueId in registry (assigned to DocumentEntry, SubmissionSet, or Folder) , unless there is duplicate Document registration as described in the Document Duplication text in Section 4.3.1.2.2

HL7, HEALTH LEVEL SEVEN and CDA are the registered trademarks of Health Level Seven International.

DocumentEntry Attribute	Registry Enforcement
URI	Enforcement of format only

3040

Table 4.3.1.2-2: SubmissionSet Metadata Attribute Enforcement

SubmissionSet Attribute	Registry Enforcement
authorInstitution	Enforcement of format only
authorPerson	Enforcement of format only
authorRole	Enforcement of format only
authorSpecialty	Enforcement of format only
authorTelecommunication	Enforcement of format only
comments	Enforcement of format only
contentTypeCode	Coding Scheme and Code value and CodeDisplayName
patientId	Authority Domain Id Patient Id (known from patient identity feed)
sourceId	Enforcement of format only
submissionTime	Enforcement of format only
uniqueId	No identical existing uniqueId in registry (assigned to DocumentEntry, SubmissionSet, or Folder)

Table 4.3.1.2-3: Folder Metadata Attribute Enforcement

Folder Attribute	Registry Enforcement
codeList	Coding Scheme and Code value and CodeDisplayName
comments	Enforcement of format only
lastUpdateTime	Shall be set to the current time on submission of folder or folder content changes.
patientId	The value of the patientId shall be the same for all documents of a Folder.
uniqueId	No identical existing uniqueId in registry (assigned to DocumentEntry, SubmissionSet, or Folder)

3045 4.3.1.2.5 XDS Registry Responsibilities

The XDS Document Registry extends functionality beyond the ebXML registry standard. The Document Registry performs validation as specified below:

Validate patient Id –patientIds (such as the DocumentEntry.patientId attribute) shall be a known patient Id and registered against the Patient Id Domain of the XDS Affinity Domain

HL7, HEALTH LEVEL SEVEN and CDA are the registered trademarks of Health Level Seven International.

- 3050 managed by the Patient Identity Source Actor for the XDS Affinity Domain. This validation requirement does not apply to DocumentEntry.sourcePatientId.
- Patient identifiers shall be verified against the patient identifiers received from the Patient Identity Feed [ITI-8] indicating that it is registered against the Patient ID Domain of the Affinity Domain.
- 3055
- Patient identifiers shall be verified against known subsumed patient identifiers received from the Patient Identity Feed [ITI-8]. A submission containing a subsumed patient identifier shall return an XDSUnknownPatientId error. See ITI TF-2a: 3.8.4.2.4 for background on patient identifier merge.
- 3060 **Validate submitted metadata** – the adaptor shall verify that submitted metadata meets XDS Registry metadata specification-
- Verify coded values** – the adaptor shall verify that coded fields (ebXML external classifications) contain valid XDS specified values or where the XDS Affinity Domain constrains code values, to verify them. Optionally, verify that the code display names match the code value and schema.
- 3065 **Ensure submissions are atomic** - The adaptor shall make submission to registry an atomic operation – see Section 4.3.1.2.3 XDS Atomicity of Submissions for Submission Requests for atomicity requirements.
- If the registry submission is successful then the adaptor shall label all submitted DocumentEntry, Folder, and SubmissionSet objects as Approved. If the registry submission fails then the adaptor shall remove from the registry all objects stored as part of this SubmissionSet.
- 3070 **Support Folder membership** - When the Document Registry Actor detects a HasMember association in the submission with a sourceObject attribute which references a Folder in the submission or in the registry then it shall verify that:
- The targetObject references a DocumentEntry in the submission or registry.
 - If the targetObject is in the registry then it shall have availabilityStatus of Approved.
- 3075
- There is also a HasMember association linking the SubmissionSet to the Folder-DocumentEntry association.
- Support document relationship associations** - When a Submission Request includes a ‘APND’, ‘XFRM’, ‘RPLC’, ‘XFRM_RPLC’ or ‘Signs’ association the Document Registry shall verify the association attributes as follows.
- 3080
- The sourceObject references a DocumentEntry in the submission
 - The targetObject references a DocumentEntry in the Registry
 - The targetObject DocumentEntry has availabilityStatus of Approved

3085 **Support document replacement** - When a Submission Request includes a 'RPLC' or 'XFRM_RPLC' Association indicating that a DocumentEntry is being replaced, the following shall be true:

- DocumentEntry to be replaced shall have status = Approved.
- The Association's sourceObject attribute shall contain the Id (UUID or symbolic Id) of an ExtrinsicObject representing a DocumentEntry included in the SubmissionSet.
- 3090 • The Association's targetObject attribute shall contain the UUID of an ExtrinsicObject (DocumentEntry) already in the registry.

When the 'RPLC' or 'XFRM_RPLC' Association is detected by the Registry Adaptor it shall:

- Return the error XDSReplaceFailed if this object is not contained in the registry, or has status other than Approved. This ensures that only the most recent version of a document can be replaced.
- 3095 • Submit the Submission Request to the registry.
- If the submission is successful, label the replacement document as Approved and the replaced document as Deprecated.
- 3100 • The existing document and the document replacing it shall have the same patient identifier (XDSDocumentEntry.patientId attribute). This comparison shall take into consideration patient identity merges as described in ITI TF-2a: 3.8.4.2.4.

3105 **Validate patientIds in Folders** - The adaptor shall verify that all DocumentEntries in a Folder are for the same patient. Specifically, verify that the value of the patientId attribute of the Folder matches the value of the patientId attribute of each DocumentEntry in the Folder. This comparison shall take into consideration patient identity merges as described in ITI TF-2a: 3.8.4.2.4.

Validate patientId in SubmissionSets:

- Must match included Folders
- Must match include DocumentEntries (by value)

3110 **Validate MIME types** - The adaptor shall validate that the mimeType DocumentEntry attribute for all DocumentEntries received is on the approved list for this XDS Affinity Domain.

Maintain Folder attribute 'lastUpdateTime' – The Folder attribute lastUpdateTime shall be updated by the adaptor every time a new DocumentEntry is added to a Folder.

3115 **Validate patientId on documents being added to a Folder** - The value of the patientId attribute of a DocumentEntry object shall match the value of the patientId attribute on any folder that holds it.

Accept submissions containing multiple DocumentEntries– The adaptor shall be capable of accepting submissions containing multiple DocumentEntries.

HL7, HEALTH LEVEL SEVEN and CDA are the registered trademarks of Health Level Seven International.
--

4.3.1.2.6 Required Initialization of the XDS Affinity Domain

3120 This initialization supports the operation of the Registry Adaptor. The following information must be provided by the XDS Affinity Domain administrator and loaded into the Registry Adaptor. This supports the functionality specified for the Registry Adaptor in Section 4.3.1.2. How this information is loaded into the Registry Adaptor or how the Registry Adaptor is implemented is not defined by the XDS Profile.

1. List of acceptable mimeTypes for documents indexed by the registry.
- 3125 2. Domain name (Patient Id Assigning Authority) for XDS Affinity Domain. PatientIds attached to metadata submitted to this registry shall come from this Assigning Authority.
3. Acceptable values for all coded attributes characterized in the registry by ebXML External Classifications.

4.3.2 Requirements on Query Type Transactions

3130 4.3.2.1 Query Type Metadata Attribute Optionality

This section lists which attributes shall contain content in a response to a query transaction. The query transactions covered in Table 4.3.2.1-1. The content of the query request can be found within the referenced transaction.

3135 **Table 4.3.2.1-1: Responding Actor/Transaction Pairs**

Actor	Transaction	Shortname
XDS Document Registry	ITI-18 Registry Stored Query	XDS DR
XCA Initiating Gateway	ITI-18 Registry Stored Query	XCA IG
XCA Responding Gateway	ITI-38 Cross-Gateway Query	XCA RG
MPQ Document Registry	ITI-51 Multi-Patient Stored Query	MPQ DR

For each actor/transaction pair across the top of the table, and each metadata attribute row, the cells indicates the requirement for that actor when creating a query response to the paired transaction. The requirements are expressed through these codes:

3140 **Table 4.3.2.1-2: Responding Actor Metadata Attribute Optionality Code Definitions**

Code	Meaning
R	Required – A value for the attribute shall be supplied by the responding Actor when responding to a query
R2	Required if Known – A value for the attribute shall be supplied by the responding Actor when responding to the query if a value is available to the Actor. For the Document Registry it must supply the value specified in the submission request.
O	Optional – The responding Actor may or may not supply a value for this attribute. For the Document Registry it must supply the value specified in the submission request.

HL7, HEALTH LEVEL SEVEN and CDA are the registered trademarks of Health Level Seven International.

Code	Meaning
X	Prohibited – When responding to a query, a value for the attribute shall not be supplied by the responding Actor.
R3	Required for Stable DocumentEntries and not allowed for On-Demand DocumentEntries.

Table 4.3.2.1-3: Responding Actor Metadata Attribute Optionality

Metadata Element	Metadata Attribute	XDS DR	XCA IG	XCA RG	MPQ DR
DocumentEntry	author	R2	R2	R2	R2
DocumentEntry	availabilityStatus	R	R	R	R
DocumentEntry	classCode	R	R	R	R
DocumentEntry	comments	O	O	O	O
DocumentEntry	confidentialityCode	R	R	R	R
DocumentEntry	creationTime	R3	R3	R3	R3
DocumentEntry	entryUUID	R	R	R	R
DocumentEntry	eventCodeList	O	O	O	O
DocumentEntry	formatCode	R	R	R	R
DocumentEntry	hash	R3	R3	R3	R3
DocumentEntry	healthcareFacilityTypeCode	R	R	R	R
DocumentEntry	homeCommunityId	O	R	R	O
DocumentEntry	languageCode	R	R	R	R
DocumentEntry	legalAuthenticator	O	O	O	O
DocumentEntry	limitedMetadata	X	X	X	X
DocumentEntry	mimeType	R	R	R	R
DocumentEntry	objectType	R	R	R	R
DocumentEntry	patientId	R	R	R	R
DocumentEntry	practiceSettingCode	R	R	R	R
DocumentEntry	referenceIdList	O	O	O	O
DocumentEntry	repositoryUniqueId	R	R	R	R
DocumentEntry	serviceStartTime	R2	R2	R2	R2
DocumentEntry	serviceStopTime	R2	R2	R2	R2
DocumentEntry	size	R3	R3	R3	R3
DocumentEntry	sourcePatientId	R	R	R	R
DocumentEntry	sourcePatientInfo	O	O	O	O
DocumentEntry	title	O	O	O	O
DocumentEntry	typeCode	R	R	R	R
DocumentEntry	uniqueId	R	R	R	R
DocumentEntry	URI	O	O	O	O

HL7, HEALTH LEVEL SEVEN and CDA are the registered trademarks of Health Level Seven International.

Metadata Element	Metadata Attribute	XDS DR	XCA IG	XCA RG	MPQ DR
SubmissionSet	author	R2	R2	R2	R2
SubmissionSet	availabilityStatus	R	R	R	R
SubmissionSet	comments	O	O	O	O
SubmissionSet	contentTypeCode	R	R	R	R
SubmissionSet	entryUUID	R	R	R	R
SubmissionSet	homeCommunityId	O	R	R	O
SubmissionSet	intendedRecipient	O	O	O	O
SubmissionSet	limitedMetadata	X	X	X	X
SubmissionSet	patientId	R	R	R	R
SubmissionSet	sourceId	R	R	R	R
SubmissionSet	submissionTime	R	R	R	R
SubmissionSet	title	O	O	O	O
SubmissionSet	uniqueId	R	R	R	R
Folder	availabilityStatus	R	R	R	R
Folder	codeList	R	R	R	R
Folder	comments	O	O	O	O
Folder	entryUUID	R	R	R	R
Folder	homeCommunityId	O	R	R	O
Folder	lastUpdateTime	O	O	O	O
Folder	limitedMetadata	X	X	X	X
Folder	patientId	R	R	R	R
Folder	title	R	R	R	R
Folder	uniqueId	R	R	R	R

3145

5 IHE Content Specifications

This section follows the documentation pattern found in the IHE PCC Technical Framework. The reader should be familiar with the IHE PCC Technical Framework.

5.1 Basic Patient Privacy Consents Module

3150 This section describes the encoding requirements for the Basic Patient Privacy Consents Document Content.

The BPPC document has two possible document templates, one without a scanned document part, and one in Section 5.1.2 defines the requirements of the BPPC document without a scanned document part; Section 5.1.3 explains with a scanned document part.

3155 5.1.1 References

- HL7 CDA Release 2.0 (denoted HL7 CDA R2, or just CDA, in subsequent text)

5.1.2 Patient Privacy Consent Acknowledgment Document Specification 1.3.6.1.4.1.19376.1.5.3.1.1.7 – With no Scanned Document Part

3160 A patient acknowledgement of a Patient Privacy Consent Policy is a document that contains machine readable indication. This specification describes the BPPC document without a scanned part. When the Patient Privacy Consent Acknowledgment Document contains a Scanned Document (XDS-SD), it will conform to Section 5.1.3.

5.1.2.1 XDS Metadata

5.1.2.1.1 XDS DocumentEntry Metadata

3165 BPPC leverages the XDS DocumentEntry Metadata requirements in the IHE PCC TF-2: 4.1.1 unless otherwise specified below.

5.1.2.1.1.1 XDSDocumentEntry.classCode

The LOINC code for these documents is “57016-8” “Privacy Policy Acknowledgement Document” and the codeSystem is 2.16.840.1.113883.6.1.

3170 For backward compatibility historic documents may be registered with:

- classCode -- This attributes may have been set to the value "Consent".
- classCodeDisplayName -- This attributes may have been set to the value "Consent".

5.1.2.1.1.2 XDSDocumentEntry.eventCodeList

3175 • eventCodeList -- the eventCodeList shall be populated using the Patient Privacy Policy Identifiers that have been acknowledged to within the document.

HL7, HEALTH LEVEL SEVEN and CDA are the registered trademarks of Health Level Seven International.
--

- /ClinicalDocument/documentationOf/serviceEvent[templateId/@root='1.3.6.1.4.1.19376.1.5.3.1.2.6']/code/@code
 - eventCodeDisplayNameList -- The eventCodeDisplayNameList shall be populated using the display names for those policies.
- 3180
- /ClinicalDocument/documentationOf/serviceEvent[templateId/@root='1.3.6.1.4.1.19376.1.5.3.1.2.6']/code/@displayName

5.1.2.1.1.3 XSDDocumentEntry.formatCode

The XSDDocumentEntry format code for this content shall be **urn:ihe:iti:bppc:2007**. The formatCode codeSystem shall be **1.3.6.1.4.1.19376.1.2.3**.

3185

5.1.2.1.1.4 XSDDocumentEntry.uniqueld

This value shall be the `ClinicalDocument/id` in the HL7 CDA R2 header. The root attribute is required, and the extension attribute is optional. The total length is limited to 256 characters. Additionally see IHE PCC TF-2: 4.1.1, for further content specification.

5.1.2.1.2 XDS SubmissionSet Metadata

3190 No additional constraints. For more information, see IHE PCC TF-2: 4.1.2

5.1.2.1.3 XDS Folder Metadata

No additional requirements. For more information, see IHE PCC TF-2: 4.1.3

5.1.2.2 Specification

3195 CDA Release 2.0 documents that conform to the requirements of this content module shall indicate their conformance by the inclusion of the appropriate `<templateId>` elements in the header of the document. This is shown in the sample document below. A CDA Document may conform to more than one template. This content module inherits from the Medical Document content module, and so must conform to the requirements of that template as well, thus all `<templateId>` elements shown in the example below shall be included.

3200

```

3205 <ClinicalDocument xmlns='urn:hl7-org:v3'>
      <typeId extension="POCD_HD000040" root="2.16.840.1.113883.1.3"/>
      <templateId root='1.3.6.1.4.1.19376.1.5.3.1.1.1' />
      <templateId root='1.3.6.1.4.1.19376.1.5.3.1.1.7' />
      <id root=' ' extension=' ' />
      <code code='57016-8' displayName='PATIENT PRIVACY ACKNOWLEDGEMENT'
3210   codeSystem='2.16.840.1.113883.6.1' codeSystemName='LOINC' />
      <title>Consent to Share Information</title>
      <effectiveTime value='20070619012005' />
      <confidentialityCode code='N' displayName='Normal'
3215   codeSystem='2.16.840.1.113883.5.25' codeSystemName='Confidentiality' />
      <languageCode code='en-US' />
      :
      <component><structuredBody>
3220   </structuredBody></component>
</ClinicalDocument>

```

Figure 5.1.2.2-1: Sample Consent to Share Information Document

3220 A Patient Privacy Acknowledgement Document shall contain a text description of what the patient consented to, a list of codes indicating the policy(s) agreed to, and a time range indicating the effective time of the consent. It may be attested to using an electronic digital signature, conforming to the ITI Digital Signature Profile.

3225 A Patient Privacy Acknowledgement Document shall have one or more <serviceEvent> elements in the header identifying the policies acknowledged by the document (see Section 4.2.3.4 of CDA R2). Each <serviceEvent> element indicates an acknowledgement of a Patient Privacy Policy. More than one policy may be acknowledged to within a given document.

Data Element Name	Opt	Template ID
Patient Privacy Acknowledgement Service Event At least one, and possibly more than one acknowledgement can be provided within the document.	R	1.3.6.1.4.1.19376.1.5.3.1.2.6

3230 **5.1.2.2.1 Patient Privacy Acknowledgement Service Events**
1.3.6.1.4.1.19376.1.5.3.1.2.6

Within a Patient Privacy Acknowledgement Document, there shall be a Patient Privacy Acknowledgement Service Event with the effective time of the consent shall be specified within the documentationOf/serviceEvent element.

3235

HL7, HEALTH LEVEL SEVEN and CDA are the registered trademarks of Health Level Seven International.


```
3240 <documentationOf typeCode='DOC'>
      <serviceEvent classCode='ACT' moodCode='EVN'>
        <templateId root='1.3.6.1.4.1.19376.1.5.3.1.2.6' />
        <id root='1.2.3.4.5.6' />
        <code code='9.8.7.6.5.4.3.2.1' displayName='Chicken Costume Consent'
codeSystem='9.8.7.6.5.4.3.2.2' codeSystemName='Silly Policy Land' />
        <effectiveTime>
          <low value='20101130' />
          </effectiveTime>
        </serviceEvent>
      </documentationOf>
3245
```

Figure 5.1.2.2-2: Patient Privacy Acknowledgement Service Events Example

5.1.2.2.2 <documentationOf typeCode='DOC'>

3250 At least one <documentationOf> element shall exist, describing the service event. This element shall have a typeCode attribute with the value DOC.

5.1.2.2.3 <serviceEvent classCode='ACT' moodCode='EVN'>

One <serviceEvent> shall exist for each Patient Privacy Policy acknowledged. This element shall have a classCode attribute set to ACT, and a moodCode attribute of EVN.

3255 5.1.2.2.4 <templateId root='1.3.6.1.4.1.19376.1.5.3.1.2.6' />

The <templateId> element shall be recorded exactly as shown above, and identifies this <serviceEvent> as recording the acknowledgement of a Patient Privacy Policy.

5.1.2.2.5 <id root=' ' />

3260 The service event shall have one <id> element, providing an identifier for the service event. The root attribute of this element shall be present, and shall be a GUID or OID. The extension attribute shall not be present.

5.1.2.2.6 <code code=' ' displayName=' ' codeSystem=' ' codeSystemName=' ' />

3265 The <code> element shall be present, and shall indicate the Patient Privacy Policy acknowledged. The code attribute indicates the Patient Privacy Policy Identifier, and the codeSystem attribute indicates the code system for the Patient Privacy Policy Domain from which this Patient Privacy Policy Identifier is assigned. The displayName attribute may be present, and describes the Patient Privacy Policy acknowledgement. The codeSystemName attribute may be present, and describes the Patient Privacy Policy Domain code system.

5.1.2.2.7 <effectiveTime><low value=' ' /><high value=' ' /></effectiveTime>

3270 The <effectiveTime> element shall be present, and shall indicate the effective time range over which acknowledgement is given. The low value must be provided. The high value may be

HL7, HEALTH LEVEL SEVEN and CDA are the registered trademarks of Health Level Seven International.

present. If present, it shall indicate the maximum effective time of the consent. The effectiveTime must be the same for all ServiceEvents in one Patient Privacy Acknowledgement Document. If different effectiveTimes are needed then different documents should be generated.

3275 **5.1.3 Patient Privacy Consent Acknowledgment Document Specification**
1.3.6.1.4.1.19376.1.5.3.1.1.7.1 – With Scanned Document

A patient acknowledgement of a Patient Privacy Consent Policy is a document that contains machine readable indication. This section specifies the BPPC document with a scanned document part.

3280 **5.1.3.1 XDS Metadata**

The BPPC document shall conform to the requirements in Section 5.1.2.1 with the formatCode exception listed below

5.1.3.1.1 XDS DocumentEntry Metadata

3285 The BPPC document shall conform to the DocumentEntry Metadata requirements in the IHE PCC TF-2:5.1.1.1.1 unless otherwise specified below.

5.1.3.1.1.1 XSDDocumentEntry.formatCode

The XSDDocumentEntry format code for this content is **urn:ihe:iti:bppc-sd:2007**. The formatCode codeSystem shall be 1.3.6.1.4.1.19376.1.2.3.

5.1.3.1.2 XDS SubmissionSet Metadata

3290 No additional constraints. For more information, see IHE PCC TF-2: 5.1.1.1.2

5.1.3.1.3 XDS Folder Metadata

No additional requirements. For more information, see IHE PCC TF-2: 5.1.1.1.3

5.1.3.2 Specification

3295 This BPPC document shall conform to the XDS-SD (Section 5.2) specification and shall have the additional requirements stated in Section 5.1.2.3.

5.1.3.3 Conformance

See Section 5.1.2.2.

5.2 Scanned Documents Content Module

3300 This section outlines the content of the HL7 CDA R2 constraints for the document. We note here that requirements specified below are to ensure the presence of a minimum amount of wrapper data in order to enhance description and facilitate sharing of the document. Implementers of this

HL7, HEALTH LEVEL SEVEN and CDA are the registered trademarks of Health Level Seven International.
--

3305 profile can and should make use of additional annotation within the CDA header to provide richer context. The examples in the following sections contain the minimal amount of wrapper data, as specified, and in many cases do make use of additional CDA header elements for enriched context.

Assumptions and Definitions: We assume that the scanning facility and equipment within it are assigned an OID and that the scanning facility assembles the wrapped scanned content. More information regarding the construction of OIDs can be found in ITI TF-2x: Appendix B. We define the following nomenclature for entity roles concerned in forming the wrapper content.

- 3310
- *Original content* – Legacy paper or electronic document intended for wrapping.
 - *Scanned content* – Scanned or appropriately converted/encoded electronic version of the original content.
 - *Original author* – Author of the original content.
 - *(Scanner) Operator* – Person assembling the scanned content.

3315 5.2.1 Referenced Standards

- PDF RFC 3778, The application/pdf Media Type (informative)
 - PDF/A ISO 19005-1b. Document management - Electronic document file format for long-term preservation - Part 1: Use of PDF (PDF/A)
 - HL7 CDA Release 2.0 (denoted HL7 CDA R2, or just CDA, in subsequent text)
- 3320
- [RFC 5646](#), Tags for the identification of languages

5.2.1.1 Discussion of Content Standards

3325 PDF and plaintext documents intended for wrapping can consist of multiple pages. Encoding of multiple page PDF documents are subject to the PDF/A standard. This ISO standard, PDF/A, is a subset of Adobe PDF version 1.4 intended to be suitable for long-term preservation of page-oriented documents. PDF/A attempts to maximize:

- Device independence
- Self-containment
- Self-documentation

The constraints imposed by PDF/A include:

- 3330
- Audio and video content are forbidden
 - JavaScript and executable file launches are prohibited
 - All fonts must be embedded and also must be legally embeddable for unlimited, universal rendering

HL7, HEALTH LEVEL SEVEN and CDA are the registered trademarks of Health Level Seven International.

- Colorspaces specified in a device-independent manner
- 3335 • Encryption is disallowed (although the enclosing document and transport may provide encryption external to the PDF content)
- Compression methods are restricted to a standard list

The PDF/A approach has several advantages over TIFF or JPEG. First, there are more image compressions and format flexibility in PDF, so that the image files sizes can be kept smaller.

3340 There are many simple programs available for converting TIFF and JPEG into PDF with various other features for improving compression or adding other information. The PDF/A enables devices that produce vectorized output. Unlike TIFF, JPEG, or BMP, a PDF/A image has the ability to provide several "layers" of information. This allows the creation of PDF searchable images.

3345 A PDF searchable image is a PDF document with an exact bitmapped replica of the scanned paper pages and with text information stored behind the bitmap image of the page. This approach retains the look of the original pages while enabling text searchability and computer analysis. This approach is especially suitable for documents that have to be searchable while retaining the original scan details. The text layer is created by an Optical Character Recognition (OCR)

3350 application that scans the text on each page. It then creates a PDF file with the recognized text stored in a layer beneath the image of the text. Unrecognized graphics areas and annotations are preserved with full fidelity in the image. The text form may be incomplete or the OCR confused by some words, but the original image is preserved and available.

3355 Plaintext as well as PDF/A documents shall be base-64 encoded before wrapped in a HL7 CDA R2 header. The PDF/A documents shall conform to PDF/A-1b. Creators are encouraged to conform to PDF/A-1a to the maximum extent possible, but a simple document scanner may be unable to fully conform to PDF/A-1a. Other profiles may require PDF/A-1a conformance.

HL7 CDA R2 header schema is constrained so that pertinent metadata values and scanning facility, technology and operator information shall be present (see Section 5.2.3).

3360 Medical imagery and photographs are outside the scope of this profile. Diagnostic or intervention medical imagery will be supported through DICOM (which includes the use of JPEG and MPEG). Additionally audio and video recorded content is not covered by this profile.

5.2.2 XDS Metadata

3365 XDS-SD is a CDA R2 document and thus conforms to the XDS Metadata requirements in the PCC TF-2:4 unless otherwise specified below.

5.2.2.1 XDS DocumentEntry Metadata

XDS-SD leverages the XDS DocumentEntry Metadata requirements in the PCC TF-2: 4.1.1 unless otherwise specified below.

HL7, HEALTH LEVEL SEVEN and CDA are the registered trademarks of Health Level Seven International.

5.2.2.1.1 XSDDocumentEntry.formatCode

3370 The XSDDocumentEntry.formatCode shall be **urn:ihe:iti:xds-sd:pdf:2008** when the document is scanned pdf and **urn:ihe:iti:xds-sd:text:2008** when the document is scanned text. The formatCode codeSystem shall be **1.3.6.1.4.1.19376.1.2.3**.

5.2.2.1.2 XSDDocumentEntry.uniquelId

3375 This value shall be the `ClinicalDocument/id` in the HL7 CDA R2 header. The root attribute is required, and the extension attribute is optional. In accordance with the XDS Profile, total length is limited to 256 characters. Additionally see PCC TF-2: 4.1.1, for further content specification.

5.2.2.1.3 Relating instances of XDS-SD documents

3380 In general, most instances of XDS-SD will not have parent documents. It is possible, however, in some specific use cases that instances of XDS-SD documents are related. For example, for a particular document it may be the case that both the PDF scanned content and somewhat equivalent plaintext need to be wrapped and submitted. Each document would correspond to separate XSDDocumentEntries linked via an XFRM Association that indicates one document is a transform of the other. These can be submitted in a single submission set, or in separate ones. Other specific examples may exist and this profile does not preclude the notion of a parent document for these cases.

5.2.2.2 XDS SubmissionSet Metadata

No additional constraints. Particular to this profile, a legitimate use of submission sets would be to maintain a logical grouping of multiple XDS-SD documents. We encourage such usage. For more information, see PCC TF-2: 4.1.2

3390 5.2.2.3 XDS Folder Metadata

No additional requirements. For more information, see PCC TF-2: 4.1.3

5.2.3 Specification

HL7 CDA R2 header element	CDA as constrained by XDS-SD	Section Number of Extended Discussion	Source Type	Source / Value
ClinicalDocument/typeId	R	5.2.3.1	FM	Fixed, per CDA R2 version in use.
ClinicalDocument/templateId	R	5.2.3.1	FM	Fixed, per this specification
ClinicalDocument/id	R	5.2.3.1	DS	Computable.
ClinicalDocument/code	R	5.2.3.1	O / FM	Entered by operator or appropriately fixed for scanned content
ClinicalDocument/title	R2	5.2.3.1	SA / O	Entered by operator, or possibly can be taken from the scanned content.
ClinicalDocument/confidentialityCode	R	5.2.3.1	O	Assigned by the operator
ClinicalDocument/effectiveTime	R	5.2.3.1	DS	Computed. This is the scan time.
ClinicalDocument/languageCode	R	5.2.3.1	O	Entered by operator
ClinicalDocument/recordTarget	R	5.2.3.2	SA / O	Taken from scanned content, supplemented by operator.
ClinicalDocument/author/assignedAuthor/assignedPerson	R2	5.2.3.3	SA / O	Taken from scanned content, supplemented by operator. This is the original author.
ClinicalDocument/author/assignedAuthor/authoringDevice	R	5.2.3.4	DS / FM / O	Can be computed or fixed based on the scanning device and software. This is the information about the scanning device.
ClinicalDocument/dataEnterer	R	5.2.3.5	DS / O	Can be computed by the scanner or supplemented by operator. This is the information about the scanner operator.
ClinicalDocument/custodian	R	5.2.3.6	DS / FM	Retains original HL7 CDA Context. To be computed or fixed appropriately to denote guardianship of the scanned and wrapped content.
ClinicalDocument/legalAuthenticator	O	5.2.3.7	O	Most likely supplemented by the operator, when applicable or mandated.
ClinicalDocument/documentOf/serviceEvent/effectiveTime	R	5.2.3.8	SA / O	Denotes the time/date range of the original content.
ClinicalDocument/component/containedXMLBody	R	5.2.3.9	SA	The scanned/encoded content.

HL7, HEALTH LEVEL SEVEN and CDA are the registered trademarks of Health Level Seven International.

5.2.3.1 ClinicalDocument child-less elements

3395 In this section we further discuss `id`, `code`, `effectiveTime`, `confidentialityCode` and `languageCode` elements of the `ClinicalDocument`.

- The `ClinicalDocument/templateId` element shall be present. The root attribute shall contain the oid, '1.3.6.1.4.1.19376.1.2.20', to indicate this document is an XDS-SD document.
- 3400 • The `ClinicalDocument/id` element shall be present. The root attribute shall contain the oid for the document, in which case the extension attribute shall be empty, or an oid that scopes the set of possible unique values for the extension attribute, in which case the extension shall be populated with a globally unique identifier within the scope of the root oid.
- 3405 • The `ClinicalDocument/code` will in most cases be provided by the operator. Values for this code are dictated by the CDA R2 documentation, but are permissible to extend to fit the particular use case. Attributes `code@code` and `code@codeSystem` shall be present.
- The `ClinicalDocument/title` shall be present if known.
- The `ClinicalDocument/effectiveTime` shall denote the time at which the original content was scanned. At a minimum, the time shall be precise to the day and shall include the time zone offset from GMT.
- 3410 • The `ClinicalDocument/confidentialityCode` shall be assigned by the operator in accordance with the scanning facility policy. The notion or level of confidentiality in the header may not be the same as that in the Affinity Domain, but in certain cases could be used to derive a confidentiality value among those specified by the Affinity Domain.
- 3415 • Attributes `confidentialityCode@code` and `confidentialityCode@codeSystem` shall be present.
- The `ClinicalDocument/languageCode`, in accordance with the HL7 CDA R2 documentation, shall denote the language used in the character data of the wrapper CDA header. If the scanned content, when rendered, is in a language different than that of the header, the language context of the CDA will be overwritten at the body level (see Section 5.2.3.9 `ClinicalDocument/component/nonXMLBody` for an example). Attribute `code@code` shall be present. Attribute `code@codeSystem` shall be IETF (Internet Engineering Task Force) RFC 5646 in accordance with the HL7 CDA R2 documentation.
- 3420

Example:

3425

```
<ClinicalDocument xmlns="urn:hl7-org:v3">
  <typeId extension="POCD_HD000040" root="2.16.840.1.113883.1.3"/>
  <templateId root="1.3.6.1.4.1.19376.1.2.20"/>
  <id root="1.3.6.4.1.4.1.2835.2.7777"/>
  <code code="34133-9" codeSystem="2.16.840.1.113883.6.1"
    codeSystemName="LOINC" displayName="SUMMARIZATION OF EPISODE NOTE"/>
  <title>Good Health Clinic Care Record Summary</title>
  <effectiveTime value="20050329224411+0500"/>
  <confidentialityCode code="N" codeSystem="2.16.840.1.113883.5.25"/>
  <languageCode code="en-US"/>
</ClinicalDocument>
```

5.2.3.2 ClinicalDocument/recordTarget

3430

The `ClinicalDocument/recordTarget` contains identifying information about the patient concerned in the original content. In many cases this will have to be supplied by the operator. All subelements retain their original definition as defined by the HL7 CDA R2 specification, unless noted below.

3435

- The `ClinicalDocument/recordTarget/patientRole/id` element shall include both the root and the extension attributes. Refer to PCC TF-2: 4.1.1 for more details.
- At least one `ClinicalDocument/recordTarget/patientRole/addr` element shall include at least the country subelement. The `addr` element has an unbounded upper limit on occurrences. It can, and should, be replicated to include additional addresses for a patient, each minimally specified by the country sub element.
- At least one `ClinicalDocument/recordTarget/patientRole/patient/name` element shall be at least one given subelement and one family subelement.

3440

- The `ClinicalDocument/recordTarget/patientRole/patient/administrativeGenderCode` element shall be present.
- The `ClinicalDocument/recordTarget/patientRole/patient/birthTime` element shall be present with precision to the year.

Example:

```
<recordTarget>
  <patientRole>
    <id extension="12345" root="2.16.840.1.113883.3.933"/>
    <addr>
      <streetAddressLine>17 Daws Rd.</streetAddressLine>
      <city>Blue Bell</city>
      <state>MA</state>
      <postalCode>02368</postalCode>
      <country>USA</country>
    </addr>
    <patient>
      <name>
        <prefix>Mrs.</prefix>
        <given>Ellen</given>
        <family>Ross</family>
      </name>
      <administrativeGenderCode code="F"
        codeSystem="2.16.840.1.113883.5.1"/>
      <birthTime value="19600127"/>
    </patient>
  </patientRole>
</recordTarget>
```

3445

5.2.3.3 ClinicalDocument/author (original)

This ClinicalDocument/author element represents the author of the original content. It additionally can encode the original author's institution in the subelement representedOrganization. Information regarding the original author and his/her institution shall be included, if it is known. In many cases this will have to be supplied by the operator. All subelements retain their original definition as defined by the HL7 CDA R2 specification, unless noted below.

3450

3455

3460

- The ClinicalDocument/author/templateId element shall be present. The root attribute shall contain the oid, '1.3.6.1.4.1.19376.1.2.20.1', to indicate this is the original author.
- The ClinicalDocument/author/time represents the day and time of the authoring of the original content. This value is not restricted beyond statements made in the HL7 CDA R2 documentation.
- The ClinicalDocument/author/assignedAuthor/id element if known shall include both the root and the extension attributes. Refer to PCC TF-2: 4.1.1 for more details.

HL7, HEALTH LEVEL SEVEN and CDA are the registered trademarks of Health Level Seven International.

- The ClinicalDocument/author/assignedAuthor/representedOrganization/id element if known shall include both the root and the extension attribute. Refer to PCC TF-2: 4.1.1 for more details.

Example:

```
<author>
  <templateId root="1.3.6.1.4.1.19376.1.2.20.1" />
  <time value="19990522" />
  <assignedAuthor>
    <id extension="11111111" root="1.3.5.35.1.4436.7" />
    <assignedPerson>
      <name>
        <prefix>Dr.</prefix>
        <given>Bernard</given>
        <family>Wiseman</family>
        <suffix>Sr.</suffix>
      </name>
    </assignedPerson>
    <representedOrganization>
      <id extension="aaaaabbbbb" root="1.3.5.35.1.4436.7" />
      <name>Dr. Wiseman's Clinic</name>
    </representedOrganization>
  </assignedAuthor>
</author>
```

3465

5.2.3.4 ClinicalDocument/author (scanner)

This ClinicalDocument/author element shall be present and represent the scanning device and software used to produce the scanned content. All subelements retain their original definition as defined by the HL7 CDA R2 specification, unless noted below.

3470

- The ClinicalDocument/author/templateId element shall be present. The root attribute shall contain the oid, '1.3.6.1.4.1.19376.1.2.20.2', to indicate this author is the scanning device and software.
- The ClinicalDocument/author/time shall denote the time at which the original content was scanned. This value shall be equal to that of ClinicalDocument/effectiveTime. At a minimum, the time shall be precise to the day and shall include the time zone offset from GMT.
- The ClinicalDocument/author/assignedAuthor/id element shall be at least the root oid of the scanning device.
- The ClinicalDocument/author/assignedAuthor/assignedAuthoringDevice/code element shall be present. The values set here are taken from appropriate DICOM vocabulary. The

3475

3480

HL7, HEALTH LEVEL SEVEN and CDA are the registered trademarks of Health Level Seven International.

3485 value of code@codeSystem shall be set to “1.2.840.10008.2.16.4”. The value of code@code shall be set to “CAPTURE” for PDF scanned content and “WSD” for plaintext. The value of code@displayName shall be set to “Image Capture” for PDF scanned content and “Workstation” for plaintext.

- The ClinicalDocument/author/assignedAuthor/assignedAuthoringDevice/manufacturerModel Name element shall be present. The mixed content shall contain string information that specifies the scanner product name and model number. From this information, features like bit depth and resolution can be inferred. In the case of virtually scanned documents (for example, print to PDF), the manufactureModelName referenced here refers to the makers of the technology that was used to produce the embedded content.
3490
- The ClinicalDocument/author/assignedAuthor/assignedAuthoringDevice/softwareName element shall be present. The mixed content shall contain string information that specifies the scanning software name and version. In the case of virtually scanned documents, the softwareName referenced here refers to the technology that was used to produce the embedded content.
3495
- The ClinicalDocument/author/assignedAuthor/representedOrganization/id element shall be present. The root attribute shall be set to the oid of the scanning facility.

3500 Example:

```
<author>
  <templateId root="1.3.6.1.4.1.19376.1.2.20.2" />
  <time value="20050329224411+0500" />
  <assignedAuthor>
    <id root="1.3.6.4.1.4.1.2835.2.1234" />
    <assignedAuthoringDevice>
      <code code="CAPTURE" displayName="Image Capture" codeSystem="
1.2.840.10008.2.16.4" />
      <manufacturerModelName>SOME SCANNER NAME AND MODEL
      </manufacturerModelName>
      <softwareName>SCAN SOFTWARE NAME v0.0</softwareName>
    </assignedAuthoringDevice>
    <representedOrganization>
      <id root="1.3.6.4.1.4.1.2835.2" />
      <name>SOME Scanning Facility</name>
      <addr>
        <streetAddressLine>21 North Ave</streetAddressLine>
        <city>Burlington</city>
        <state>MA</state>
        <postalCode>01803</postalCode>
        <country>USA</country>
      </addr>
    </representedOrganization>
  </assignedAuthor>
</author>
```

5.2.3.5 ClinicalDocument/dataEnterer

3505 This ClinicalDocument/dataEnterer element shall represent the scanner operator who produced the scanned content. All subelements retain their original definition as defined by the HL7 CDA R2 specification, unless noted below.

- The ClinicalDocument/dataEnterer/templateId element shall be present. The root attribute shall contain the oid, '1.3.6.1.4.1.19376.1.2.20.3', to indicate this is the scanner operator.
- The ClinicalDocument/dataEnterer/time shall denote the time at which the original
3510 content was scanned. This value shall be equal to that of ClinicalDocument/effectiveTime. At a minimum, the time shall be precise to the day and shall include the time zone offset from GMT.
- The ClinicalDocument/dataEnterer/assignedEntity/id element shall be both the root and
3515 the extension attributes the root shall be the oid of the scanning facility and the extension shall be an appropriately assigned, facility unique id of the operator.

HL7, HEALTH LEVEL SEVEN and CDA are the registered trademarks of Health Level Seven International.

Example:

```
<dataEnterer>
  <templateId root="1.3.6.1.4.1.19376.1.2.20.3"/>
  <time value="20050329224411+0500"/>
  <assignedEntity>
    <id extension="22222222" root="1.3.6.4.1.4.1.2835.2"/>
    <assignedPerson>
      <name>
        <prefix>Mrs.</prefix>
        <given>Bernice</given>
        <family>Smith</family>
      </name>
    </assignedPerson>
  </assignedEntity>
</dataEnterer>
```

5.2.3.6 ClinicalDocument/custodian

3520 The ClinicalDocument/custodian shall be present. Its context is left up to the scanning facility to refine in accordance with local policies and to reflect the entity responsible for the scanned content. In most cases this will be the scanning facility. All subelements retain their original definition as defined by the HL7 CDA R2 specification, unless noted below.

- The ClinicalDocument/assignedCustodian/representedOrganization/name shall be present.
- 3525 • At least one ClinicalDocument/assignedCustodian/representedOrganization/addr element shall include at least the country sub element.

Example:

```
<custodian>
  <assignedCustodian>
    <representedCustodianOrganization>
      <id root="1.3.6.4.1.4.1.2835.2"/>
      <name>SOME Scanning Facility</name>
      <addr>
        <streetAddressLine>21 North Ave</streetAddressLine>
        <city>Burlington</city>
        <state>MA</state>
        <postalCode>01803</postalCode>
        <country>USA</country>
      </addr>
    </representedCustodianOrganization>
  </assignedCustodian>
</custodian>
```

3530 5.2.3.7 ClinicalDocument/legalAuthenticator

The `ClinicalDocument/legalAuthenticator` may be present and its context is left up to the scanning facility to refine in accordance with local policies. All subelements retain their original definition as defined by the HL7 CDA R2 specification, unless noted below.

- 3535 • The `ClinicalDocument/legalAuthenticator/assignedEntity/id` element if known shall include both the root and the extension attribute. Refer back to PCC TF-2: 4.1.1 for more details.

Example:

```
<legalAuthenticator>
  <time value="19990522" />
  <signatureCode code="S" />
  <assignedEntity>
    <id extension="11111111" root="1.3.5.35.1.4436.7" />
    <assignedPerson>
      <name>
        <prefix>Dr.</prefix>
        <given>Bernard</given>
        <family>Wiseman</family>
        <suffix>Sr.</suffix>
      </name>
    </assignedPerson>
  </assignedEntity>
</legalAuthenticator>
```

3540 5.2.3.8 ClinicalDocument/documentationOf

This `ClinicalDocument/documentationOf` element is used to encode the date/time range of the original content. If the original content is representative of a single point in time then the endpoints of the date/time range shall be the same. Information regarding this date/time range shall be included, if it is known. In many cases this will have to be supplied by the operator. This profile does not restrict the `documentationOf` element beyond statements made in the HL7 CDA R2 documentation.

3545

Example:

```
<documentationOf>
  <serviceEvent >
    <effectiveTime>
      <low value="19800127" />
      <high value="19990522" />
    </effectiveTime>
  </serviceEvent>
</documentationOf>
```

3550 5.2.3.9 ClinicalDocument/component/nonXMLBody

This `ClinicalDocument/component/nonXMLBody` element shall be present and used to wrap the scanned content. The `nonXMLBody` element is guaranteed to be unique; thus the x-path to

HL7, HEALTH LEVEL SEVEN and CDA are the registered trademarks of Health Level Seven International.

recover the scanned content is essentially fixed. All subelements of the nonXMLBody retain their original definition as defined by the HL7 CDA R2 specification, unless noted below.

- 3555
 - If the human-readable language of the scanned content is different than that of the wrapper (specified in ClinicalDocument/languageCode), then ClinicalDocument/component/nonXMLBody/languageCode shall be present. Attribute code@code shall be present. Attribute code@codeSystem shall be IETF (Internet Engineering Task Force) RFC 5646 in accordance with the HL7 CDA R2 documentation.
- 3560
 - The ClinicalDocument/component/nonXMLBody/text element shall be present and encoded using xs:base64Binary encoding and shall contain the scanned content.
 - ClinicalDocument/component/nonXMLBody/text@mediaType shall be “application/pdf” for PDF, or “text/plain” for plaintext.
 - When the character encoding of text/plain content is other than UTF-8, the @mediaType shall be text/plain;charset=XXX, where XXX is the name of the encoding as specified by RFC-2046.
 - ClinicalDocument/component/nonXMLBody/text@representation shall be present. The @representation for both PDF and plaintext scanned content will be “B64”, because this profile requires the base-64 encoding of both formats.

3570 Example (PDF scanned content is in the *same* language as the wrapper):

```
<component>
  <nonXMLBody>
    <text mediaType="application/pdf" representation="B64">
      JVBERi0xLjMKJcfsj6IKNSAwIG9iago8PC9MZW5ndGggNiAwIFIvRmlsdGVyIC9GbGF0
      ZURlY29kZT4+CnN0cmVhbQp4nGWPmWsdMQyFd/8KjfJwqmVbkr0GQqFbg7fQoSRNWuhB
      Q/4/1L67TEEYme+9J1s3CMQQRm39NLuXg8H17gK89nN1N8eLAbZ2mmHXuql2QDVUhnZx
      a5iBcyQtoMIUM7TzHbH5KZEVDgm//SSUswbFHx/JzBLEu5yYxOIzE8bPcRWqdaGDmcZO
      BWc/9bfUNOPfOte4409jxtcIKskqp0JZouJ5deYqeBn58ZmKtIU+2ptjqWQRJpGyrHDu
      K7CXIe2be+/1DzXQP+RlbmRzdHJlYW0KZW5kb2JqcjYgMCAvYmoKMjAxMjAxMjAxMjAxMj
      ...
      SW5mbYAyIDAgUgovSUQgWzxnENDN0FFQjU0QjM2RkIyODNDNUMzMjQ3OUFEMjgzRj48
      RjRDQzdBRUIlNEIzNkZCMjgzQzVDMzI0Nz1BRDI4M0Y+XQo+PgpzdGFydHhZWyZWMzAx
      Mgo1JUVPrgo=
    </text>
  </nonXMLBody>
</component>
</ClinicalDocument>
```

Example (PDF scanned content is in a *different* language than the wrapper):

```
<component>
  <nonXMLBody>
    <languageCode code="zh-CN" />
    <text mediaType="application/pdf" representation="B64">
      JVBERi0xLjMKJcfsj6IKNSAwIG9iago8PC9MZW5ndGggNiAwIFIvRmlsdGVyIC9GbGF0
      ZURlY29kZT4+CnN0cmVhbQp4nGWPmWsdMQyFd/8KjfJwqmVbkr0GQqFbg7fQoSRNWuhB
      Q/4/1L67TEEYme+9J1s3CMQQRm39NLuXg8H17gK89nN1N8eLAbZ2mmHXuql2QDVUhnZx
      a5iBcyQtoMIUM7TzHbH5KZEVDgm//SSUswbFHx/JzBLEu5yYxOIzE8bPcRWqdaGDmcZO
      BWc/9bfUNOPfOte4409jxtcIKskqp0JZouJ5deYqeBn58ZmKtIU+2ptjqWQRJpGyrHDu
      K7CXIe2be+/1DzXQP+RlbmRzdHJlYW0KZW5kb2JqcjYgMCAvYmoKMjAxMjAxMjAxMjAxMj
      ...
      SW5mbYAyIDAgUgovSUQgWzxnENDN0FFQjU0QjM2RkIyODNDNUMzMjQ3OUFEMjgzRj48
      RjRDQzdBRUIlNEIzNkZCMjgzQzVDMzI0Nz1BRDI4M0Y+XQo+PgpzdGFydHhZWyZWMzAx
      Mgo1JUVPrgo=
    </text>
  </nonXMLBody>
</component>
</ClinicalDocument>
```

HL7, HEALTH LEVEL SEVEN and CDA are the registered trademarks of Health Level Seven International.

3575 **5.2.4 Complete Example (Wrapped PDF)**

```
3575 <ClinicalDocument xmlns="urn:hl7-org:v3"
xmlns:xsi="http://www.w3.org/2001/XMLSchema-instance" classCode="DOCCLIN"
moodCode="EVN" xsi:schemaLocation="urn:hl7-org:v3 CDA.xsd">
3580 <typeId extension="POCD_HD000040" root="2.16.840.1.113883.1.3"/>
<templateId root="1.3.6.1.4.1.19376.1.2.20"/>
  <id root="1.3.6.4.1.4.1.2835.2.7777"/>
  <code code="34133-9" codeSystem="2.16.840.1.113883.6.1"
codeSystemName="LOINC" displayName="SUMMARIZATION OF EPISODE NOTE"/>
  <title>Good Health Clinic Care Record Summary</title>
3585 <effectiveTime value="20050329224411+0500"/>
<confidentialityCode code="N" codeSystem="2.16.840.1.113883.5.25"/>
<languageCode code="en-US"/>
<recordTarget>
  <patientRole>
3590   <id extension="12345" root="2.16.840.1.113883.3.933"/>
   <addr>
     <streetAddressLine>17 Daws Rd.</streetAddressLine>
     <city>Blue Bell</city>
     <state>MA</state>
3595     <postalCode>02368</postalCode>
     <country>USA</country>
   </addr>
   <patient>
     <name>
3600       <prefix>Mrs.</prefix>
       <given>Ellen</given>
       <family>Ross</family>
     </name>
     <administrativeGenderCode code="F"
3605 codeSystem="2.16.840.1.113883.5.1"/>
     <birthTime value="19600127"/>
   </patient>
  </patientRole>
</recordTarget>
3610 <author>
  <templateId root="1.3.6.1.4.1.19376.1.2.20.1"/>
  <time value="19990522"/>
  <assignedAuthor>
3615    <id extension="11111111" root="1.3.5.35.1.4436.7"/>
    <assignedPerson>
      <name>
        <prefix>Dr.</prefix>
        <given>Bernard</given>
        <family>Wiseman</family>
3620        <suffix>Sr.</suffix>
      </name>
    </assignedPerson>
    <representedOrganization>
      <id extension="aaaaabbbbb" root="1.3.5.35.1.4436.7"/>
```

HL7, HEALTH LEVEL SEVEN and CDA are the registered trademarks of Health Level Seven International.

```
3625     <name>Dr. Wiseman's Clinic</name>
        </representedOrganization>
        </assignedAuthor>
    </author>
<author>
3630     <templateId root="1.3.6.1.4.1.19376.1.2.20.2"/>
        <time value="20050329224411+0500"/>
        <assignedAuthor>
            <id root="1.3.6.4.1.4.1.2835.2.1234"/>
            <assignedAuthoringDevice>
3635 <code code="CAPTURE" displayName="Image Capture" codeSystem="
1.2.840.10008.2.16.4" />
<manufacturerModelName>SOME SCANNER NAME AND MODEL </manufacturerModelName>
            <softwareName>SCAN SOFTWARE NAME v0.0</softwareName>
            </assignedAuthoringDevice>
3640     <representedOrganization>
        <id root="1.3.6.4.1.4.1.2835.2"/>
        <name>SOME Scanning Facility</name>
            <addr>
                <streetAddressLine>21 North Ave</streetAddressLine>
3645                 <city>Burlington</city>
                <state>MA</state>
                <postalCode>01803</postalCode>
                <country>USA</country>
            </addr>
3650     </representedOrganization>
        </assignedAuthor>
    </author>
<dataEnterer>
3655     <templateId root="1.3.6.1.4.1.19376.1.2.20.3"/>
        <time value="20050329224411+0500"/>
        <assignedEntity>
            <id extension="22222222" root="1.3.6.4.1.4.1.2835.2"/>
            <assignedPerson>
3660                 <name>
                    <prefix>Mrs.</prefix>
                    <given>Bernice</given>
                    <family>Smith</family>
                </name>
            </assignedPerson>
3665     </assignedEntity>
</dataEnterer>
<custodian>
    <assignedCustodian>
        <representedCustodianOrganization>
3670     <id root="1.3.6.4.1.4.1.2835.2"/>
        <name>SOME Scanning Facility</name>
            <addr>
                <streetAddressLine>21 North Ave</streetAddressLine>
3675                 <city>Burlington</city>
                <state>MA</state>
```

```

        <postalCode>01803</postalCode>
        <country>USA</country>
    </addr>
    </representedCustodianOrganization>
3680 </assignedCustodian>
</custodian>
<legalAuthenticator>
    <time value="19990522"/>
    <signatureCode code="S"/>
3685 <assignedEntity>
    <id extension="11111111" root="1.3.5.35.1.4436.7"/>
    <assignedPerson>
        <name>
3690     <prefix>Dr.</prefix>
        <given>Bernard</given>
        <family>Wiseman</family>
        <suffix>Sr.</suffix>
        </name>
    </assignedPerson>
3695 </assignedEntity>
</legalAuthenticator>
<documentationOf>
    <serviceEvent >
3700     <effectiveTime>
        <low value="19800127"/>
        <high value="19990522"/>
    </effectiveTime>
    </serviceEvent>
</documentationOf>
3705 <component>
    <nonXMLBody>
        <text mediaType="application/pdf" representation="B64">
3710 JVBeri0xLjMKJcfsj6IKNSAwIG9iago8PC9MZW5ndGggNiAwIFIvRmlsdGVyIC9GbGF0
ZURlY29kZT4+CnN0cmVhbQp4nGWPMWsDMQyFd/8KjFJwqmVbkr0GQqFbg7fQoSRNWuhB
Q/4/1L67TEEYme+9J1s3CMQQRm39NLUxg8H17gK89nN1N8eLAbZ2mmHXuql2QDVUhnZx
a5iBcyQtoMIUM7TZHbH5KZEVDgm//SSUswbFHx/JzBLEu5yYx0IzE8bPcRWqdaGDmcZO
Bwc/9bfUNOPfOte4409jxtcIKskqp0JZouJ5deYqeBn58ZmKtIU+2ptjqWQRJpGyrHDu
K7CXIe2be+/1DzXQP+RlBmRzdHJlYW0KZW5kb2JqCjYgMCEvYmoKMjAxcmVuzG9iago0
...
3715 SW5mbyAyIDAgUgovSUQgWzxnGNENDN0FFQjU0QjM2RkIyODNDNUMzMjQ3OUFEMjgzRj48
RjRDQzdBRUIlNEIzNkZCMjgzQzVDMzI0NzI1BRDI4M0Y+XQo+PgpzdGFydHhyZWYKMzAx
MgolJUVPRgo=
        </text>
    </nonXMLBody>
3720 </component>
</ClinicalDocument>
```

5.4 XDW Workflow Content Module

3725 This section defines the XDW Workflow Document by providing a schema and explaining its use. This document does not include clinical information about the patient directly. It shall only contain information necessary for organizing and defining work tasks. All clinical information regarding any task shall be provided through separate documents that are referenced from the associated input or output documents.

5.4.1 Referenced Standards

3730 HL7 CDA Release 2.0 (denoted HL7 CDA R2, or just CDA, in subsequent text)
Web Services – Human Task (WS-HumanTask) Specification Version 1.1, OASIS

5.4.2 Discussion of Content Standards

3735 The XDW Workflow Document is a document that incorporates elements from the HL7 CDA document structure and from the WS-HumanTask structure. The Workflow Document exists to coordinate the activities of multiple people in different organizations. They agree to share these documents as a method of exchanging work information. These documents are used by these organizations to feed what is often considered their own internal task management systems and have their own administrative rules for managing activities.

3740 Sharing clinical documents is often accomplished as a normal part of providing healthcare. The XDW workflow allows the work information to be shared in the same way as other patient related clinical information. Integrating the internal workflow management systems of independent organizations with independent administrative rules, and perhaps in different legal and regulatory systems, is avoided.

3745 The XDW Workflow Document does not contain clinical information about the patient. The input, output, and other elements of the task data shall contain references to documents (DocumentEntry.uniqueId) that contain the clinical information.

XDW Workflow uses the XDS lifecycle management tools to coordinate updates to the Workflow Document instead of requiring an integration of all the different task management systems in the different organizations.

3750 The XDW Workflow Document builds upon two other standards, HL7 CDA and OASIS WS-Human Task.

The XDW Workflow Document shall comply with the XDW XML Schema that includes elements from the CDA and OASIS Human Task standards. Access to the schema files from those standards will be needed.

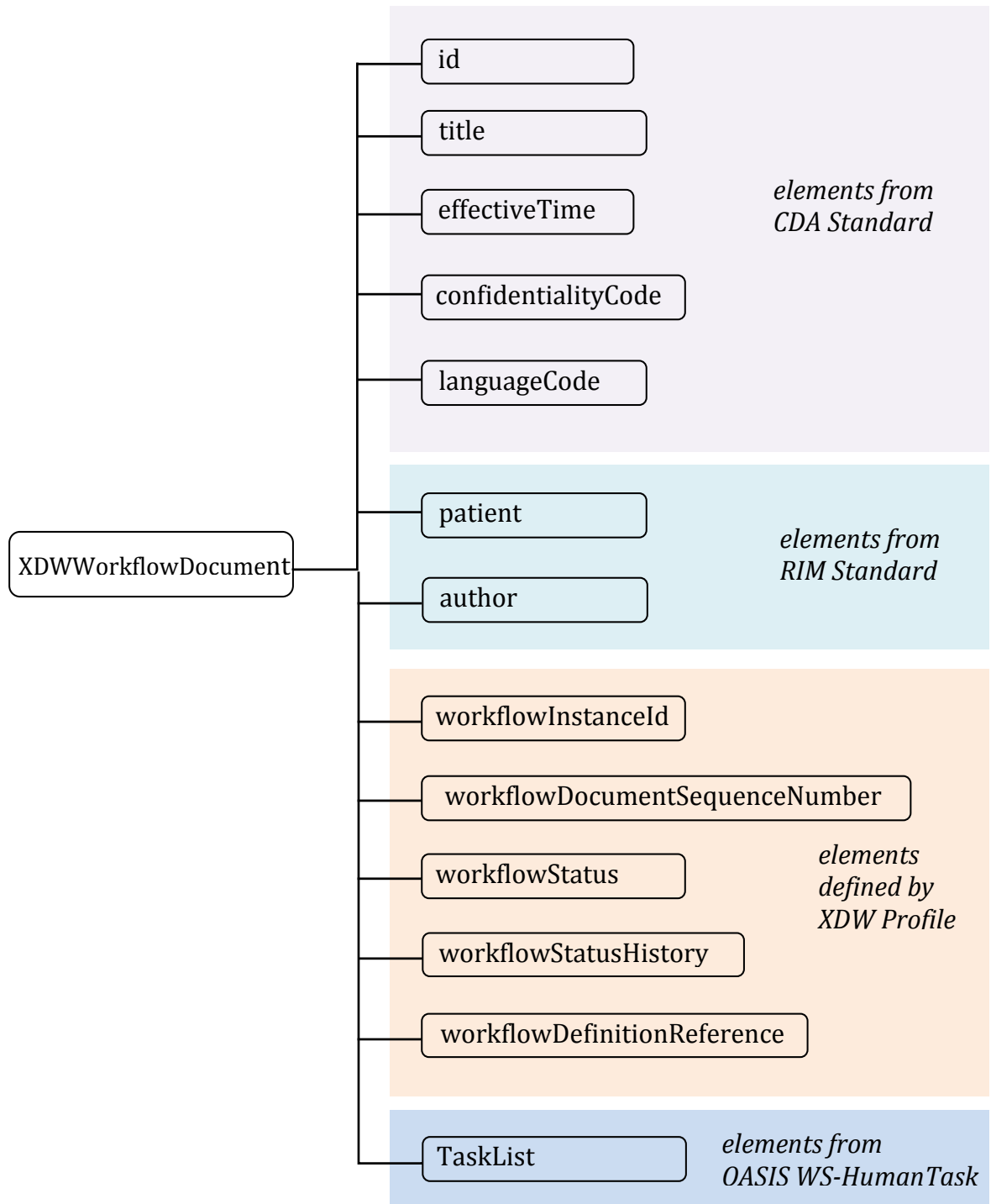
3755 The figure below represents the main level structure of the Workflow Document with the first level of the elements that composed the structure.

It is possible to divide the structured into four parts:

HL7, HEALTH LEVEL SEVEN and CDA are the registered trademarks of Health Level Seven International.

- Part 1: elements derived from HL7 CDA standard (Type of the element: CDA),
- 3760 • Part 2: two elements, patient and author, defined in the XDWSchema with the structure derived from HL7 R-MIM standard (Type of the element: tXDWpatient and tXDWauthor),
- Part 3: elements defined by IHE XDW Profile
- 3765 • Part 4: the element <TaskList> in which is defined by elements derived from the OASIS WS-HumanTask standard. In this last section the <TaskList> is a list of elements <XDWTask> composed of the HumanTask <taskData> (all data that define the XDWTask) and the HumanTask <taskEventHistory> that contains a list of elements <taskEvent>.

All the elements of the Figure 5.4.2-1 are described in Section 5.4.3.



3770

Figure 5.4.2-1: XDW.WorkflowDocument Structure

HL7, HEALTH LEVEL SEVEN and CDA are the registered trademarks of Health Level Seven International.

5.4.2.1 XDW Workflow Document Elements from HL7 CDA Standard

3775 Some elements are incorporated directly from the HL7 CDA standard. This means that the elements, their definitions, and the rules for interpreting them are in the HL7 standard. These are summarized here for convenience.

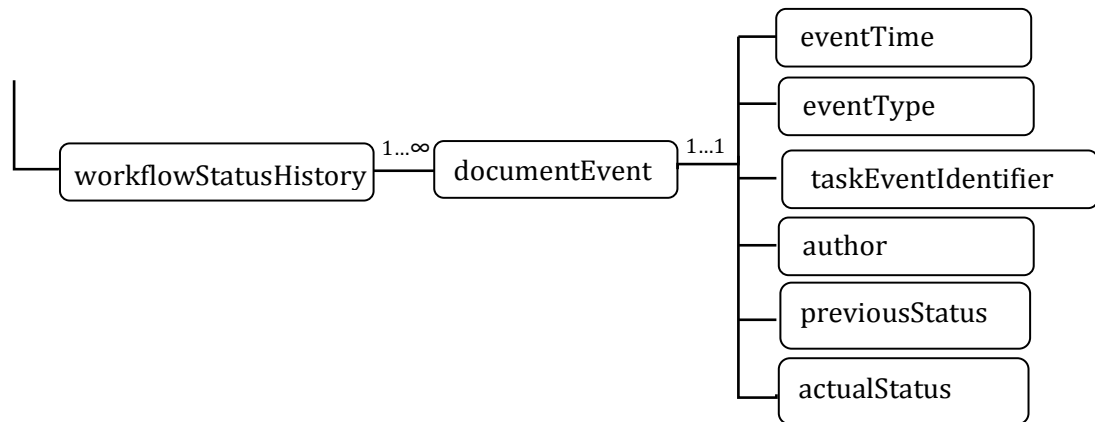
<patient> and <author> elements have been defined based upon the HL7 CDA R-MIM. The XDW schema defines these elements using elements from CDA, and was derived by eliminating all elements that are not needed for workflow identification purposes. The R-MIM includes elements that are of clinical value. These have been removed for workflow use.

3780 5.4.2.2 XDW Workflow Document Elements defined by IHE XDW Profile

The XDW Workflow Document also has elements that are defined by IHE (see Table 5.4.3-1):

- 3785 • <workflowInstanceId> Every version of the Workflow Document shall have the same workflowInstanceId value. This value shall be an OID. It is conveyed in the DocumentEntry.referenceIdList attribute of the workflow document's metadata.. It shall be globally unique, because it is shared by many organizations.
- <workflowDocumentSequenceNumber> This is used to simplify management of the changes to the Workflow Document as the workflow is executed. It shall be created as "1", and be incremented for each update to the Workflow Document.
- <workflowStatus> This shall be either
 - 3790 OPEN– which means that further updates are expected for this Workflow Document. These updates could be modifications to existing tasks or addition of new tasks or update to an existing task. Tasks shall not be deleted.
 - 3795 CLOSED– which means that further updates to this Workflow Document are not expected. A workflow with a CLOSED workflowStatus may continue to be updated, after which the value of workflowStatus may be transitioned back to OPEN or remain CLOSED. These constraints will be defined by the Workflow Definition referenced.
- <workflowStatusHistory> This element represents the history of changes of status of the workflow document. It consists of sub-elements named documentEvent. Each documentEvent describes a change of status of the workflow document. In case that the workflowDefinitionReference describes a type of workflow that can't change its status from CLOSED to OPEN, the workflowStatusHistory contain at most two documentEvent elements, one for the opening of the workflow corresponding to the creation of the workflow document, and one to track the closing of the process related. Instead, if the workflowDefinitionReference permits the change of status from CLOSED to OPEN (e.g., OPEN-->CLOSED-->OPEN...) the element workflowStatusHistory will contain from 1 to N documentEvent elements to track these changes. A documentEvent is described by sub-elements defined in Table 5.4.3-5.
 - 3800
 - 3805

HL7, HEALTH LEVEL SEVEN and CDA are the registered trademarks of Health Level Seven International.



3810

Figure 5.4.2.2-1: workflowStatusHistory Element

- `<workflowDefinitionReference>`. This is the reference to the workflow definition. This is usually contained in policy or procedure document or may be defined by IHE as a specific workflow definition profile. This profile places no restriction on the style used to document such Workflow definition. It is recommended to assign an OID to those. It shall be recorded by the creator of the initial Workflow Document and shall be preserved unchanged in all subsequent versions of the document.

3815

5.4.2.3 XDW Workflow Document Elements from the OASIS Human Task

The descriptions of a task and of `<taskEvent>` are taken from the OASIS Human Task standard. This standard defines a way to describe a human task. It was defined as an extension to the BPEL and BPMN workflow standards. These standards are in use to manage the workflow of automated tasks under the control of an integrated task management system. It was recognized that while these standards do not have the ability to control human task, they needed a way to describe tasks to be performed by humans and other organizations.

3820

The element `<XDWTask>` groups all information about one task in the workflow, the `<XDWTask>` is structured in two sub elements: `<taskData>` and `<taskEventHistory>`.

3825

- `<taskData>` describes a single task. This is a list of details about the task, a description, the inputs to the task (e.g., documents), the outputs from the task (e.g., documents), fault descriptions and comments. The `<taskDetails>` include elements like the task ID, description, state, etc. (see Table 5.4.3-8)
- `<taskEventHistory>` contains a list of the `<taskEvent>` elements that describe the changes of the task. For each task, there is one or more `<taskEvent>` that describes the history of the task. There is a list of the `<taskEvent>`: an `<eventType>`, a description, the inputs to the `<taskEvent>` (e.g., documents), the outputs from the `<taskEvent>` (e.g., documents), fault descriptions, comments, and

3830

3835

attachments (other documents that do not represent outputs). The details include elements like the task ID, status, etc. (see Table 5.4.3-10)

3840 The definitions and rules such as the state machine that defines status are in the Human Task standard. There are other datatypes and web services also defined in Human Task standard that are not used by XDW.

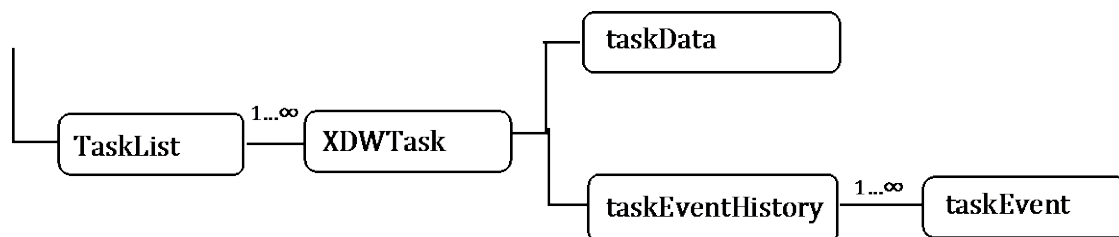


Figure 5.4.2.3-1: XDW Workflow elements derived from OASIS WS-HumanTask

3845 5.4.2.4 Relationship between Task and <taskEvent>

When a Task is generated it has a first <taskEvent>. A Task can either have only one <taskEvent> if the status of the task is not modifiable and it is born just completed or it can have more status and so more taskEvents. In this case at any time the task changed a new <taskEvent> is created.

3850 When a new Task is generated, zero or more references to external documents, associated with the Task, either as input or output, are put in the respective element of the Task. As a Task changes new input or output documents may be added (cumulative list of references). However, for each Task Event, only the input and output document related to the specific task Event shall be included. The inputs documents of a <taskEvent> are the documents that have been used
3855 as input for performing the Task change. The Output documents are those that have been created as a result of the Task Change. As a consequence, all input and output document references, present one or more times in the task Events list shall be listed (without duplicates) in the Task. Likewise for output document references.

3860 The clinical documents referenced in the input or output data elements of Tasks and task Events shall be accessible in the affinity domain (if XDW is used along with XDS) or Media Interchange (if used along with XDM) or Point-to-point submission set (if used along with XDR). In anticipation of the use of XDW in a cross-community environment, both the document uniqueId and homeCommunityId are permitted to be included.

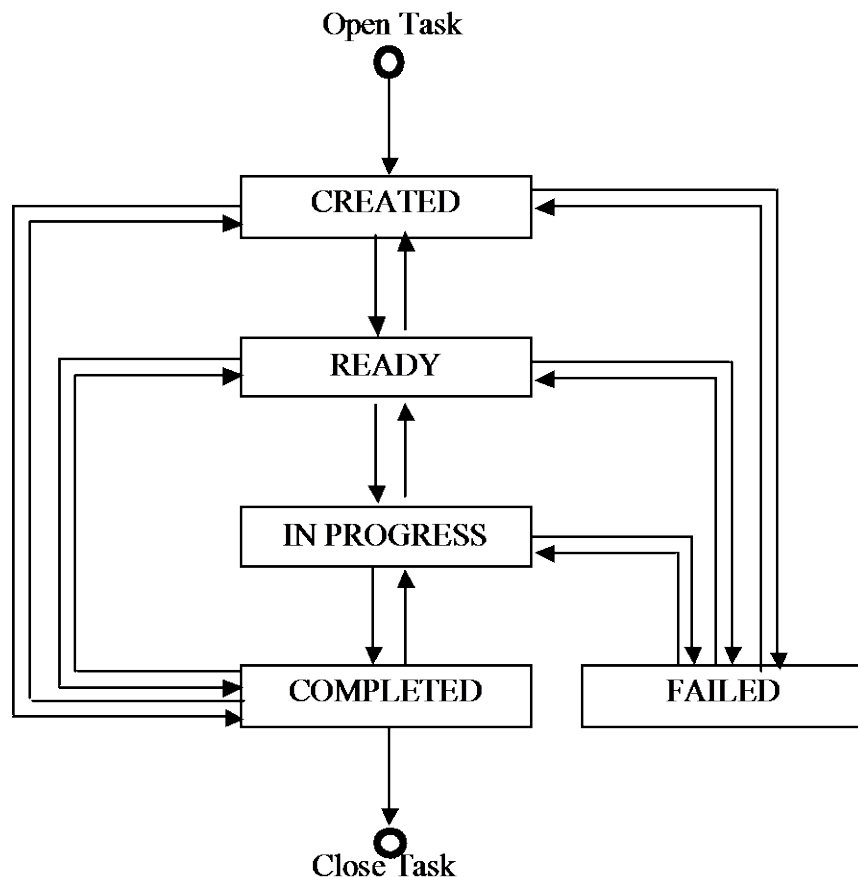
3865 The XDW Workflow Document defines a task list which is a series of task descriptions. The relationship between the task, the order of the elements in this list and the possible status of a task, all this rules are defined in the Workflow Definition Document.

The XDW profiles define the recommended statuses processable in a Task with the <taskEvent>. These statuses are a subset of the HumanTask Standard. There are other task status values possible, but these are not normally used.

3870

Table 5.4.2.4-1: Description of Task Status

Task status	Description
CREATED	The workflow is open, the task is created but not assigned to an owner
READY	The task created is assigned to an owner and is ready to be performed
IN_PROGRESS	The task is started and the owner is performing the task actions
FAILED	The task is completed with fault response (it is not possible conclude the action of the task)
COMPLETED	The task is completed with response



3875

Figure 5.4.2.4-1: Task Status Transition

The element `<XDWTask>` and `XDW <taskEvent>` is constrained by XDW with a minimal set of elements required. These elements are fully extensible with any kind of attributes defined by Human Task standard. This allows specific Workflow Definition profiles to add elements defined in Human Task to manage for example intertask relationships, additional status, etc. to address more advanced specific workflow requirements.

3880

5.4.3 Content Specification

The tables below represent all Workflow Document elements. The tables show for each element the Optionality and the standard from which the definition and the structure of the element derive.

3885

Optionality:

R= element Required for XDW Profile

HL7, HEALTH LEVEL SEVEN and CDA are the registered trademarks of Health Level Seven International.

R2= element Required if known for XDW Profile

O= element Optional for XDW Profile

3890 X= element shall not be used

Inside the tables the column description is used to constrain the use of the attribute when referring to element defined in the underlining standard. When the description in blank no constrains is required. When the element is defined by XDW this is the complete description.

There are three functional roles for interacting with these elements.

- 3895 • The "create" role specifies what elements shall be created. The Content Creator is permitted to include any optional element, and may include other elements.
- 3900 • The "view" role specifies what elements shall be presented by Content Consumer or Content Updater that support viewing of the document. It may present for viewing any other element that it understands or has a means of presenting. There are elements that are required for viewing, while being optional for both creation and viewing.
- The "update" role specifies what elements shall be maintained with correct values when updating a document. An "update" operation shall preserve the value of all elements that are present, even if their meaning is unknown. This means that an updater might not update the contents of optional elements when updating a workflow document.

3905 If one of the following tables does not specify separate values for the three roles, then the specified value applies to all three roles.

Tables uses the following namespace conventions:

- 3910 • cda="urn:hl7-org:v3";
- ht="http://docs.oasis-open.org/ns/bpel4people/ws-humantask/types/200803"
- xs="http://www.w3.org/2001/XMLSchema"
- xdw="urn:ihe:iti:xdw:2011"
- <XDW.WorkflowDocument>

3915 **Table 5.4.3-1: Elements of the Workflow Document**

XDW.WorkflowDocument element	Standard	Data Type	Optionality	Description
id	HL7 CDA	cda:II	R	Document ID
title	HL7 CDA	cda:ST	O	Displayable title

HL7, HEALTH LEVEL SEVEN and CDA are the registered trademarks of Health Level Seven International.

XDW.WorkflowDocument element	Standard	Data Type	Optionality	Description
effectiveTime	HL7 CDA	cda:TS	R	Time of most recent update
confidentialityCode	HL7 CDA	cda:CE	R	
languageCode	HL7 CDA	cda:CS	O	
patient	HL7 CDA	xdw:tXDWpatient	R	Patient information derived from R-MIM. Restricted to non-clinical necessary content. See Table 5.4.3-2
author	HL7 CDA	xdw:tXDWAuthor	R	Author information derived from R-MIM. Restricted to non-clinical necessary content. See Table 5.4.3-3
workflowInstanceId	IHE	OID	R	Conveys the workflow identifier. It shall contain the same value as the CXi.1 component of the DocumentEntry.referenceIdList metadata attribute.
workflowDocumentSequenceNumber	IHE	xs:int	R	
workflowStatus	IHE	xs:token	R	OPEN if modifications are permitted to the document contents. CLOSED if modifications are not expected.
workflowStatusHistory	IHE	xdw:workflowStatusHistory_type	R	List of changes of the workflowStatus See Table 5.4.3-4
workflowDefinitionReference	IHE	xs:anyURI	R	References (urn:OID:) to the documents that define this kind of workflow.
TaskList	IHE	xdw:TaskList_type	R	List of all tasks and their history See Table 5.4.3-6

HL7, HEALTH LEVEL SEVEN and CDA are the registered trademarks of Health Level Seven International.

- <patient>

Table 5.4.3-2: Patient Element

Patient element	Standard	Data Type	Optionalit y	Description
id	HL7 CDA	cda:II	R	
name	HL7 CDA	cda:PN	O	
administrativeGenderCode	HL7 CDA	cda:CE	O	
birthTime	HL7 CDA	cda:TS	O	
maritalStatusCode	HL7 CDA	cda:CE	O	

- 3920
- <author>

Table 5.4.3-3: Author Element

Author element	Standard	Data Type	Optionalit y	Definition
assignedAuthor	HL7 CDA	cda:POCD_MT00040.Assign edAuthor or	R	Either assignedAuthoringDe vice or assignedPerson should be specified

- <workflowStatusHistory>

3925

Table 5.4.3-4: workflowStatusHistory Element

TaskList element	Standard	Data Type	Optionalit y	Description
documentEvent	IHE	xdw:tX DWdocu mentEv ent_ty pe	R	A detailed event that represents a change of the workflowStatus The first documentEvent element is added when the workflow document is created. A documentEvent

HL7, HEALTH LEVEL SEVEN and CDA are the registered trademarks of Health Level Seven International.

TaskList element	Standard	Data Type	Optionality	Description
				<p>element is then added whenever the workflowStatus of the workflow document changes.</p> <p>See Table 5.4.3-5</p>

- <documentEvent>

3930

Table 5.4.3-5: documentEvent Element

documentEvent element	Standard	Data Type	Optionality	Description
eventTime	OASIS_WS-HumanTask	xs:dateTime	R	Time when the specific documentEvent element is added to the workflow document.
eventType	OASIS_WS-HumanTask	ht:taskEventType	R	<p>The type of event that happens that solicits the modification of the workflowStatus. It should be valorized with one of these types: create, stop, suspend, resume, fail, complete.</p> <p>These types are defined in the HumanTask specification (C. WS-HumanTask Data Types Schema, <!-- Defines the human task event types -->).</p>
taskEventIdentifier	IHE	xs:anyURI	R	Element that permits to track the reference to the taskEvent that solicits the modification of the workflowStatus. It stores the same value of the element taskEvent/identifier

HL7, HEALTH LEVEL SEVEN and CDA are the registered trademarks of Health Level Seven International.

documentEvent element	Standard	Data Type	Optionalit y	Description
				of the taskEvent of reference.
author	IHE	xs:string	R	Actual owner of the workflow after the event
previousStatus	IHE	xs:token	R	The previous value of workflowStatus. Either "OPEN" or "CLOSED". In case of a Workflow Document just created this element shall be valorized with ""
actualStatus	IHE	xs:token	R	Equal to the current value of the workflowStatus element. Either "OPEN" or "CLOSED".

- <TaskList>

Table 5.4.3-6: TaskList Element

TaskList element	Standard	Data Type	Optionalit y	Description
XDWTask	IHE	xdw:tXDWTask	R	List of tasks See Table 5.4.3-7

3935

- <XDWTask>

Table 5.4.3-7: XDWTask Element

XDWTask element	Standard	Data Type	Optionalit y	Description
taskData	OASIS_WS-HumanTask	ht:tTaskInstanceData	R	Description of the current task (status, inputs, outputs, etc.) See Table 5.4.3-8
taskEventHistory	IHE	xdw:tXDWEven	R	History of the changes to the current

HL7, HEALTH LEVEL SEVEN and CDA are the registered trademarks of Health Level Seven International.

XDWTask element	Standard	Data Type	Optionalit y	Description
		tHistory		task (dates, changes, etc.) See Table 5.4.3-11

3940 • <taskData>

The XDW Profile adds the following restrictions to the OASIS definition for taskDetails:

- The taskData/input shall contain a taskData/input/part for every clinical document or workflow that is to be used as input to the task. This element is of type tMessagePartsData. An element <part> shall have a child element <AttachmentInfo> of type tAttachmentInfo. Table 5.4.3-9 describes how to assign values to each AttachmentInfo child elements.
- The taskData/output shall contain a taskData/output/part for every clinical document or workflow that is created as a result of the task that is to be shared. This element is of type tMessagePartsData. An element <part> shall have a child element <AttachmentInfo> of type tAttachmentInfo. Table 5.4.3-9 describes how to assign values to each AttachmentInfo child element.
- Any clinical documents that are registered in an XDS Document Registry shall be identified in the taskData/input/part, taskData/output/part, or taskData/attachmentInfos/info as described in Table 5.4.3-9.

3955 The element <part> shall have an attribute @name. The value of this attribute identifies the role played by the referenced object within the task. A Workflow Definition profile shall define a list of acceptable values for this attribute. If no Workflow Definition profile is supported and if no values are defined by local policies, this value shall be set to “XDSRegisteredDocument”.

3960 **Table 5.4.3-8: taskData Element**

taskData element	Standard	Data Type	Optionality			Description
			Create	View	Update	
taskDetails	OASIS_WS - HumanTask	ht:tTaskDetails	R	R	R	See Table 5.4.3-10
description	OASIS_WS - HumanTask	xs:string	R	R	R	Textual description
input	OASIS_WS - HumanTask	ht:tMessagePartsData	R	R	R	This element lists documents/workflows referenced by the task as inputs, using a child

HL7, HEALTH LEVEL SEVEN and CDA are the registered trademarks of Health Level Seven International.

taskData element	Standard	Data Type	Optionality			Description
			Create	View	Update	
						<part> elements for each document/workflow.
output	OASIS_WS - HumanTask	ht:tMessagePartsData	R	R	R	This element lists documents/workflows referenced by the task as outputs, using a child <part> elements for each document/workflow.
fault	OASIS_WS - HumanTask	ht:tFaultData	O	R	O	Description of fault
comments	OASIS_WS - HumanTask	xs:string	O	R	O	Simple text comments about the task

- <AttachmentInfo>

Each document referenced in input or output elements is structured using a tAttachmentInfo data type. The XDW Profile extends this data type, adding a new optional child element (homeCommunityId) that can be used to convey the home community Id of the referenced document. The structure of the <AttachmentInfo> element is described in Table 5.4.3-9. An <AttachmentInfo> element can be used to refer to another workflow. An <AttachmentInfo> element that stores a reference to a child or parent workflow shall contain an accessType with the value “urn:ihe:iti:xdw:2013:workflowInstanceId”.

3965

3970

Table 5.4.3-9: AttachmentInfo Element

AttachedInfoelement	Standard	Data Type	Optionality			Description
			Create	View	Update	

HL7, HEALTH LEVEL SEVEN and CDA are the registered trademarks of Health Level Seven International.

AttachedInfoelement	Standard	Data Type	Optionality			Description
			Create	View	Update	
identifier	OASIS_WS-HumanTask	xs:anyURI	R	R	R	<p>If the accessType is urn:ihe:iti:xdw:2011:XDSregistered, the identifier shall contain the value of DocumentEntry.uniqueId</p> <p>If the accessType is urn:ihe:iti:xdw:2013:workflowInstanceId, the identifier shall contain the value of the DocumentEntry.referenceIdList in the referenced workflow. See Note 1.</p>
name	OASIS_WS-HumanTask	xs:string	R	R	R	Stores the same value of the part/@name attribute
accessType	OASIS_WS-HumanTask	xs:string	R	R	R	<p>If the attachment is a document, the value of accessType shall be urn:ihe:iti:xdw:2011:XDSregistered.</p> <p>If the part element references another workflow, the value of accessType shall be urn:ihe:iti:xdw:2013:workflowInstanceId. See Note 1.</p>
contentType	OASIS_WS-HumanTask	xs:string	R	R	R	Conveys the MIME type of the referenced document. If the attachment refers to a child/parent workflow then this element shall be empty.
contentCategory	OASIS_WS-HumanTask	xs:anyURI	R	R	R	Fixed value http://www.iana.org/assignments/media-types
attachedTime	OASIS_WS-HumanTask	xs:dateTime	R	R	R	The date/time when the document is attached as reference
attachedBy	OASIS_WS-HumanTask	ht:tUser	R	R	R	The owner that attached the reference to the task

HL7, HEALTH LEVEL SEVEN and CDA are the registered trademarks of Health Level Seven International.

AttachedInfoelement	Standard	Data Type	Optionality			Description
			Create	View	Update	
homeCommunityId	IHE	OID	O	O	O	The home community Id of the referenced document

Note 1: The XDW Profile allows for reference to objects other than XDS documents or XDW Workflows. In this case the <identifier> element identifies the uid of the referenced object. The <accessType> of this referenced objects shall be "URL". No further constraints are defined for other elements.

3975

- <taskDetails>

Table 5.4.3-10: taskDetails Element

taskDetails element	Standard	Data Type	Optionality			Description
			Create	View	Update	
id	OASIS_WS - HumanTask	xs:any URI	R	R	R	Internal ID for the task
taskType	OASIS_WS - HumanTask	xs:string	R	R	R	
name	OASIS_WS - HumanTask	xs:QName	R	R	R	The name of the task
status	OASIS_WS - HumanTask	ht:tStatus	R	R	R	Recommend limiting values to the statuses described above.
priority	OASIS_WS - HumanTask	ht:tPriority	O	R	O	
taskInitiator	OASIS_WS - HumanTask	ht:tUser	O	O	O	
taskStakeholders	OASIS_WS - HumanTask	ht:tOrganizationalEntity	O	O	O	
potentialOwners	OASIS_WS - HumanTask	ht:tOrganizationalEntity	O	O	O	Owners in Human Task terminology are people/organizations/ etc. that perform the task.

HL7, HEALTH LEVEL SEVEN and CDA are the registered trademarks of Health Level Seven International.

taskDetails element	Standard	Data Type	Optionality			Description
			Create	View	Update	
businessAdministrators	OASIS_WS - HumanTask	ht:tOrganizationalEntity	O	O	O	
actualOwner	OASIS_WS - HumanTask	ht:tUser	R	R	R	The actual performer of the task.
notificationRecipients	OASIS_WS - HumanTask	ht:tOrganizationalEntity	O	R	O	Notification Recipient may be used to contain information about persons to be notified. Use of this element does not imply that Human Task "notification" will be used. This element may be used to trigger notification mechanisms outside of XDW (e.g., IHE DSUB Profile). This combined use is not part of this profile specification
createdTime	OASIS_WS - HumanTask	xs:dateTime	R	R	O	
createdBy	OASIS_WS - HumanTask	ht:tUser	R	R	O	
lastModifiedTime	OASIS_WS - HumanTask	xs:dateTime	R (Note 1)	R	R	
lastModifyBy	OASIS_WS - HumanTask	ht:tUser	O	R	R	
activationTime	OASIS_WS - HumanTask	xs:dateTime	O	R	O	
expirationTime	OASIS_WS - HumanTask	xs:dateTime	O	R	O	
isSkipable	OASIS_WS - HumanTask	xs:boolean	O	R	O	

HL7, HEALTH LEVEL SEVEN and CDA are the registered trademarks of Health Level Seven International.

taskDetails element	Standard	Data Type	Optionality			Description
			Create	View	Update	
hasPotentialOwners	OASIS_WS - HumanTask	xs:boolean	O	O	O	
startedByTimeExists	OASIS_WS - HumanTask	xs:boolean	X	X	X	
completedByTimeExists	OASIS_WS - HumanTask	xs:boolean	X	X	X	
presentationName	OASIS_WS - HumanTask	ht:tPresentationName	O	O	O	
presentationSubject	OASIS_WS - HumanTask	ht:tPresentationSubject	O	O	O	
renderingMethodExists	OASIS_WS - HumanTask	xs:boolean	R	R	R	Value shall be "false"
hasOutput	OASIS_WS - HumanTask	xs:boolean	X	X	X	
hasFault	OASIS_WS - HumanTask	xs:boolean	X	X	X	
hasAttachments	OASIS_WS - HumanTask	xs:boolean	X	X	X	
hasComments	OASIS_WS - HumanTask	xs:boolean	X	X	X	
escalated	OASIS_WS - HumanTask	xs:boolean	O	R	O	
searchBy	OASIS_WS - HumanTask	xs:string	X	X	X	
outcome	OASIS_WS - HumanTask	xs:string	X	X	X	

HL7, HEALTH LEVEL SEVEN and CDA are the registered trademarks of Health Level Seven International.

taskDetails element	Standard	Data Type	Optionality			Description
			Create	View	Update	
parentTaskId	OASIS_WS - HumanTask	xs:any URI	X	X	X	XDW prohibits use of subTasks
hasSubTasks	OASIS_WS - HumanTask	xs:boolean	X	X	X	XDW prohibits use of subTasks.

Note 1: lastModifiedTime shall be the same as createTime

3980

- <taskEventHistory>

Table 5.4.3-11: taskEventHistory Element

taskEventHistory element	Standard	Data Type	Optionality	Description
taskEvent	OASIS_WS-HumanTask	ht:taskEvent_type	R	See Table 5.4.3-12

- <taskEvent>

3985

Table 5.4.3-12: taskEvent Element

taskEvent element	Standard	Data Type	Optionality	Description
id	OASIS_WS-HumanTask	xs:integer	R	
eventTime	OASIS_WS-HumanTask	xs:dateTime	R	
identifier	OASIS_WS-HumanTask	xs:any URI	R	
principal	OASIS_WS-HumanTask	xs:string	O	

HL7, HEALTH LEVEL SEVEN and CDA are the registered trademarks of Health Level Seven International.

taskEvent element	Standard	Data Type	Optionality	Description
eventType	OASIS_WS-HumanTask	ht:tTaskEvent Type	R	The type of event that happens that solicits the modification of the status of the task (adding a new taskEvent). It should be valorized with one of these types: create, stop, suspend, resume, fail, complete. These types are defined in the HumanTask specification (C. WS-HumanTask Data Types Schema, <!-- Defines the human task event types -->).
startOwner	OASIS_WS-HumanTask	xs:string	O	
endOwner	OASIS_WS-HumanTask	xs:string	O	
status	OASIS_WS-HumanTask	ht:tStatus	R	
hasData	OASIS_WS-HumanTask	xs:Boolean	O	
eventData	OASIS_WS-HumanTask	xs:anyType	R2	This structure includes the data elements that were changed by this event.
faultName	OASIS_WS-HumanTask	xs:string	O	

5.4.4 Complete Example

3990 In the example in Figure 5.4.4-1 represents the XML of the XDW Workflow Document for the use case described in ITI TF-1: 30.4.2.1. This example represents the complete Workflow Document at the end of the process (see column C of ITI TF-1: Figure 30.4.2.1.1-1).

In this case there are two tasks:

- the first task has been created in status “COMPLETED” and so it has only one taskEvent in the taskEventHistory;
 - the second task ends the process in status “COMPLETED” and it has two taskEvent.
- 3995

```
4000 <?xml version="1.0" encoding="UTF-8"?>
      <xdw:WorkflowDocument xmlns:hl7="urn:hl7-org:v3"
        xmlns:ws-ht="http://docs.oasis-open.org/ns/bpel4people/ws-
4005 humantask/types/200803"
        xmlns:xdw="urn:ihe:iti:xdw:2011"
        xmlns:xsi="http://www.w3.org/2001/XMLSchema-instance"
        xsi:schemaLocation="urn:ihe:iti:xdw:2011 XDW-2014-12-23.xsd">
          <xdw:id root="1.2.3.4.5"/>
          <xdw:effectiveTime value="20110401031520"/>
          <xdw:confidentialityCode code="1.24.3.3.3"/>
          <xdw:patient>
            <xdw:id root="1.3.6.1.4.1.21367.13.20.1000" extension="33333"
              assigningAuthorityName="IHERED"/>
4010 </xdw:patient>
          <xdw:author>
            <xdw:assignedAuthor>
              <hl7:id root="1.2.3.4.5" extension="11111"/>
              <hl7:assignedPerson>
4015 <hl7:name>
                <hl7:family>Blum</hl7:family>
                <hl7:prefix>Dr.</hl7:prefix>
              </hl7:name>
            </hl7:assignedPerson>
4020 </xdw:assignedAuthor>
          </xdw:author>
          <xdw:workflowInstanceId>1.2.3.4</xdw:workflowInstanceId>

4025 <xdw:workflowDocumentSequenceNumber>3</xdw:workflowDocumentSequenceNumber>
          <xdw:workflowStatus>CLOSED</xdw:workflowStatus>
          <xdw:workflowStatusHistory>
            <xdw:documentEvent>
              <xdw:eventTime>2011-03-28T10:00:12.0Z</xdw:eventTime>
              <xdw:eventType>create</xdw:eventType>
4030 <xdw:taskEventIdentifier>
                urn:oid:1.2.3.4.5</xdw:taskEventIdentifier>
                <xdw:author>Mr. Rossi</xdw:author>
                <xdw:previousStatus/>
                <xdw:actualStatus>OPEN</xdw:actualStatus>
4035 </xdw:documentEvent>
            <xdw:documentEvent>
              <xdw:eventTime>2011-04-01T03:15:20.0Z</xdw:eventTime>
              <xdw:eventType>complete</xdw:eventType>
              <xdw:taskEventIdentifier>
4040 urn:oid:1.2.3.4.7</xdw:taskEventIdentifier>
                <xdw:author>Dr. Brum</xdw:author>
                <xdw:previousStatus>OPEN</xdw:previousStatus>
                <xdw:actualStatus>CLOSED</xdw:actualStatus>
              </xdw:documentEvent>
4045 </xdw:workflowStatusHistory>

          <xdw:workflowDefinitionReference>urn:oid:1.2.3.4.5.6.7.8.9</xdw:workflowDefi
```

```

4050 nitionReference>
      <xdw:TaskList>
        <xdw:XDWTask>
          <xdw:taskData>
            <ws-ht:taskDetails>
              <ws-ht:id>1</ws-ht:id>
              <ws-ht:taskType>Requested</ws-ht:taskType>
4055 <ws-ht:name>ReferralRequested</ws-ht:name>
              <ws-ht:status>COMPLETED</ws-ht:status>
              <ws-ht:actualOwner>Mr. Rossi</ws-ht:actualOwner>
              <ws-ht:createdTime>2011-03-28T10:00:12.0Z</ws-
4060 ht:createdTime>
              <ws-ht:createdBy>Mr. Rossi</ws-ht:createdBy>
              <ws-ht:lastModifiedTime>2011-03-28T10:00:12.0Z</ws-
ht:lastModifiedTime>
              <ws-ht:renderingMethodExists>>false</ws-
4065 ht:renderingMethodExists>
            </ws-ht:taskDetails>
            <ws-ht:description>Request for a specialist visit</ws-
ht:description>
            <ws-ht:input/>
            <ws-ht:output/>
4070 </xdw:taskData>
          <xdw:taskEventHistory>
            <xdw:taskEvent>
              <xdw:id>101</xdw:id>
              <xdw:eventTime>2011-03-28T10:00:12.0Z</xdw:eventTime>
4075 <xdw:identifier>urn:oid:1.2.3.4.5</xdw:identifier>
              <xdw:eventType>create</xdw:eventType>
              <xdw:status>COMPLETED</xdw:status>
            </xdw:taskEvent>
          </xdw:taskEventHistory>
4080 </xdw:XDWTask>
        <xdw:XDWTask>
          <xdw:taskData>
            <ws-ht:taskDetails>
              <ws-ht:id>2</ws-ht:id>
4085 <ws-ht:taskType>Referral Referred</ws-ht:taskType>
              <ws-ht:name>Referred</ws-ht:name>
              <ws-ht:status>COMPLETED</ws-ht:status>
              <ws-ht:actualOwner>Dr. Brum</ws-ht:actualOwner>
              <ws-ht:createdTime>2011-03-29T09:20:01.0Z</ws-
4090 ht:createdTime>
              <ws-ht:createdBy>Dr. Brum</ws-ht:createdBy>
              <ws-ht:lastModifiedTime>2011-04-01T03:15:20.0Z</ws-
ht:lastModifiedTime>
              <ws-ht:renderingMethodExists>>false</ws-
4095 ht:renderingMethodExists>
            </ws-ht:taskDetails>
            <ws-ht:description>Specialist visit</ws-ht:description>
            <ws-ht:input>

```

```

4100         <!-- one part element for each document in input -->
           <ws-ht:part name="eReferralDoc1">
             <ws-ht:attachmentInfo>
               <ws-ht:identifier>1.2.3.4.56.7.78</ws-
4105 ht:identifier>
               <ws-ht:name>eReferralDoc1</ws-ht:name>
               <ws-ht:accessType>urn:ihe:iti:
4110 xdw:2011:XDSregistered</ws-ht:accessType>
               <ws-ht:contentType>application/pdf</ws-
             <ws-
4110 ht:contentType>http://www.iana.org/assignments/media-types</ws-
             ht:contentType>
               <ws-ht:attachedTime>2011-04-
4115 01T03:15:20.0Z</ws-ht:attachedTime>
               <ws-ht:attachedBy>Dr. Brum</ws-
             ht:attachedBy>
           <xdw:homeCommunityId>urn:oid:1.2.3.4.5</xdw:homeCommunityId>
             </ws-ht:attachmentInfo>
             <!--eReferralDoc1-->
4120         </ws-ht:part>
       </ws-ht:input>
     <ws-ht:output>
       <!-- one documentReference element for each document in
4125 input -->
       <ws-ht:part name="ChildWorkflow">
         <ws-ht:attachmentInfo>
           <ws-ht:identifier>1.2.3.4.12312.34</ws-
4130 ht:identifier>
           <ws-ht:name>ChildWorkflow</ws-ht:name>
           <ws-
4135 ht:accessType>urn:ihe:iti:xdw:2013:workflowInstanceId</ws-ht:accessType>
           <ws-ht:contentType>application/xml</ws-
         ht:contentType>
           <ws-
4140 ht:contentType>http://www.iana.org/assignments/media-types</ws-
           ht:contentType>
           <ws-ht:attachedTime>2011-04-01T03:15:20.0Z</ws-
4145 ht:attachedTime>
           <ws-ht:attachedBy>Dr. Brum</ws-ht:attachedBy>
         </ws-ht:attachmentInfo>
       </ws-ht:part>
     </ws-ht:output>
   </xdw:taskData>
   <xdw:taskEventHistory>
     <xdw:taskEvent>
       <xdw:id>201</xdw:id>
       <xdw:eventTime>2011-03-29T09:20:01.0Z</xdw:eventTime>
       <xdw:identifier>urn:oid:1.2.3.4.6</xdw:identifier>
       <xdw:eventType>create</xdw:eventType>

```

```
4150         <xdw:status>IN_PROGRESS</xdw:status>
          </xdw:taskEvent>
          <xdw:taskEvent>
            <xdw:id>202</xdw:id>
            <xdw:eventTime>2011-04-01T03:15:20.0Z</xdw:eventTime>
4155         <xdw:identifier>urn:oid:1.2.3.4.7</xdw:identifier>
            <xdw:eventType>complete</xdw:eventType>
            <xdw:status>COMPLETED</xdw:status>
          </xdw:taskEvent>
        </xdw:taskEventHistory>
4160     </xdw:XDWTask>
  </xdw:TaskList>
</xdw:XDW.WorkflowDocument>
```

Figure 5.4.4-1: Sample XDW Workflow Document

4165 5.4.5 Workflow Document Management

5.4.5.1 Workflow Document Lifecycle Management

The Cross-Enterprise Document Workflow Profile takes advantage of the lifecycle management of XDS when used in an XDS environment.

4170 A Workflow Document shall be created and be assigned a workflow identifier. The initial document shall include at least one task on the TaskList, and have a workflowStatus of OPEN. The Workflow Document is updated when:

- The information about a task is modified. This may be due to a change in some other task related information like updating the output information.
- A new task is added to the <TaskList> .
- 4175 • The workflow status is changed to CLOSED.

Each update shall be done using the XDS Document Replace when in an XDS environment. The series of steps to be taken is:

- 4180 • Update the XDW document to reflect the desired changes. This is often replacement of the <TaskData>. It may also be a change by adding a new task to the <TaskList> or a new <taskEvent> to a Task.
- Use the XDS Replace operation to replace the old document with this modified document. This replacement document shall carry the same workflow identifier as the original Workflow Document.
- 4185 • It is possible that a document replace will be rejected by the XDS Document Registry if another actor has also done a replace in the time since the Workflow Document instance was obtained. In this case (attempting to replace a document already replaced), the XDW

4190 Document Creator or Updater shall obtain the most recent version of the Workflow Document which was updated by another XDW Actor, consider the evolution of the workflow, and performed a new content update. This kind of race condition should be very rare because updating is much faster than the rate at which people perform tasks. If certain workflows definitions require reducing the likelihood of such race conditions, one should consider placing in the Workflow Description one or more tasks "In Progress" and requiring that other Actor wait while such tasks are in-progress.

When using XDR or XDM, the receiving actor shall perform an equivalent local update process.

4195 When an XDW Actor decides that a workflow status code shall be placed in a CLOSED status, a final update to set the workflow status code to CLOSED shall be performed. The specific rules for determining when and which XDW Actors are allowed or should set the workflow status code to CLOSED are not specified by the XDW Profile. They may be determined within the Workflow Definition. XDW Content Consumer and Content Updater Actors shall support the means to query for Workflow Documents that are in a workflow status OPEN.

4200

This profile does not further constrain the rules for document lifecycle management, but a specific Workflow Definition may add requirements requiring that certain kinds of tasks be created initially, restricting the kinds of tasks that can be added, and requiring that updates be performed for specific task changes.

4205 **5.4.5.2 Associations Types**

A clinical document can be referenced by many Workflow Documents in different steps and for different reasons. When the content of a Workflow Document is known, the related clinical documents are always reached through the references (DocumentEntry.uniqueId and homeCommunityId) tracked inside the different task in the "input" and "output" elements.

4210 The use of a workflow identifier is necessary to have a fixed id to identify the whole workflow. Since the Workflow Document will be replaced many times (it is replaced at each step), its DocumentEntry.uniqueId metadata attribute is not useful for maintaining a fixed reference. The document uniqueId of each of the successive XDW documents can be used to identify a particular state of the workflow.

4215 XDW uses a workflow identifier stored in the DocumentEntry.referenceIdList metadata attribute of each workflow document to group all versions of the workflow document.

- The Content Creator shall create a workflow identifier, as an OID, when a new workflow is created.
 - The Content Creator shall create a single value in DocumentEntry.referenceIdList containing the workflow identifier. Only the CXi.1 and CXi.5 component shall be present.
- 4220

An example workflow identifier in DocumentEntry.referenceIdList is:

```
2.16.840.1^^^^urn:ihe:iti:xdw:2013:workflowInstanceId
```

- 4225
- The Content Updater shall use the same value for the workflow identifier when it creates a new version of the Workflow Document.

Since every version of the Workflow Document replaces the previous, there is always one and only one approved document with a given workflow identifier.

- 4230
- If a workflow generates another workflow there shall be two different workflow identifiers, one for each workflow. The relationship between the different workflows is always guaranteed to be inside the Workflow Documents using the `DocumentEntry.referenceIdList` as output of the task of the parent Workflow Document and as the input of the first task in the child Workflow Document.

5.4.5.3 Create workflow

When the first step of a new workflow is completed, the XDW Content Creator shall:

- 4235
- create the first version of the Workflow Document.

Then the XDW Content Creator shall use ITI-41 Provide and Register Document Set-b (in the case of XDS):

- 4240
- submit the Workflow Document to the XDS Document Repository, using a new workflow identifier in the document's `DocumentEntry.referencedIdList` metadata attribute, using ITI-41 Provide and Register Document Set-b.

5.4.5.4 Update Workflow Document

For each subsequent step in the Workflow an XDW Content Updater shall:

- 4245
- obtain the most recent version of the Workflow Document, the only version approved with the specific workflow identifier in the `DocumentEntry.referenceIdList` (e.g., using a grouped XDS Document Consumer)
 - update the content in the Workflow Document (by adding a new task or updating an existing task with a new `<taskEvent>`);
 - re-register (update) the Workflow Document by performing a document replace (e.g., in a XDS environment using a grouped XDS Document Source).

- 4250
- This new version of the workflow document has the same workflow identifier as the previous version.

In a Document Sharing infrastructure (e.g., an XDS environment) two different Content Updaters could be in the situation of race condition when both update, in the same time, the same Workflow Document.

- 4255
- In this case two actors (Content Updater A and Content Updater B) retrieve the same Workflow Document (e.g., Workflow Document with document uniqueId 1) and change it.

Content Updater A publishes a new version updated with a new document uniqueId (e.g., document uniqueId 2) and the previous version (with document uniqueId 1) is deprecated..

4260 When Updater Creator B tries to replace the same Workflow Document (document uniqueId 1) with his updated version this transaction generates an error because the document uniqueId 1 is deprecated and replaced with document uniqueId 2.

Content Updater B shall retrieve the current version of the Workflow Document (document uniqueId 2) and update it with a new version of the document with document uniqueId 3.

5.4.5.5 Association of a clinical document to a task and <taskEvent>

4265 Any clinical documents included as input or output documents within the taskData element that are registered in an XDS Document Registry shall be referenced using uniqueId and homeCommunityId of the Clinical Document referenced.

5.4.5.6 Get the Workflow Document and a clinical document associated to the workflow

4270 The most recent version of the Workflow Document may be retrieved at any point during the workflow.

The version of the Workflow Document with an approved status contains the most current information on the workflow and its tasks. So an XDW Content Consumer needs to analyze only the approved version to get all current information.

4275 Any Workflow Document contains details of each task that has been performed. A task or <taskEvent> includes the references (DocumentEntry.uniqueId and homeCommunityId) to zero or more input and/or output clinical documents. These documents may be obtained by means of XDS, or should be included along with the Workflow Document if XDR or XDM is used.

4280 5.4.5.7 Use of the eventCodeList to manage the status of a Workflow Document

An overall workflow status is required to be set by each author of a new step. This value is either OPEN or CLOSED.

This workflow status is required to be present in every workflow step, and shall take either the value OPEN or CLOSED.

4285 By setting this workflow status to OPEN, a step author indicates that, for the workflow definition and the step author further steps are expected to be performed.

By setting this workflow status to CLOSED, a step author indicates that, for the workflow definition and the step author no further steps are expected to be performed.

This workflow status shall be present for all XDW documents in its eventCodeList metadata.

4290 This use of workflow status enables the use of query to locate OPEN or CLOSED workflows with certain other properties.

The EventCodeList contains the workflow status with two possible code values: either OPEN or CLOSED.

5.4.5.8 Parameters for Required Queries

4295 The section below documents some examples of the possible queries in an XDS environment (defined in the Registry Stored Query transaction [ITI-18]) to obtain the different documents related to the workflow from some parameters available:

- Find all open Workflow Documents for a patient

4300 A Registry Stored Query “FindDocuments” maybe used with patientId, XDW document formatCode and eventCodeList with the value “urn:ihe:iti:xdw:2011:eventCode:open” for the Workflow Document.

- Find all particular type of open Workflow Documents for a patient

4305 A Registry Stored Query “FindDocuments” may be used with patientId, XDW document formatCode, eventCodeList with the value “urn:ihe:iti:xdw:2011:eventCode:open” for the Workflow Document and a specific XDW document typeCode.

- Get one or more documents referenced in a Workflow Document

4310 A Registry Stored Query “FindDocuments” which retrieves the Workflow Document (like in the first example) and a Registry Stored Query “GetDocuments” with document uniqueId and homeCommunityId to retrieve one or more documents referenced inside the Workflow Document.

- Find the latest version of a Workflow Document for a given workflow identifier

A Registry Stored Query “FindDocumentsByReferenceId” may be used with patientId and the workflow identifier.

5.4.6 XDS Metadata

4315 5.4.6.1 Document Metadata

The following metadata elements shall be used to describe the Workflow Document in an XDS Affinity Domain. The XDW Profile does not introduce new metadata and all the metadata elements used are the common Document Sharing specified in Section 4.2.3.2.

4320

Table 5.4.6.1-1: XDW Constraints for Document Metadata Attributes

DocumentEntry Attribute	XDW Constraints
author	Represents the humans and/or machines that authored the document. In the Workflow Document the Author is the human and/or machine which most recently updated the Workflow Document. This means that when a Workflow Document is updated by a different person or machine, the author changes.
authorInstitution (sub-attribute of author)	No special requirements for Workflow Document
authorPerson (sub-attribute of author)	No special requirements for Workflow Document
authorRole (sub-attribute of author)	No special requirements for Workflow Document
authorSpecialty (sub-attribute of author)	No special requirements for Workflow Document
availabilityStatus	No special requirements for Workflow Document
classCode	This code is specified by the XDS Affinity Domain. The XDS Affinity Domain should specify a code for non-clinical Workflow Management documents.
comments	No special requirements for Workflow Document
confidentialityCode	No special requirements for Workflow Document
creationTime	No special requirements for Workflow Document
entryUUID	No special requirements for Workflow Document
eventCodeList	For a Workflow Document, one code of this list shall be used to define the overall status of the workflow. This code shall have one of the following two values: <ul style="list-style-type: none"> code: urn:ihe:iti:xdw:2011:eventCode:open codingScheme: 1.3.6.1.4.1.19376.1.2.3 code: urn:ihe:iti:xdw:2011:eventCode:closed codingScheme: 1.3.6.1.4.1.19376.1.2.3 (See Section 5.4.5.7.)
formatCode	Each XDW Workflow Document shall have the following value for the formatCode attribute: code: urn:ihe:iti:xdw:2011:workflowDoc codingScheme: 1.3.6.1.4.1.19376.1.2.3
hash	No special requirements for Workflow Document
healthcareFacility TypeCode	No special requirements for Workflow Document
homeCommunityId	No special requirements for Workflow Document
languageCode	No special requirements for Workflow Document
legalAuthenticator	No special requirements for Workflow Document
mimeType	No special requirements for Workflow Document
patientId	No special requirements for Workflow Document
practiceSettingCode	No special requirements for Workflow Document

HL7, HEALTH LEVEL SEVEN and CDA are the registered trademarks of Health Level Seven International.

DocumentEntry Attribute	XDW Constraints
referenceIdList	Contains the workflow identifier. Only a single value shall be sent in this list. Only the CXi.1 and CXi.5 components shall be used: CXi.1 shall contain same value as XDW.WorkflowDocument.workflowInstanceId CXi.5 shall contain urn:ihe:iti:xdw:2013:workflowInstanceId.
repositoryUniqueId	No special requirements for Workflow Document
serviceStartTime	Shall be the starting time the service being documented took place For the Workflow Document the serviceStartTime is the time at which work began on the earliest task for this workflow. If present, shall have a single value.
serviceStopTime	No special requirements for Workflow Document
size	No special requirements for Workflow Document
sourcePatientId	No special requirements for Workflow Document
sourcePatientInfo	No special requirements for Workflow Document
title	No special requirements for Workflow Document
typeCode	For Workflow Documents defined by an IHE profile, the profile specifies the value of typeCode used. For other Workflow Documents defined in the XDS Affinity Domain, the XDS Affinity Domain specifies the value for typeCode.
uniqueId	No special requirements for Workflow Document
URI	No special requirements for Workflow Document

5.4.6.2 XDS SubmissionSet Metadata

4325 No additional constraints. See Section 4.2.3.3.

5.4.6.3 XDS Folder Metadata

No additional constraints