

Integrating the Healthcare Enterprise



5 **IHE Pathology and Laboratory Medicine
Technical Framework Supplement**

10 **Laboratory Analytical Workflow
(LAW)**

15 **Final Text**

20 Date: 2016-02-24
Author: IHE PaLM Technical Committee
Email: palm@ihe.net

25 **Please verify you have the most recent version of this document. See [here](#) for Trial Implementation and Final Text versions and [here](#) for Public Comment versions.**

Foreword

30 This is a supplement to the forthcoming IHE Pathology and Laboratory Technical Framework. Each supplement undergoes a process of public comment and trial implementation before being incorporated into the volumes of the Technical Frameworks.

This supplement is published as Final Text on February 24, 2016 and may be available for testing at subsequent IHE Connectathons. The supplement may be amended based on the results of testing. It will be incorporated into the Pathology and Laboratory Technical Framework.
35 Comments are invited and may be submitted at http://ihe.net/PaLM_Public_Comments.

This supplement describes changes to the existing technical framework documents and where indicated amends text by addition (**bold underline**) or removal (**~~bold strikethrough~~**), as well as addition of large new sections introduced by editor’s instructions to “add new text” or similar, which for readability are not bolded or underlined.

40 “Boxed” instructions like the sample below indicate to the Volume Editor how to integrate the relevant section(s) into the relevant Technical Framework volume:

<i>Replace Section X.X by the following:</i>
--

45 General information about IHE can be found at: www.ihe.net.

Information about the IHE Pathology and Laboratory Medicine domain can be found at: http://ihe.net/IHE_Domains.

Information about the structure of IHE Technical Frameworks and Supplements can be found at: http://ihe.net/IHE_Process and <http://ihe.net/Profiles>.

50 The current version of the IHE Technical Framework (if applicable) can be found at: http://ihe.net/Technical_Frameworks.

Acknowledgements

The authors of this document wish to recognize the following participants who contributed their time and expertise to the development of this guide.

55 The sponsoring organizations of the IHE Lab Committee:

- ASIP Santé
- The College of American Pathologists (CAP)
- The Japanese Association of Health Information Systems Industry (JAHIS)

Organizations that supported publication and IHE Connectathons:

- 60
- In Vitro Device Industry Connectivity Consortium (IICC)
 - NIST

The expertise and time from members of these organizations:

- A&T Corporation
- Abbott Diagnostics Division
- 65 • Association of Public Health Laboratories
- Beckman Coulter
- bioMérieux
- Data Innovations
- Hitachi High Technologies
- 70 • Inpeco SA
- MIPS
- Orchard Software
- Omnilab
- Roche Diagnostics
- 75 • Siemens Healthcare
- Sunquest Information Systems
- Systelab Technologies
- CRS4

80 This publication was supported by the Association of Public Health Laboratories (APHL) and by the Cooperative Agreement Number U60HM000803, funded by the Centers for Disease Control

85 and Prevention. Its contents are solely the responsibility of the authors and do not necessarily represent the official views of APHL, the Centers for Disease Control and Prevention or the Department of Health and Human Services. Funding support was provided from the following CDC institutes: National Center for Immunization and Respiratory Diseases (IP), Office of Surveillance, Epidemiology and Laboratory Services (OSELS) (OE), National Center for HIV, Viral Hepatitis, STDs and TB Prevention (PS), National Center for Zoonotic, Vector-Borne and Enteric Diseases (CK), National Center for Environmental Health (NCEH) and Coordinating Office for Terrorism Preparedness and Emergency Response (CTPER).

90 **CONTENTS**

	Introduction.....	10
	Profile Abstract	10
	Summary of changes brought to PaLM TF by this profile	10
95	Open Issues	10
	Closed Issues	11
	Volume 1 – Integration Profiles.....	16
	1.7 History of Annual Changes.....	16
	1.11 Glossary	16
100	2 Scope of the IHE PaLM Technical Framework.....	17
	3.1 Laboratory Profiles Synopsys of Usages and Dependencies	17
	3.2 Content Profiles for a regional healthcare community	17
	3.3 Dependencies among Integration Profiles	18
	3.4 Integration Profiles Overview	18
105	3.4.2 Laboratory Device Automation (LDA).....	18
	3.4.10 Laboratory Analytical Workflow (LAW)	18
	3.5.2 Usage of HL7 Standards in PaLM Technical Framework	19
	3.5.3 Relationships between units of work in the PaLM-TF	19
	3.5.3.4 Work Order Step (WOS, AWOS, SWOS).....	19
110	5 Laboratory Device Automation (LDA)	21
	5.1 Scope.....	21
	5.2 Use cases	22
	5.2.1 WOS downloaded on the LD before specimen arrival.....	23
	5.2.2 Query for the WOS at specimen arrival on the LD.....	24
115	5.2.4 Rerun on the Analyzer.....	25
	5.2.5 Summary of use cases on patient specimen WOS	25
	5.2.6 QC performed on an Analyzer	26
	5.4 Actors/Transactions.....	26
	5.5 LDA Integration Profile Options	28
120	5.6 Process Flow	28
	X Laboratory Analytical Workflow (LAW).....	29
	X.1 Scope	29
	X.2 Use Cases	30
	X.2.1 AWOS transfer to the Analyzer before specimen arrival.....	32
125	X.2.1.1 AWOS broadcast by the Analyzer Manager before specimen arrival.....	32
	X.2.1.2 AWOS query by the Analyzer for ALL specimens before specimen arrival	34
	X.2.2 AWOS Query by the Analyzer at specimen arrival	34
	X.2.3 AWOS created at the Analyzer	36
	X.2.4 Rerun	37
130	X.2.4.1 Rerun decided on the Analyzer immediately after the first run	38
	X.2.4.2 Rerun decided during technical validation on the Analyzer Manager	38

	X.2.4.3 Rerun decided during clinical validation on the Order Filler	39
	X.2.5 Reflex	39
	X.2.5.1 Reflex decided on the Analyzer.....	40
135	X.2.5.2 Reflex decided during technical validation on the Analyzer Manager	40
	X.2.5.3 Reflex decided during clinical validation on the Order Filler	41
	X.2.6 Retransmit results from Analyzer.....	41
	X.2.7 Summary of use cases on patient specimen AWOS.....	42
	X.2.8 QC performed on an analyzer	42
140	X.2.9 Pooling of patient specimens outside of the Analyzer	42
	X.2.10 Pooling of patient specimens on the Analyzer	44
	X.2.11 Result Handling	45
	X.3 Systems interconnection in the laboratory	45
	X.4 Actors/ Transactions.....	47
145	X.5 LAW Integration Profile Options.....	48
	X.6 Process Flow	49
	X.6.1 Normal process when Analyzers query at specimen arrival (default flow for bi-directional communication)	49
	X.6.2 Normal process when Analyzers receive AWOS prior to specimen arrival	50
150	X.6.3 Analyzers receive AWOS update prior to specimen arrival	51
	X.6.4 Normal process with AWOS entered manually at the Analyzer.....	52
	X.6.5 Automatic rerun on the Analyzer, triggered by out of range results	53
	X.6.6 Rerun requested by Analyzer Manager during technical validation	54
	X.6.7 Urgent tests performed before the arrival of the Analytical Work Order	55
155	X.6.8 Reflex test decided on the Analyzer	57
	X.6.9 Reflex test decided on the Analyzer Manager.....	57
	Appendix A – Actor Summary Definitions	60
	Appendix B – Transaction Summary Definitions.....	60
	Volume 2a – Transactions	62
160	1 Introduction.....	63
	1.6 History of Annual Changes	63
	2 Conventions	64
	W IHE LAW Common Segment Definitions	65
	W.1 HL7 Profiling Conventions	65
165	W.1.1 Message and Segment Usage Conventions	65
	W.1.2 Data Types.....	66
	W.1.2b Field Element Lengths.....	67
	W.1.3 Profile Types	69
	W.1.3.1 Basic Interface	70
170	W.1.3.2 Query	71
	W.1.3.3 Contributing Substances	72
	W.1.3.4 Dilutions	72
	W.1.3.5 Patient Demographics	73

	W.1.3.6 Analyzer Reflex	74
175	W.1.3.7 Analyzer Rerun	74
	W.1.3.8 Analyzer Manager Rerun/Reflex	75
	W.1.3.8b Analyzer Manager Rerun and Reflex Control	75
	W.1.3.9 AWOS W.1.3.9 AWOS Priority	75
	W.1.3.10 Specimen Details	76
180	W.1.3.11 Container Details	76
	W.1.3.12 Mass Spectrometry	77
	W.1.3.14 Related Observations	77
	W.1.3.15 External Result.....	77
	W.1.3.16 Pooling of Specimens on the Analyzer.....	78
185	W.1.3.17 Pooling of Specimens Outside the Analyzer	78
	W.1.3.18 Optional Message Elements	79
	W.2a HL7 Data Types.....	80
	W.2a.1 EI – Entity Identifier	80
	W.2a.2 EIP – Entity Identifier Pair	80
190	W.2a.3 ED – Encapsulated Data	80
	W.2 Messaging Details	80
	W.2.1 Specimen Identification.....	80
	W.2.2 Device Identification	82
	W.2.2b Coding Systems	84
195	W.2.3 Order and Result Vocabularies.....	85
	W.2.4 Units of Measure	87
	W.2.5 Observation Identification	88
	W.2.5.1 HL7 Message Elements	89
	W.2.5.2 Related Observations of a Run	92
200	W.2.5.3 Transmitting Observations.....	93
	W.2.5.4 Transmitting Supplemental Results	97
	W.2.6 Reflex Initiated at the Analyzer.....	102
	W.2.7 Message Identification and Acknowledgement.....	102
	W.2.8 MLLP Connections	104
205	W.2.9 Error Handling.....	105
	W.2.9.1 Receive a Malformed Message.....	105
	W.2.9.2 Receive a Message with Incorrect Message Control Content	105
	W.2.9.3 Reject an AWOS Request.....	106
	W.2.9.4 Receive a Negative Query Response for an Unknown Query.....	106
210	W.2.9.5 Receive an AWOS Request Acknowledgement with Inconsistent Content...	106
	W.2.9.6 Receive an AWOS Status Change with Inconsistent Content.....	106
	W.2.9.7 Reject A Query	107
	W.2.9.8 Receive a Query Acknowledgement with Inconsistent Content	107
	W.2.9.9 Management of Patient Data	107
215	W.2.9.10 Receive Unknown Message Content	108

	W.2.10 Ordering multiple replicates of the same battery or test.....	108
	W.3 LAW Segments	108
	W.3.1 ERR Segment	108
	W.3.2 INV Segment	111
220	W.3.3 MSA Segment	113
	W.3.4 MSH Segment	114
	W.3.4b NTE Segment	119
	W.3.5 OBR Segment.....	121
	W.3.6 OBX Segment.....	124
225	W.3.7 ORC Segment.....	137
	W.3.8 PID Segment.....	143
	W.3.9 PV1 Segment	146
	W.3.10 SAC Segment	147
	W.3.11 SPM Segment	153
230	W.3.12 TCD Segment	159
	W.3.13 TQ1 Segment.....	164
	3.8 AWOS Status Change (LAB-23).....	165
	3.Q Transaction LAB-27: Query for AWOS	165
	3.Q.1 Scope	166
235	3.Q.2 Use Case Roles	166
	3.Q.3 Referenced Standard.....	166
	3.Q.4 Interaction Diagram.....	167
	3.Q.5 Message Static Definitions	167
	3.Q.5.1 Trigger Events	167
240	3.Q.5.2 Message Semantics	167
	3.Q.5.3 Expected Actions	168
	3.Q.5.4 QPD Segment	169
	3.Q.5.5 RCP Segment.....	176
	3.Q.5.6 QAK Segment.....	176
245	3.R Transaction LAB-28: Analytical Work Order Step Broadcast.....	177
	3.R.1 Scope	177
	3.R.2 Use Case Roles	178
	3.R.3 Referenced Standard.....	178
	3.R.4 Interaction Diagram	179
250	3.R.5 Message Static Definitions	179
	3.R.5.1 Trigger Events.....	179
	3.R.5.2 Message Semantics	179
	3.R.5.3 Expected Actions	184
	3.Y Transaction LAB-29: AWOS Status Change.....	185
255	3.Y.1 Scope	185
	3.Y.2 Use Case Roles	185
	3.Y.3 Referenced Standard.....	185

	3.Y.4 Interaction Diagram.....	186
	3.Y.5 Message Static Definitions.....	186
260	3.Y.5.1 Trigger Events	186
	3.Y.5.2 Message Semantics.....	186
	3.Y.5.3 Expected Actions.....	190
	Volume 2x – Appendices	191
	Appendix C – Common HL7 Message Segments for IHE PaLM TF	191
265	C.2 NTE – Notes and Comment Segment	191

Introduction

Profile Abstract

270 Laboratories and their vendors spend a great deal of time and money connecting analyzers and IT systems to one another. This is a worldwide challenge that results from inconsistency in the way that data exchange standards are applied in most modern laboratory equipment.

275 The purpose of the new LAW Profile is to improve interoperability between IVD testing systems and health informatics systems by reducing complexity and variability in the exchange of information related to patient and QC test orders and to the result thereof. The exchange of any other information is currently out of scope but could be considered in further revisions.

Summary of changes brought to PaLM TF by this profile

The integration of this supplement shall bring the following changes to the PaLM TF:

Volume 1:

- 1.7 Scope of changes introduced in the current year
- 280 • 1.11 Glossary: New terms
- Add a new chapter describing LAW Profile
- Update LDA Profile, by deprecating the Analyzer Actor and the transactions used by it.
- Appendix A: revise actors descriptions as needed
- Appendix B: revise transactions descriptions as needed
- 285 • Volume 2:
- 1.6 Scope of changes introduced in the current year
- Add new chapters for the transactions of the LAW Profile
- Remove the AWOS related stuff from the LDA transactions

Open Issues

290 **LAW-15: Support for GB18030-2005 as a Character.** Determine if GB18030-2005 needs to be supported as a character set due to Chinese regulations.

LAW-28: Format the Supplement Based on the Latest IHE Templates. Update content to match latest template for profile supplements.

295

Closed Issues

LAW-01: Patient Specimens pooling in the analytical workflow. The scope of the IHE PaLM TF is extended to support the use cases whereby samples from multiple patients are pooled into a single specimen. This use case happens for instance with some bio molecular diagnostic analysis.
300 The only profile impacted by this use case is the LAW Profile, in case the Analyzer Manager Actor manages the pooling of patient samples, and the analyzer has to be informed that the specimen is pooled. The specificity is that the ordering and results messages in this use case are not related to any patient, since the specimen tested is not related to a single patient. The analyzer has to be informed of the number of patients pooled in the specimen since this
305 influences the testing (dilution of a positive sample in a pool of negative ones). This use case is described in both Volume 1 and 2 of the profile.

LAW-02: Enhanced acknowledgement versus original acknowledgement. For compatibility with implementations relying on LAB profiles, as well as with IT Infrastructure leveraged by the
310 LAB profiles, the IHE PaLM TF will stick to its original acknowledgement mode for most of its transactions. However, the enhanced acknowledgement mode shall be required in the new "Laboratory Analytical Workflow" Profile. This mode will be operated as follows: The sending application shall populate field MSH-15 with value "NE" and field MSH-16 with value "AL", thus instructing the receiving application to never send an "accept acknowledgement" and to
315 always send an applicative acknowledgement. Thus there shall be always one and only one acknowledgement message coming back to the sending application — same as in the original acknowledgement mode, but enabling more flexibility in further developments of the LAW Profile.

LAW-03: Broadcast mode versus Query mode for transmission of an AWOS to an Analyzer. Broadcast mode puts a storage burden on the Analyzers, as they must persist more
320 WOSs than will actually be run on the analyzer. Additional communication between Analyzers and the Analyzer Manager is also required due to the transmission of the orders to all potential instruments and the follow up cancel message, or update message.
325 Query mode puts a processing and communication burden on the Analyzer Manager and Analyzers. Once the specimen is presented to the Analyzer, the query must be communicated to the Analyzer Manager and query response must be received in a timely manner. The assumption is that the Analyzer is ready to process the specimen and Analyzer throughput will be impacted by delays in the query response.
330 Based on an analysis of the two modes, it is recommended that Query Mode be mandatory, and Broadcast Mode left optional.

Query Mode was selected as a mandatory AWOS transmit mode for the following reasons:

- It is supported by most recent generation analyzers and is commonly used.

- 335
- It supports the Client-Server paradigm where the analyzer (client) makes a request of the server (Analyzer Manager) for information.
 - It reduces the messaging overhead by eliminating unnecessary messages. A message transaction is initiated only when a sample is presented to an analyzer.
 - It minimizes the messaging and storage impacts on the analyzer by eliminating the transmission of work order steps and cancellation of work order steps for tests that will not be performed by the analyzer, as well as the forwarding of updates (like patient identity correction or clinical information correction) on AWOS formerly transmitted to the Analyzer.
- 340

345 **LAW-04: Selection of the baseline standard, HL7®¹.** HL7 version 3 has been put aside mainly for complexity and lack of adoption. The orientation will be a compromise between two goals:

- Use the state-of-the art version 2 available at time of profile release (e.g., 2.8).
- Market readiness: Use a version that the vendors are ready to implement (e.g., 2.5.1).

The consensus of the messaging team was to use v2.5.1 for the following reasons:

- 350
- The use of versions after v2.5.1 might be considered an obstacle to adoption
 - The team's experience indicates that v2.5.1 contains the core elements necessary to support the Volume I use cases

355 **LAW-05: “Sequential” versus “Overlapping” queries for AWOS on a specimen.** Two messaging approaches have been identified that support an Analyzer query for pending AWOS on a specimen.

- Sequential query: The analyzer sends a query for a specimen and waits for the applicative response before sending another query for another specimen.
 - Overlapping query: The analyzer does not have to wait for the response of the prior query before sending the next one.
- 360

In both approaches, the response from the Analyzer Manager comes in two messages. The first one simply acknowledges the query and notifies the intent to treat it but does not contain any operational data. Then the effective search for existing AWOS is performed and the output is the operational response to the query, as an OML^O33 message. The two pending issues are:

¹ HL7 is the is the registered trademark of Health Level Seven International.

- 365
- What pair of messages to be used for the query and acknowledgement (QBP/RSP or SSU/ACK), in one or the other approach or in both? The QBP/RSP message will be used for the query, since this is a query for an AWOS and not a specimen status update.
 - What field is to be used to notify “no pending AWOS for this specimen” in the operational response message? The decision is to use ORC-1 with a value of DC, and no observation request segment group is provided.
- 370

LAW-06: Time of uniqueness of the AWOS identifier. The profile states (Section X.2, second to last paragraph) that the Analyzer Manager must guarantee uniqueness of the AWOS ID. One possible method suggested is unique over a reasonable period of time-frame to be established by the Analyzer Manager vendor. This takes into account market-readiness and the objectives of this profile in terms of reducing the daily cost of device interfaces.

375

LAW-07: Use of Cancel/New rather than Update in X.2 Use Cases. The LAW Profile use cases should reflect that in order to update an AWOS, the AWOS must be cancelled and a new AWOS transmitted. An update of an existing AWOS is not supported. Modifications were made to *X.2.1.a AWOS broadcast by the Analyzer Manager before specimen arrival*, *X.2.2 AWOS Query by the Analyzer at specimen arrival*, and *X.2.3 AWOS created at the Analyzer* to reflect this approach.

380

LAW-08: Correct Use Case Titles in Figure 5-1. The use case titles in the figure need to be corrected. For example, X.2.3 is “AWOS Created at the Analyzer”. A new diagram was created that corrected the use case names and also provided an improved organization of the use case execution. The figure was designation was also changed to Figure X.2.7-1.

385

LAW-09: Update Figure X.6.2-1, X.6.3-1, X.6.6-1. The title if LAB-28 was changed to “Broadcast AWOS” in all X.6.x figures.

390

LAW-10: Correct Process Flow X.6.1 and Figure X.6.1. The process flow and diagram were updated to reflect the use the two-part message exchange (LAB-27 followed by LAB-28) for a query.

395

LAW-11: Correct Process Flow X.6.3 and Figure X.6.3-1. The process flow and diagram were updated to reflect the use of a Cancel followed by a New Order for an AWOS update.

400 **LAW-12: Correct Process Flow Figure X.6.7-1 associated with Process Flow X.6.7.** The diagram was corrected to use a LAB-27 followed by a LAB-28 for the query exchange. The process flow was updated.

405 **LAW-13: Update Element Tables to be consistent across all Segments.** The tables were updated to provide more consistency.

LAW-14: Define Value(s) for MSH-3. The profiles specifies only MSH 3.1 is required and it is a vendor specific value of type IS, which supports a user-defined table of legal string values.

410 **LAW-16: Define Value(s) for MSH-21.** Section W.3.4 describes that MSH-21 is populated by using MSH-21.1 and MSH-21.2 in the form “<domain>-<transaction number>^IHE”. For example, “LAB-27^IHE” is used when the message represents LAB-27. All other components are removed from the element table.

415 **LAW-17: Provide Guidance on use of OBR-29.** Only the first field of EIP.1 will be populated with a Parent AWOS-IS.

LAW-18: Using UCUM in W.1A.4, OBX-6, and SAC-25. Guidance provided for using UCUM for the contents of OBX-6 and SAC-25. Additional information in Section W.2.4 was added.

420

LAW-19: Define Flags for OBX-8. A required set of flags that an Analyzer Manager should support is defined. In addition, it was noted that an Analyzer may extend the table with additional flags.

425 **LAW-20: Check Completeness of Table 0085 used for OBX-11.** Additional value for rerun or corrected result was added: “C – Record coming over is a correction and thus replaces a final result”.

430 **LAW-21: Provide Guidance on Supported Values for PID-10.** The only guidance provided is that a user-defined table (HL7 User-defined Table 0005 - Race in the HL7 specification) should be used.

435 **LAW-22: Confirm Definition of SID-1.1 is acceptable.** SID-1.1 is further decomposed into additional subcomponents so that it contains information similar to INV-1 and INV-3. Need to confirm this is acceptable as it extends the HL7 2.5.1 standard.

440 **LAW-23: Confirm sub-component usage of SPM-2, SPM-3.** Only SPM-2.1 and SPM-3.1 are specified to be populated. The sub-component Entity Identifier is required. Sub-components Namespace ID, Universal ID, and Universal ID Type are conditional. Either Namespace ID or both Universal ID and Universal ID Type are required.

LAW-24: Provide Additional Guidance on use of SPM-4. The use of HL7 Table 0487 – Specimen Type is mandated, and the Analyzer can identify extensions to the table as well as a subset of specimen types that are supported.

445 **LAW-25: Update Diagram in Q.2, Q.4, R.2, R.4.** The diagrams, along with Y.2 and Y.4 were updated to use the Analyzer Manager and Analyzer Actors.

LAW-26: Update Diagram in R.4. The Order Modify exchange was removed.

450 **LAW-27: Confirm W.1A.1, SPM-2, SPM-3, SAC-3, SAC-4 meet intent of CP 171.** The message details, field definition, and field usage content related to container/specimen identification are consistent with CP 171.

Volume 1 – Integration Profiles

1.7 History of Annual Changes

455 *Add the following bullet to the list in Section 1.7*

- Added the LAW Profile which supports the workflow of IVD test work order steps and the results thereof between IVD analyzers and the systems driving their work (LIS or LAS). This workflow has been removed from the LDA Profile, which keeps only the workflow between automation managers and pre or post-processors.

460 1.11 Glossary

Add the following terms to the Glossary in Section 1.11

465 IVD: In vitro diagnostic. This abbreviation is related to the processing of tests on in vitro specimens. A laboratory device (see term “LD”) is usually an IVD device, and performs work order steps (see term “WOS”).

LAW: Laboratory Analytical Workflow integration profile

Panel: Synonym for Battery (see this term)

UML: Unified Modeling Language

470 *Correct the following terms in the Glossary in Section 1.11*

~~AWOS Analytical Work Order Step: A WOS **in the LAW profile, representing a test or panel to be performed on a specimen by an Analyzer in LDA integration profile, producing observations.**~~

475 LDA laboratory device: A Pre/Post processor in the LDA Profile. An Analyzer in the LAW Profile.

Work Order Step: A battery or test requested by the Order Filler Actor to the Automation Manager Actor

480 ~~WOS: A Work Order Step (WOS) is an atomic operation on one specimen contributing to a Work Order on that specimen. The WOS is a SWOS created by the Automation Manager in the LDA profile, and an AWOS created by the Analyzer Manager in the LAW profile. In both cases the WOS is identified, bound to the specimen, and assigned to a Laboratory Device (LD).~~

2 Scope of the IHE PaLM Technical Framework

485 *Scope of PaLM TF is unchanged by this new profile.*

3.1 Laboratory Profiles Synopsis of Usages and Dependencies

Replace existing Section 3.1 by the following section

490 The synopsis below shows the integration profiles from the PaLM Technical Framework with their usage across the organizations. The XD-LAB Profile is a content profile specifying the template for electronic laboratory reports.

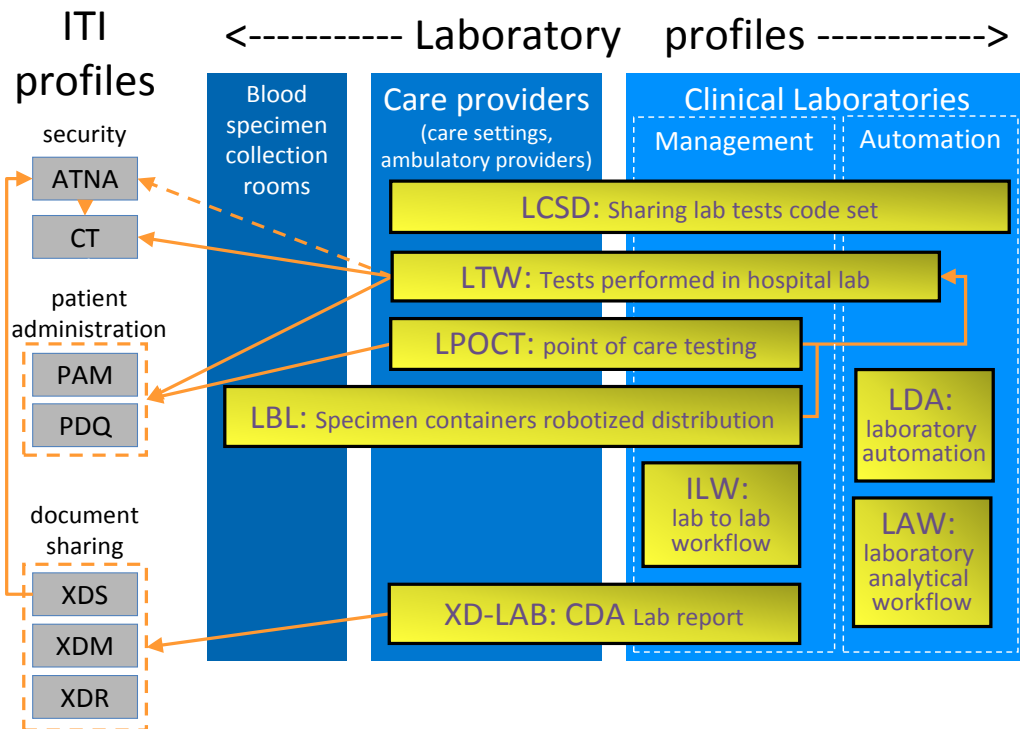


Figure 3.1-1: Laboratory Profiles Usages and Dependencies

495 3.2 Content Profiles for a regional healthcare community

Empty the existing Section 3.2

This section is left empty in the current release of this volume.

500

3.3 Dependencies among Integration Profiles

Add the line of dependencies of the LAW Profile into Table 3.3-1, below the LDA line. Both profiles are standalone, and can be implemented independently of any other profile.

505

Suppress note (1) below the table.

Integration Profile	Depends on	Dependency Type	Purpose
...			
Laboratory Device Automation (LDA)	LTW none	The system implementing the AM Actor in LDA Profile shall also implement AM in LTW Profile. (1)	The AM Actor is breaking Work Orders received in LTW Profile into Work Order Steps for processing in LDA Profile.
Laboratory Analytical Workflow (LAW)	none		

Note (1): There is no difference of capabilities for the AM Actor between LTW Profile and the former set of deprecated profiles LSWF and LIR.

510

3.4 Integration Profiles Overview

Update the 3.4.2 sub-section suppressing the word “analyzer”, as follows

3.4.2 Laboratory Device Automation (LDA)

The Laboratory Device Automation (LDA) Integration Profile describes the workflow between the Automation Manager and a set of non-analytical laboratory equipment (pre-analytical devices, ~~analyzers,~~ post-analytical devices) involved in the testing process.

515

Add the 3.4.10 sub-section as follows (note that 3.4.9 is already booked by the ILW supplement)

3.4.10 Laboratory Analytical Workflow (LAW)

The Laboratory Analytical Workflow (LAW) Integration Profile supports the analytical workflow of IVD test work order steps and their results between IVD analyzers and the systems driving their work (LIS or LAS).

520

3.5.2 Usage of HL7 Standards in PaLM Technical Framework

Complement Table 3.5.2-1 by adding a line for LAW, as follows.

Table 3.5.2-1: Versions of standard in use in the LAB TF profiles

PaLM TF Profile	HL7	CLSI
LTW – Laboratory Testing Workflow	2.5 & 2.5.1	
LDA – Laboratory Device Automation	2.5 & 2.5.1	
LBL – Laboratory Barcode Labeling	2.5 & 2.5.1	
LPOCT – Laboratory Point Of Care Testing	2.5	POCT1-A
LCSD – Laboratory Code Set Distribution	2.5 & 2.5.1	
XD-LAB – Sharing Laboratory Reports	CDA r2 in HL7 v3 normative edition	
LAW - Laboratory Analytical Workflow	2.5.1 (pre-adopted elements from 2.6, 2.7, 2.8.1, 2.8.2 & 2.9)	

525

3.5.3 Relationships between units of work in the PaLM-TF

Update Section 3.5.3.4 (WOS), to reflect more precise requirements

3.5.3.4 Work Order Step (WOS, AWOS, SWOS)

Content of this section replaced by this one:

530

A Work Order Step (WOS) is an atomic operation requested on one specimen, contributing to a Work Order on that specimen. The WOS is created by the Automation Manager in the LDA Profile, and by the Analyzer Manager in the LAW Profile. In both cases the WOS is identified, bound to the specimen, and assigned to a Laboratory Device (LD). Messages related to that WOS contain the WOS identifier and properties, as well as the specimen identification (by id and/or by position) and properties. Among the WOS properties, the WOS code represents the type of atomic operation expected. This code can be omitted if this operation is unambiguously implicit for the LD.

535

- The WOS is a SWOS in the LDA Profile. It is assigned a unique SWOS identifier by the Automation Manager, which must be memorized by the Pre/Post-processor and included in all messages related to that SWOS.

540

- 545
- The WOS is an AWOS in the LAW Profile. It is assigned a unique AWOS identifier by the Analyzer Manager, which must be memorized by the Analyzer and included in all messages related to that AWOS. The AWOS represents an IVD test or panel. The Analyzer is expected to produce the observations corresponding to that test or panel performed on the specimen.

5 Laboratory Device Automation (LDA)

This chapter does not talk about the LAW Profile! New readers to IHE PaLM TF can skip it.

550

This chapter describes the removal of the analytical workflow from LDA Profile, which will be restricted from now on, to the workflow of non-analytical laboratory devices (decapper, robotic transportation, diluter, refrigerated storage...). The analytical workflow will be taken care of solely by the LAW Profile described further in Section X of this supplement.

555

Remove from this Chapter 5, all texts, shapes on figures, and other artifacts referring to the Analyzer Actor, the analytical process, AWOS, testing, tests, panels, QC testing. From now on, all these concepts are removed from LDA and transferred to the LAW Profile. The sections updated are: 5.1 Scope, 5.2 Use cases, 5.6 Process Flow

5.1 Scope

Section 5.1 updated as follows:

560

The LDA Integration Profile supports the workflow for the automated technical section of the clinical laboratory:

565

The Laboratory Device Automation Integration Profile covers the workflow between an Automation Manager application (e.g., a LAS or a LIS) and a set of automated Laboratory Devices (LD) to process a Work Order, perform the tests on the related specimens and retrieve their results various automated steps on the specimen related to a Work Order. This processing includes the pre-analytical process of the specimen (sorting, centrifugation, aliquoting, transportation, decapping) the analytical process itself (run of the ordered tests on the specimen) and the post-analytical process (recapping, transportation, rerun, dilution, storage and retrieval).

The analytical process (testing on the analyzer and reporting back the observations) is out of the scope of the LDA Profile and transferred to the LAW Profile.

570

This LDA Profile strictly addresses the workflow between Automation Managers and Laboratory Devices (LD) operated by the clinical laboratory staff. ~~Devices operated by the clinical ward staff, are supported by another profile: LPOCT, and are therefore out of scope of LDA.~~

575

The Automation Manager receives a Work Order from the Order Filler, splits it into a sequence of one or more **Work Order Steps (WOS)**, each of which is entrusted to an automated device implementing an actor (Pre/Post-processor, ~~Analyzer~~).

A WOS is operating on one single specimen.

This profile covers various situations such as: Work Order Step downloaded before specimen arrival, Work Order Step obtained by query after specimen recognition on the device, Work Order Step manually entered on the automated device.

580 Except for the robotic transportation of the specimen, this profile does not address the handling of an automated device through an electromechanical interface. It only carries the Work Order Steps related information, and the status of these Work Order Steps, and the results obtained.

Among the sequence of WOS issued from a Work Order, the particular WOS that instructs the Analyzer to perform the tests is called the Analytical Work Order Step (AWOS). The other WOS
585 of the sequence operating on the specimen do not produce observations and are called Specimen Work Order Steps (SWOS). **The LDA Profile deals only with SWOS. AWOS are dealt with by the LAW Profile.**

The transactions carrying the AWOS instruct the analyzer to perform a list of tests on a particular specimen. It does not say how to perform them: The electromechanical handling of an analyzer is
590 out of scope of this profile.

The specimen may arrive on an automated device before or after the WOS referring to it has been delivered. In both cases, the specimen and the WOS (instruction) must be both present on the device in order for the step to be performed.

This LDA Profile also addresses the testing of QC specimen on an Analyzer, and the upload of
595 QC results from the Analyzer to the AM. An Analyzer can fulfill both patient specimen AWOS and QC specimen AWOS. The LTW Profile supports the upload of QC results from the AM to the Order Filler. Thus the combination of both profiles enables the centralization of QC results of all the Analyzers of the clinical laboratory, on the Laboratory Information System.

In some situations, the recognition of the specimen (by its ID or position) or the WOS content
600 can be entered manually on the LD user interface.

The primary specimen ID may be provided by one of OP, OF or LIP Actors. In case a SWOS instructs an aliquoter to prepare aliquot specimen, a new ID coded on a new barcode label will be required for each aliquot produced. These IDs and labels may be provided by the Automation Manager or by the aliquoter or by a third party. The organizational details of the labeling process
605 are out of the scope of this profile, which only recommends that barcode labels be readable (e.g., format and length of the barcode, label format) by all the LD that will perform a WOS on this specimen.

The profile includes the LD's ability to accept or reject a WOS, with the notice of specimen arrival to the Automation Manager. ~~It also includes the ability of an Analyzer to modify the content of an AWOS, for instance adding automatically a new test, depending on the results obtained on the original tests.~~
610

Observation results tracking implies the ability of each actor (Analyzer, Automation Manager) to store the raw results, before refining, converting or interpreting them. This safe storage is not described in this profile.

615 5.2 Use cases

<i>Update the text of Section 5.2 before 5.2.1, as follows</i>
--

620 All the use cases for patient specimen testing defined in this section start with a Work Order sent by the Order Filler to the Automation Manager. The Automation Manager splits this Work Order into a sequence of Work Order Steps, and schedules each step on a LD (aliquoter, robotic conveyer, **analyzer**...) according to the organization of the laboratory automation.

Each WOS contains all **information data** required by the target device to perform it: container identification, specimen information, target ID, operation to perform, scheduled time...

625 The Analytical Work Order Step (AWOS) also contains the list of clinical tests to perform, the patient identification, admission and clinical information, the order information... The specimen information may include the ID, position, specimen type, volume, date and time of collection, ID of collector, specimen pre-analytical status (e.g., “centrifuged”, “decapped”...).

For some Analyzers which perform single test (e.g., HbA1c), or a constant panel (Blood culture, Blood cells count...), the AWOS need not mention the tests to be performed.

630 By definition, a **Work Order Step is related to a single specimen**. The specimen (primary or aliquot) is usually identified with a unique ID printed on a barcode label stuck to the specimen container.

The laboratory technical staff supervises the various WOS using the Automation Manager and operating all necessary LDs. The technical staff performs the technical validation of the results on the Automation Manager, which then, sends these results back to the Order Filler.

635 Should a specimen be damaged or lost, the Automation Manager will suspend or cancel its Work Order until the replacement specimen arrives. This section also provides two use cases for QC testing.

5.2.1 WOS downloaded on the LD before specimen arrival

Update the final part of the scenario as follows:

640 Final part of the scenario:

- r) The LD performs the WOS on that specimen.
- s) The LD notifies the Automation Manager, with the status of the performed step. In case of an AWOS on an Analyzer, this notification message contains the results and status of the performed clinical tests.

645

Append the following figure at the end of Section 5.2.1:

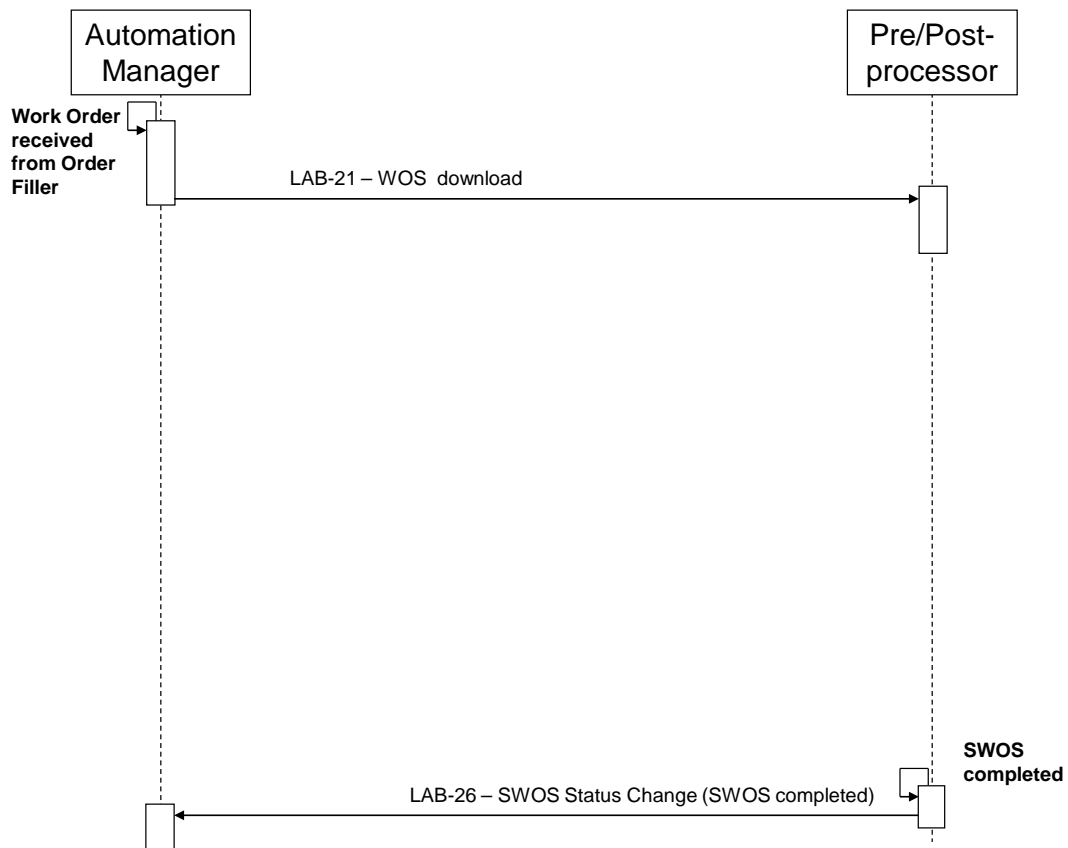


Figure 5.2.1-1: Process Flow for WOS downloaded before specimen arrival

650 **5.2.2 Query for the WOS at specimen arrival on the LD**

Append the following figure at the end of Section 5.2.2:

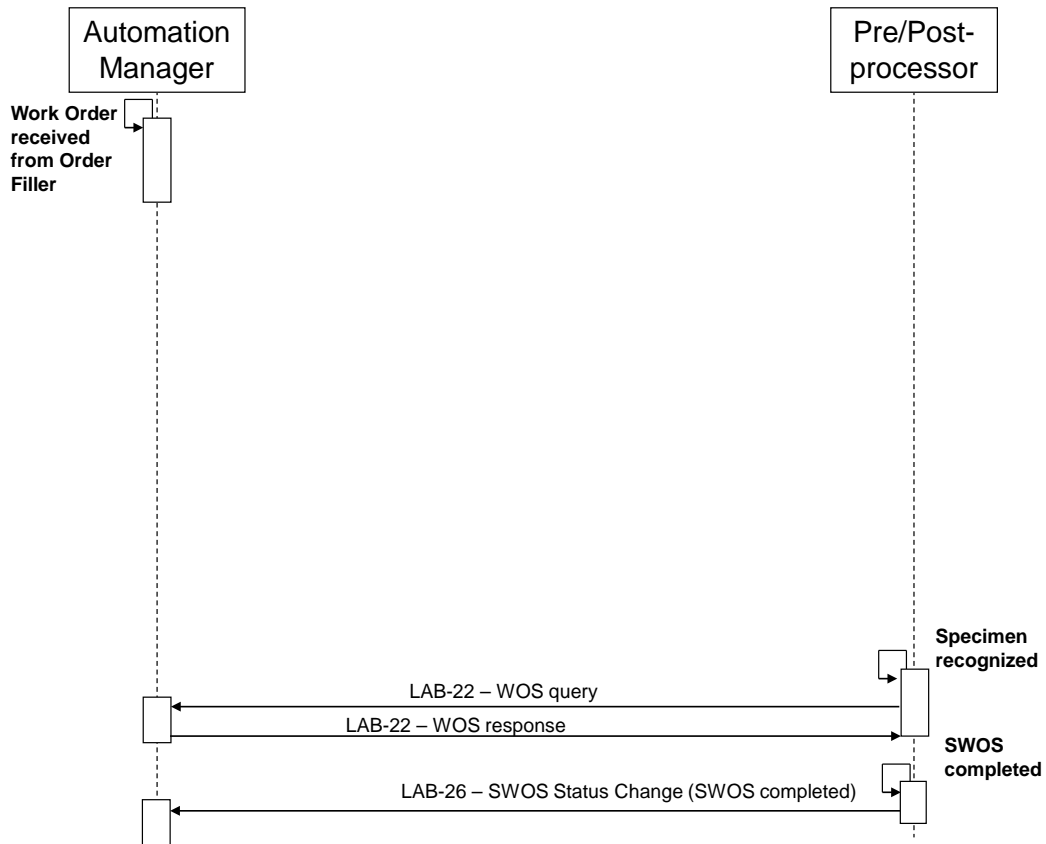


Figure 5.2.2-1: Process Flow for WOS queried at specimen arrival on the LD

655 **5.2.4 Rerun on the Analyzer**

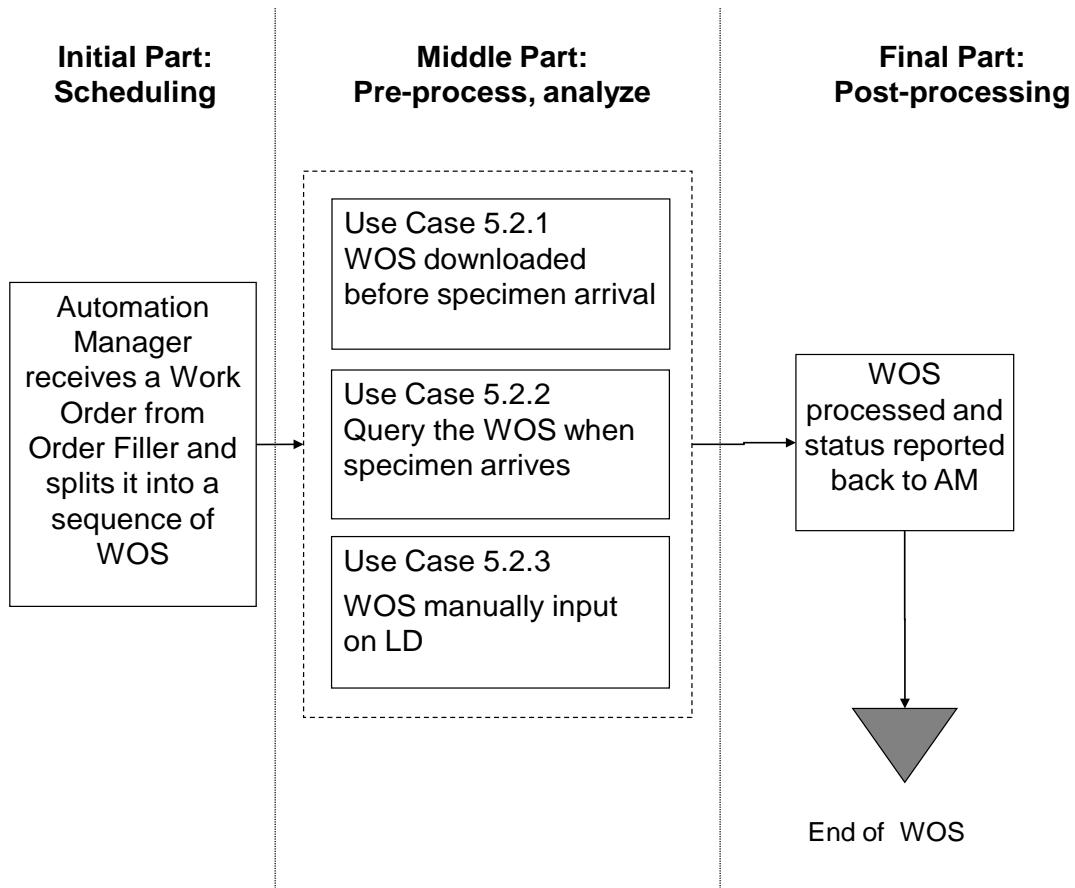
Remove completely the content of this Section 5.2.4, including the content of Subsections 5.2.4.1 through 5.2.4.3, leaving the section blank, as follows:

This section is intentionally left blank.

660

5.2.5 Summary of use cases on patient specimen WOS

Replace Figure 5.2.5-1 by the following one:



665

Figure 5.2.5-1: LDA use cases on patient specimen WOS

5.2.6 QC performed on an Analyzer

670

Remove completely the content of this Section 5.2.6, including the content of Subsections 5.2.6.1 through 5.2.6.3, leaving the section blank, as follows:

This section is intentionally left blank.

5.4 Actors/Transactions

675

5.4 Actors/Transactions rewritten by removing the Analyzer Actor and related transactions as below:

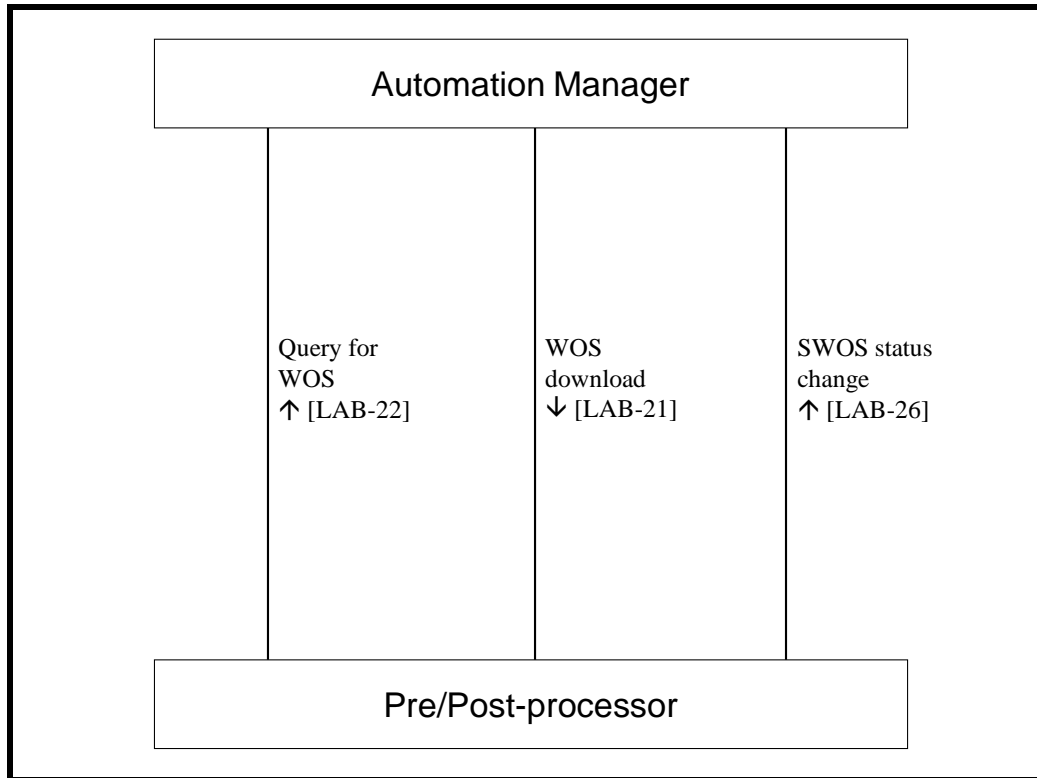


Figure 5.4-1: Laboratory Device Automation Actor Diagram

680

Table 5.4-1 lists the transactions for each actor involved in the LDA Profile. To claim support of this integration profile, an implementation of an actor must perform the required transactions (labeled “R”). Transactions labeled “O” are optional and define the profile options explained in Section 5.5 below.

685

Table 5.4-1: LDA Integration Profile - Actors and Transactions

Actors	Transactions	Optionality	Section in Vol. 2
Automation Manager	LAB-21 : WOS Download	R	LAB TF-2: 9
	LAB-22 : WOS Query	R	LAB TF-2:10
	LAB-26 : SWOS Status Change	R	LAB TF-2:12
Pre/Post-processor	LAB-21 : WOS Download	O	LAB TF-2: 9
	LAB-22 : WOS Query	O	LAB TF-2:10
	LAB-26 : SWOS Status Change	R	LAB TF-2:12

5.5 LDA Integration Profile Options

690

5.5 Actors/Transactions rewritten by removing the Analyzer Actor and related transactions as below:

Options which may be selected for this integration profile are listed in Table 5.5-1 along with the actors to which they apply:

Table 5.5-1: Laboratory Device Automation - Actors and Options

Actor	Options	Vol. & Section
Automation Manager	None	
Pre/Post-processor (1)	Query mode WOS	
	Download mode WOS	

695

Query mode WOS: A Pre/Post-processor implementing this option must support transaction LAB-22.

Download mode WOS: A Pre/Post-processor implementing this option must support transaction LAB-21.

700

Note 1: To claim for the LDA Integration Profile conformance, a product implementing a Pre/Post-processor Actor must support at least one of the two transactions LAB-21 and LAB-22, together with the mandatory transaction LAB-26.

~~5.6 Process Flow~~

705

Remove completely Section 5.6

X Laboratory Analytical Workflow (LAW)

X.1 Scope

710 The LAW Integration Profile supports the analytical workflow between analyzers of the clinical laboratory and the systems managing their work.

This LAW Profile covers the workflow of “Analytical Work Order Steps” (AWOS) between an Analyzer Manager application (e.g., a LAS or a LIS) and an Analyzer (an IVD device). This workflow handles the processing of IVD tests by the Analyzer, on specimen materials. Both patient and quality control (QC) specimens are in scope.

715 All specialties of clinical laboratories (including blood bank testing) are in scope.

Tests performed on the point of care by the ward staff or the patient are out of scope of this profile, and addressed by the LPOCT Profile instead.

720 An AWOS is an analytical service to be performed by an analyzer on a specimen. The AWOS is ordered by means of a code representing this analytical service. The code may represent an elementary test (e.g., “measure the glucose level of the specimen”) or a panel of several elementary tests. In all cases the analytical service is expected to produce observations on the specimen that will be reported back by the Analyzer. The AWOS does not say how to perform the analytical service. The electromechanical handling of an analyzer is out of scope of this profile.

725 Some analyzers, such as those that perform a fixed test menu on all samples, only support the transfer of the test result. Other analyzers support both an AWOS transfer and a result transfer, or bi-directional communication. This profile covers bi-directional analyzers receiving their AWOS both in push mode (unsolicited work order steps) and in pull mode (query for one specimen, and query all). The profile also supports an AWOS manually entered at the analyzer (see process
730 flow *X.6.4 Normal process with AWOS entered manually at the Analyzer*), as well as an analyzer automatically performing a test without the need for an AWOS transfer. For bi-directional analyzers, the default behavior of the analyzer must be to operate in a query (pull) mode. Because an Analyzer Manager will communicate with a variety of analyzers, an Analyzer Manager must support bi-directional communication. An Analyzer Manager must also assume
735 that all analyzers operate in query mode, unless configured otherwise.

The results of the tests are sent to the Analyzer Manager in push mode (automatically and/or triggered by a manual operation from the technician operating the analyzer).

The specimen may arrive on an analyzer before or after the AWOS referring to it has been delivered.

740 This LAW Profile also addresses the testing of QC specimen on an Analyzer and the sending of QC results from the Analyzer to the Analyzer Manager.

Both the specimen and the AWOS must be present on the Analyzer for the AWOS to be performed.

745 The profile includes the Analyzer’s ability to accept or reject an AWOS, with the notice of specimen arrival to the Analyzer Manager. It also includes the optional ability of an Analyzer to modify the content of an AWOS. For example, automatically adding a new reflex test to the panel or single test originally requested by the AWOS, given the preliminary results obtained.

750 An AWOS is bound to a single specimen unambiguously identified through a specimen container ID and/or a geographic position (carrier, tray, plate ...) on the analyzer. The specimen container ID is a mandatory datum of the transactions dealing with the AWOS. Moreover, the specimen container ID is usually visible on the specimen container (e.g., as a bar-coded label sticker), so as to be read and recognized by the analyzer. More than one AWOS may be bound to the same specimen.

755 In addition to the specimen identification, the AWOS usually carries a number of specimen properties (e.g., specimen type, target site, specimen role (patient / QC), specimen pooled or not, dilution factor, time of specimen collection, collector...).

Observation result tracking implies the ability of each actor (Analyzer, Analyzer Manager) to store the raw results, before refining, converting or interpreting them. This safe storage is not described in this profile.

760 The LAW Profile defines a basic, or common, set of mandatory information for the AWOS and result transfer. The AWOS transfer information can be used by any Analyzer to perform the proper test on the proper sample, while the result transfer information can be used by any Analyzer Manager to record the outcome of the test. However, Analyzers have different capabilities related to performing tests and reporting results. For example, an Analyzer may
765 provide the capability to perform a clinical evaluation of the test result. This might be accomplished automatically through the use of a rule engine, or the Analyzer might provide the capability for a user to manually evaluate the results through the user interface. In order to do so, the analyzer must receive additional, or enhanced, information from the Analyzer Manager. All enhanced information provided in the AWOS or result transfer will be considered optional.

770 **X.2 Use Cases**

Use cases related to patient and QC specimen testing defined in this section primarily cover Work Orders received by the Analyzer Manager. The Analyzer Manager splits this Work Order into Analytical Work Order Steps (AWOS), and schedules each AWOS on an Analyzer according to the organization of the laboratory equipment. An AWOS “work list” sent to each
775 Analyzer may contain one or more AWOS for one or more specimens. A work list may also be associated with a single patient. If possible, the Analyzer will produce a technically validated result and report that value to the Analyzer Manager. Optionally, the Analyzer may provide the ability to perform a clinical evaluation of the result based on enhanced information provided by the Analyzer Manager in the AWOS.

780 It is assumed that an Analyzer is configured to operate in either “query” (expected default) or
“broadcast” mode when supporting bi-directional communication. In a “query” mode, an
Analyzer queries for a list of AWOS by following use cases *X.2.2 AWOS Query by the Analyzer*
at specimen arrival or *X.2.1.2 AWOS query by the Analyzer for ALL specimens before specimen*
785 *arrival* for normal processing. In a “broadcast” mode, the Analyzer Manager automatically
broadcasts the list of AWOS to the Analyzers by following use case *X.2.1.1 AWOS broadcast by*
the Analyzer Manager before specimen arrival for normal processing. This profile does not
consider a mixed configuration of “query” and “broadcast” to be a valid mode for an Analyzer,
as this greatly complicates the use cases. In addition, this profile also assumes that either
Analyzers query for a given AWOS or a given AWOS is broadcast to the Analyzers. This profile
790 considers a mix of Analyzers in “query” mode and Analyzers in “broadcast” mode that can
perform the same AWOS to be out of scope, as once again it greatly complicates the use cases.

Each AWOS contains all data needed by the target device (Analyzer Actor) to perform it:
specimen container identification, specimen properties, coded analytical service (test or panel) to
perform, etc. The specimen properties may include the ID, position, specimen type, volume, date
795 and time of collection, ID of collector, specimen pre-analytical status (e.g., “centrifuged”,
“decapped”...).

In case the specimen is related to a patient, the AWOS may contain patient identification and
other patient administrative or clinical data relevant for the process.

800 In case the specimen is related to an Order Group (see this term in the Glossary Section 1.11 and
in Section 3.5.3) placed to the laboratory for this patient, the AWOS may contain the Order
Group identification and some of its properties (e.g., ordering physician, date time when this
order group was placed to the laboratory).

For some Analyzers that perform a single test (e.g., HbA1c) or a constant panel (Blood culture,
Blood cells count...), the AWOS is automatically created at the Analyzer, as described by use
805 case *X.2.3 AWOS Created at the Analyzer*.

By definition, an AWOS is related to a single specimen (this specimen can be a mixture of
several patient specimen, see X.2.9). The specimen (primary or aliquot) is usually identified with
a unique specimen container ID printed on a barcode label stuck to the specimen container.

810 The laboratory technical staff supervises the various AWOS using the Analyzer Manager and
operating all necessary Analyzers. The technical staff performs the technical validation of the
results on the Analyzer or on the Analyzer Manager, which then sends these results back
upstream. When enhanced data has been provided, this validation may include clinical evaluation
of the results.

815 Should a specimen be damaged or lost, the Analyzer Manager will suspend or cancel its
Analytical Work Order until the replacement specimen arrives.

An AWOS could be identified by a set of attributes (e.g., Specimen, Container, Patient).
However some of these could be missing (e.g., patient) or could be reused (e.g., container), so
the Analyzer Manager is responsible to assign a unique identifier (called AWOS ID) to each

820 AWOS to allow the Analyzer to unambiguously report test results associated with the AWOS independent of the nature of the patient, specimen, container, or test ordered information. The assignment of an AWOS ID requires the Analyzer to memorize the ID and use it when reporting test results to the Analyzer Manager. It is the responsibility of the Analyzer Manager to guarantee (e.g., use of unique IDs or establishing a reasonable period of time for the reuse of IDs that prevents incorrect identification of an AWOS) that the assignment of AWOS IDs can be used to uniquely identify each AWOS created by that Analyzer Manager.

The results, or AWOS status change notifications, sent by the Analyzer generally include a number of properties attached to them (value, unit, comment, alarm, time of run, status ...). The notification shall contain the AWOS ID unless it does not exist (see use case X.2.3).

X.2.1 AWOS transfer to the Analyzer before specimen arrival

830 In this use case the Analyzer Manager sends to the Analyzers the scheduled work list of AWOS prior to the specimen arriving at the Analyzer. The delivery to the Analyzer, solicited or unsolicited, will be described in the following two sub-cases.

835 Since the work list is transmitted before the specimen is present on the Analyzer, in some cases it may not be known which device will receive the specimen. Laboratories may have multiple Analyzers with similar analytical capabilities for fault tolerance redundancy or to keep up with the workload. When an AWOS is scheduled on more than one analyzer, upon notification of AWOS completion by one of the Analyzers who transmits back the results, the Analyzer Manager shall cancel the other redundant AWOS awaiting execution on the other Analyzers.

X.2.1.1 AWOS broadcast by the Analyzer Manager before specimen arrival

840 This use case defines the expected behavior when the Analyzer Manager sends an AWOS to one or more Analyzers configured for broadcast mode.

Initial part of the scenario:

- 845 a. The Analyzer Manager creates and sends a scheduled work list of AWOS to the Analyzer(s). A work list may be sent to an Analyzer in one or more transmissions, although it is more efficient to send a work list in one transmission. AWOS represents an analytical service requested on a specimen. In response to the AWOS broadcast, the Analyzer must notify the Analyzer Manager with its intent to accept or reject an AWOS. The Analyzer commits the list of AWOS to memory.
- 850 b. An Analyzer recognizes the specimen container (through barcode ID scanning, position identification on the carrier, or manual entry) and selects the set of AWOS related to that specimen from its memory.

Final part of the scenario:

- a. The Analyzer performs the AWOS (one or more) on that specimen.

- 855 b. The Analyzer may notify the Analyzer Manager with the status of in progress clinical tests. For example, it is common in microbiology testing to send multiple observations about the culture.
- c. The Analyzer notifies the Analyzer Manager of the completion of the AWOS (one or more). This notification message contains the results of the performed tests, fulfilling one or more AWOS, with their related properties.
- 860 The Analyzer Manager must support receiving AWOS test results reported over a period of time in addition to receiving multiple test results for an AWOS at the same time. The reported test results can include both progress status and a final result for a given AWOS.
- d. If the AWOS was sent to multiple Analyzers operating in broadcast mode, the Analyzer Manager shall notify the other Analyzers that received the AWOS to cancel the AWOS.
- 865 Exception handling:
- a. In the case where the AWOS has not been received when the specimen container is recognized, then several events may occur depending upon the Analyzer’s capabilities and operator’s actions:
1. The Analyzer skips this specimen.
 - 870 2. The analyzer suspends processing of the specimen and waits for the arrival of the missing AWOS.
 3. The AWOS is created at the Analyzer (transition to use case X.2.3).
- b. In the time between receipt of the AWOS and the specimen recognition by the Analyzer, the content of the Order Group, Order or Work Order may be modified (correcting patient data, suppressing some tests, adding some new tests, shifting to another target Analyzer) or even canceled. Such events will require the cancellation of the original AWOS on the Analyzer Manager. Therefore, the Analyzer Manager shall notify all Analyzers that received the AWOS to cancel the AWOS.
- 875
1. The Analyzer Manager notifies the Analyzers to cancel the AWOS.
 - 880 2. Each Analyzer notifies the Analyzer Manager if the AWOS cancel is accepted. It is up to the Analyzer to evaluate the state of the AWOS and determine if cancellation is possible. If an Analyzer cannot cancel the AWOS, it should notify the Analyzer Manager that it is unable to cancel. One of the following actions will occur:
- 885 1. If processing on the AWOS has not started, the Analyzer should notify the Analyzer Manager that the cancel was accepted and discard the AWOS.
 2. If processing on the AWOS has started but multiple results are being produced and the Analyzer can stop further processing, then it should notify the Analyzer Manager the cancel was accepted, stop processing, and notify the Analyzer Manager of the results that were completed.

- 890 3. If processing on the AWOS has started but the Analyzer cannot stop the processing, then it should notify the Analyzer Manager that the cancel cannot be performed. The Analyzer should then transition to step b, “Final part of the scenario” of this use case.
- c. In the case where the AWOS is rejected by the Analyzer, it is up to the Analyzer Manager to determine the next steps for that AWOS. Possible actions include:
- 895 1. Send the AWOS to another Analyzer.
2. Ask the operator to manually process the AWOS.
3. Notify the operator that the AWOS could not be performed.

X.2.1.2 AWOS query by the Analyzer for ALL specimens before specimen arrival

Initial part of the scenario:

- 900 a. The Analyzer queries the Analyzer Manager for all the scheduled AWOS assigned to it.
- b. The Analyzer Manager responds by sending the AWOS work lists assigned to the Analyzer, and the Analyzer updates its local work list. In response to the AWOS receipt, the Analyzer must notify the Analyzer Manager with its intent to accept or reject an AWOS. The Analyzer commits the list of AWOS to memory.
- 905 c. Continue with step b. of the Initial part of the scenario from use case X.2.1.1.

Final part of the scenario:

Same as use case X.2.1.1.

Exception handling:

Same as use case X.2.1.1.

X.2.2 AWOS Query by the Analyzer at specimen arrival

This is the default behavior for all Analyzer Managers and Analyzers that support bi-directional communication.

Initial part of the scenario:

- 915 a. The Analyzer Manager creates the scheduled list of AWOS but does not send it to the Analyzer.
- b. In the case where the Analyzer Manager receives a Work Order update or cancellation, it cancels the related AWOS appropriately, and creates a new one if needed.
- c. An Analyzer recognizes the specimen container (barcode scanning, location information, or manual entry), and queries the Analyzer Manager with the specimen container ID or location information.
- 920 d. The Analyzer Manager creates and sends the work list of AWOS to the Analyzer for that specimen. The work list must be sent to the Analyzer in one transmission. Each AWOS represents an analytical service requested on the specimen. The Analyzer must notify the Analyzer Manager with its intent to accept or reject an AWOS.

925

Note: This step is similar to step a) in “Initial part of the scenario” of X.2.1.1 AWOS broadcast by the Analyzer Manager before specimen arrival.

Final part of the scenario:

930

Same as use case X.2.1.1.

Exception handling:

935

a. The specimen may be placed on the Analyzer, before the Work Order has been received by the Analyzer Manager, and before the AWOS exist. In that case the query in step c) is unsuccessful. The answer sent in step d) will be “unknown specimen, no pending AWOS for it”, which is also known as a Negative Query Response. Several events may occur depending upon the Analyzer’s capabilities and operator’s actions:

1. The Analyzer skips this specimen.
2. The Analyzer suspends processing of the specimen and tries the query later.
3. The AWOS is created at the Analyzer (transition to use case X.2.3).

940

Note: If multiple Analyzers can query for the same specimen and perform the same AWOS, then the AWOS should not be automatically created at the Analyzer. A Negative Query Response may have been received because another Analyzer queried for the specimen (see exception step c below).

945

b. In this use case, the AWOS to be performed on the Analyzer is sent by the Analyzer Manager just in time, when the Analyzer is ready to perform it on the specimen. Thus, all updates to the AWOS occur on the Analyzer Manager and there is no need to cancel an AWOS that has been transferred to an Analyzer.

950

c. Another Analyzer may have already queried for the same specimen. In this situation, any AWOS already sent to another Analyzer and accepted by that Analyzer will not be sent. If there are no AWOS to send, then the query in step c) is unsuccessful as all AWOS have been assigned to other Analyzers. The response sent in step d) will be “unknown specimen, no pending AWOS for it”, which is also known as a Negative Query Response. The Analyzer skips the specimen upon receiving a Negative Query Response.

955

d. In the case where the AWOS is rejected by the Analyzer, it is up to the Analyzer Manager to determine the next steps for that AWOS. Possible actions include:

1. Send the AWOS to another Analyzer.
2. Ask the operator to manually process the AWOS.
3. Notify the operator that the AWOS could not be performed.

960 **X.2.3 AWOS created at the Analyzer**

Initial part of the scenario:

- a. The AWOS is created at an analyzer by one of the following sub-steps:
1. The laboratory technical staff manually enters the AWOS on the Analyzer from information printed from the Analyzer Manager or collected by telephone in emergency cases, such as specimen id and tests to be performed.
 2. The Analyzer automatically associates an AWOS default test or panel with a specimen. A default AWOS can be created as part of normal processing or because an AWOS is not available from the Analyzer so a panel of emergency tests is performed.

965
970 The AWOS ID is never entered manually on the Analyzer. It can only be obtained via a message from the AM. Therefore, in both cases above the AWOS shall have a value of NULL ("") for the AWOS ID.

- b. The Analyzer recognizes the specimen container (through barcode ID scanning, position identification on the carrier, or manual entry) and selects the set of AWOS that was manually entered or assigned a default test or panel.

975 Final part of the scenario:

- a. The Analyzer performs the AWOS on that specimen.
- b. The Analyzer may notify the Analyzer Manager with the status of in progress clinical tests. For example, it is common in microbiology testing to send multiple observations about the culture.
- 980 c. The Analyzer notifies the Analyzer Manager of the completion of the performed step. This notification message contains the results and status of the performed clinical tests. The Analyzer Manager must support receiving AWOS test results reported over a period of time in addition to receiving multiple test results for an AWOS at the same time. The reported test results can include both progress status and a final result for a given AWOS.
- 985 d. On receiving analytical tests results without an AWOS ID, the Analyzer Manager can handle them in different ways:
1. Use sample and test information to relate the results with the appropriate AWOS.
 2. Ask the operator to manually link these orphan results to an AWOS received later on.
 3. Discard all AWOS with a NULL ("") AWOS ID.

990 Exception handling:

- a. In the case where an AWOS has not been manually entered by the time the specimen is recognized, then several events may occur depending upon the Analyzer's capabilities and operator's actions:
1. The Analyzer skips this specimen.

- 995 2. The analyzer suspends processing of the specimen and waits for the arrival of the missing AWOS.
3. The Analyzer automatically creates an AWOS default test or panel, as described in option 2) of step a) of the Initial part of the scenario for this use case, and continues with step b) of the Initial Part of the scenario for this use case.
- 1000 b. It may be necessary to modify an AWOS manually entered by an operator from information provided by the Analyzer Manager (suppress tests, add test, change the target Analyzer with another Analyzer, or cancel test). Such events will result in the cancellation of the AWOS on the Analyzer Manager, which must inform the operator of those changes (through the user interface or by printing one or more new corrected AWOS work lists). The operator must
- 1005 then manually cancel the AWOS on the Analyzer, and create a new AWOS with the corrected information.

X.2.4 Rerun

An AWOS usually needs one analytic run on the Analyzer. In some circumstances the results obtained from this first run need to be controlled by subsequent runs or “reruns”.

1010 The need for a rerun may be decided:

- Immediately after the first run on the Analyzer. In that case the analyzer may send the results of the successive runs in one or more messages. The choice of the selected results among several runs can be determined:
 - On the analyzer side. In that case, two situations are possible:

1015 • The Analyzer reports only the selected results to the Analyzer Manager. In that case, the rerun is transparent.

 • The Analyzer reports the results from all runs to the Analyzer Manager, distinguishing each of them with the "sub-observation id" field, in order to track the Analyzer operations and to register the reagent consumption. In that case the

1020 Analyzer identifies the selected run using the "result status" field to express that this one is the final (potentially corrected) result.
 - On the Analyzer Manager side. In that case, the Analyzer reports the results of all runs with the same "result status", distinguishing each of them with the "sub-observation id" field. The Analyzer Manager selects which results to report.
- During the technical validation of the Analytical Work Order with the first run results, on the Analyzer Manager application.

1025 • During the clinical validation of the order with the first run results, on the Order Filler application.

The three use cases to be considered are described below.

1030 **X.2.4.1 Rerun decided on the Analyzer immediately after the first run**

The rerun is decided automatically or manually, at the end of the first run. The reason may be:

- Results could not be obtained, due to a flaw on the Analyzer: reagent shortage, needle blocked up, calibration failure...
- Results out of range, triggering a rerun with automatic dilution of the specimen.

1035 Initial part of the scenario:

The initial part of the scenario can be from use case X.2.1, X.2.2 or X.2.3.

Final part of the scenario:

- a. The Analyzer performs the ordered step on that specimen (first run).
- b. Based on the results obtained, the Analyzer schedules an additional run. The Analyzer may notify the Analyzer Manager of the results with a "preliminary" status for the first run for this AWOS, or may retain them until the additional run is performed.
- c. The Analyzer performs the additional run.
- d. The Analyzer notifies the Analyzer Manager, with the results and status of the additional run, or of all runs if they were not yet reported. All runs are assigned the same AWOS ID but are distinguished from one another by "observation sub-id" field. An Analyzer may identify a final result of a run that is the best candidate to be reported to the ordering provider, or the Analyzer may let the Analyzer Manager select which results to report. See section W.2.5.3 Transmitting Observations for more details.

X.2.4.2 Rerun decided during technical validation on the Analyzer Manager

1050 The rerun is decided during technical validation. This decision is made by the technical staff or automatically by the Analyzer Manager. A rerun decided on the Analyzer Manager will be represented by a new AWOS, with an AWOS ID distinct from the one of the previous run.

Initial part of the scenario:

The initial part of the scenario can be from use case X.2.1, X.2.2 or X.2.3

1055 Final part of the scenario:

- a. The Analyzer performs the ordered step on that specimen (first run).
- b. The Analyzer notifies the Analyzer Manager, with the results and status of the first run for this AWOS.
- c. The technical validation of the results is performed on the Analyzer Manager, resulting in a new run requested with the same test on the same specimen. This new run may be requested on the same analyzer or on another one (to confirm the results obtained on the first one).

1060 The rerun picks up the scenario appropriate to the working mode of the Analyzer chosen for the second run:

- 1065 • If the Analyzer targeted for the rerun is working in push mode (at least for reruns) the Analyzer Manager sends a new AWOS to it, for the same specimen and the same tests. This starts a new X.2.1 scenario (step a).
- If the Analyzer is working in query mode, the Analyzer Manager schedules the new AWOS and waits for the query from the Analyzer. This starts a new X.2.2 scenario (step a)
- 1070 • If the Analyzer only supports manual entry, the Analyzer Manager prints out the scheduled rerun. This starts a new X.2.3 scenario (step a)

In addition, the rerun may generate new AWOS entrusted on Analyzers other than the targeted Analyzer.

X.2.4.3 Rerun decided during clinical validation on the Order Filler

- 1075 The control (rerun) is decided during the clinical validation of the results of the whole order group, considering the clinical consistency of this whole set of results, together with normal ranges, patient’s prior results, and other clinical and technical information, or technical information such as drifting or out of range quality control detected. This decision is taken by the laboratory clinical expert, or by an automated expert system assisting the clinical expert.
- 1080 In this situation, the final part of the first three scenarios ends normally. After the clinical validation the Order Filler generates a new Work Order for the same patient, same specimen, requesting the Analyzer Manager to schedule the tests anew, on one of its Analyzers. This new Work Order may carry some additional tests ordered in the meantime. It may possibly require a new aliquot.
- 1085 This kind of rerun is supported and described by the use case X.2.1, X.2.2 and X.2.3.

X.2.5 Reflex

In some circumstances the results associated with one or more AWOS for a patient may trigger the execution/computation of one (or several) additional tests known as reflex tests. In addition, the AWOSs triggering the reflex testing may include multiple samples from the same patient.

- 1090 The need for a reflex may be decided:
- on the Analyzer, before uploading the results to the Analyzer Manager
 - or during the technical validation of the Analytical Work Order with the first run results, on the Analyzer Manager application,
 - 1095 • or later, during the clinical validation of the order with the first run results, on the Order Filler application.

The three use cases are to consider are described below.

X.2.5.1 Reflex decided on the Analyzer

1100 The reflex is decided automatically or manually on the analyzer. This reflex decision happens before the initial test results are uploaded to the Analyzer Manager. The parent results may be sent either before the results from the reflex test or may be held and sent when the reflex test is complete.

The Analyzer Manager will be notified of both the initial and reflex testing in order to track the Analyzer operations.

Initial part of the scenario:

1105 The initial part of the scenario can be from use case X.2.1, X.2.2 or X.2.3.

Final part of the scenario:

- a. The Analyzer performs the ordered steps on the specimen(s).
- 1110 b. Considering the results obtained, a reflex test is scheduled. The Analyzer may send the results of the parent AWOS(s) now or as part of step d).
- c. After the appropriate specimen is made available, the Analyzer performs the reflex test. The reflex test is performed as a child AWOS of the original parent(s), and this child AWOS has a NULL ("") AWOS ID.
- 1115 d. The Analyzer notifies the Analyzer Manager with the results and status of the parent AWOS(s) (if not sent previously) and reflex test with all known information (patient, specimen, container, test, and AWOS ID(s) of the parent(s)).
- e. On receiving an unexpected analytical tests result due to a reflex, the Analyzer Manager can handle them in different ways:
 - link the result to the Work Order of the parent AWOS(s) in case of a child reflex AWOS;
 - 1120 • use specimen and test information to link the results to an appropriate Work Order;
 - if supported by the Analyzer, use Work Order identification information sent by the Analyzer to link the result to a Work Order;
 - ask the operator to manually link these orphan results to AWOS.

X.2.5.2 Reflex decided during technical validation on the Analyzer Manager

1125 The reflex is decided during the technical validation of the results of the first run, compared with normal ranges, patient's prior results, and other clinical information, or technical information. This decision is taken by the technical staff, or automatically by the Analyzer Manager application.

Initial part of the scenario:

1130 The initial part of the scenario can be from use case X.2.1, X.2.2 or X.2.3.

Final part of the scenario:

- a. The Analyzer performs the ordered steps on the specimen(s).
- b. The Analyzer notifies the Analyzer Manager, with the results and status for these AWOSs.
- 1135 c. The technical validation of the results is performed on the Analyzer Manager, resulting in a new AWOS requested for different tests. This new AWOS may be requested on the same analyzer or on another one.

The execution of the reflex test follows the scenario appropriate to the operating mode of the targeted Analyzer:

- 1140 • Push mode: the Analyzer Manager broadcasts a new AWOS for the same specimen and new tests. This starts a new X.2.1 scenario (step a).
- Query mode: the Analyzer Manager schedules the new AWOS and waits for the query from an Analyzer. This starts a new X.2.2 scenario (step a).
- 1145 • Manual entry: the Analyzer Manager prints out the scheduled reflex. This starts a new X.2.3 scenario (step a).

X.2.5.3 Reflex decided during clinical validation on the Order Filler

The reflex is decided during the clinical validation of the results of the whole order group, considering the clinical consistency of this whole set of results, together with normal ranges, patient's prior results, and other clinical and technical information. This decision is taken by the laboratory clinical expert, or by an automated expert system assisting the clinical expert.

1150

In this situation, the final part of the first three scenarios ends normally. After the clinical validation the Order Filler generates a new Work Order for the same patient requesting the Analyzer Manager to schedule the reflex tests on one of its Analyzers. It may possibly require a new aliquot.

1155 This kind of reflex is supported and described by the first three scenarios.

X.2.6 Retransmit results from Analyzer

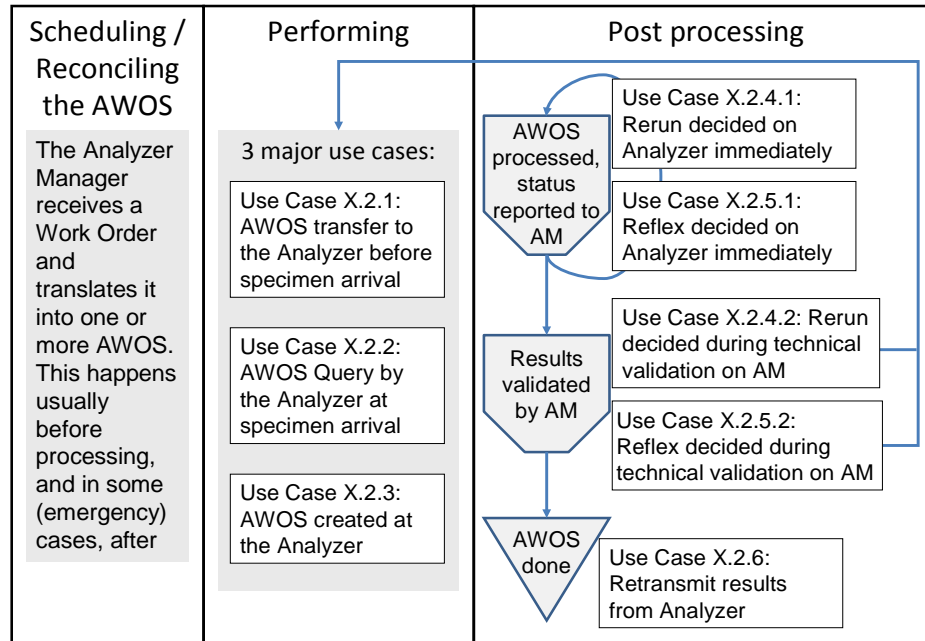
Usually at the completion of a run, the Analyzer notifies the Analyzer Manager one time with the status and the test results of the performed AWOS. In some circumstances the AWOS results may be sent again by the Analyzer to the Analyzer Manager. This decision to send the results again is generally made manually by the operator of the Analyzer in cases where the Analyzer Manager was unable to receive and store the results of the initial transmission, or in the case when a manual send of the results is used for testing purposes of the connection between the Analyzer and the Analyzer Manager.

1160

In this situation, the Analyzer Manager is responsible for determining if the results are the same as it has seen previously (same AWOS, same Analyzer, same test, same results) and acting accordingly. It shall not reject the message from the Analyzer in the case of a retransmission, but shall either record the event or ignore the retransmission, depending on application design.

1165

X.2.7 Summary of use cases on patient specimen AWOS



1170

Figure X.2.7-1: LAW use cases on patient specimen AWOS

X.2.8 QC performed on an analyzer

This use case is a specialization of the following use cases:

- X.2.1.1 AWOS broadcast by the Analyzer Manager before specimen arrival
- X.2.2 AWOS Query by the Analyzer at specimen arrival
- X.2.3 AWOS created at the Analyzer
- X.2.4.1 Rerun decided on the Analyzer immediately after the first run
- X.2.4.2 Rerun decided during technical validation on the Analyzer Manager

1175

In all these use cases the specimen is a “QC specimen”.

X.2.9 Pooling of patient specimens outside of the Analyzer

This use case is a specialization of the following use cases:

- X.2.1 AWOS transfer to the Analyzer before specimen arrival
- X.2.1.1 AWOS broadcast by the Analyzer Manager before specimen arrival
- X.2.1.2 AWOS Query by the Analyzer for ALL specimens before specimen arrival

1180

- 1185
- X.2.2 AWOS Query by the Analyzer at specimen arrival
 - X.2.3 AWOS created at the Analyzer
 - X.2.4.1 Rerun decided on the Analyzer immediately after the first run
 - X.2.4.2 Rerun decided during technical validation on the Analyzer Manager
 - X.2.4.3 Rerun decided during clinical validation on the Order Filler
- 1190
- X.2.5.1 Reflex decided on the Analyzer immediately after the first run
 - X.2.5.2 Reflex decided during technical validation on the Analyzer Manager
 - X.2.5.3 Reflex decided during clinical validation on the Order Filler
 - X.2.6 Retransmit results from Analyzer

1195 In some cases (molecular biology for example), the sample transmitted to the analyzer is mixture of several patient specimen.

- If the analyzer return a negative result all the patient specimen of the pool are considered negative.
- If the analyzer return a positive result, all the patient specimen of the pool have to be tested individually

1200 For the preceding uses cases, the following points have to be taken in account:

- The ordering of pooled specimens assumes an Analyzer Manager capable of managing the specimen pool (e.g., by connection to a pooling device) and an Analyzer capable of measurement and calculation of the result for the pooled specimen.
 - Because the specimen is pooled, no patient demographic information is allowed with the AWOS.
 - When the Analyzer does not use information about the pooling, then the Analyzer manager should send the AWOS as a conventional patient sample.
 - When the Analyzer uses information about the pooling, the AWOS sent to the Analyzer should include the following information:
- 1210
1. It is a pooled specimen.
 2. The pool size, i.e., the number of specimens used for this specific sample. This information is used in the calculation of the result (the negative specimens generally "dilute" the result of positive specimens).
 3. List of specimen IDs used in the pool (for informational purpose at the Analyzer).

1215 **X.2.10 Pooling of patient specimens on the Analyzer**

This use case describes the profile option “Pooling on Analyzer” and is a specialization of the following use cases:

- X.2.1 AWOS transfer to the Analyzer before specimen arrival
- X.2.1.1 AWOS broadcast by the Analyzer Manager before specimen arrival
- 1220 • X.2.1.2 AWOS Query by the Analyzer for ALL specimens before specimen arrival
- X.2.2 AWOS Query by the Analyzer at specimen arrival
- X.2.3 AWOS created at the Analyzer
- X.2.4.1 Rerun decided on the Analyzer immediately after the first run
- X.2.4.2 Rerun decided during technical validation on the Analyzer Manager
- 1225 • X.2.4.3 Rerun decided during clinical validation on the Order Filler
- X.2.5.1 Reflex decided on the Analyzer immediately after the first run
- X.2.5.2 Reflex decided during technical validation on the Analyzer Manager
- X.2.5.3 Reflex decided during clinical validation on the Order Filler
- X.2.6 Retransmit results from Analyzer
- 1230 Supporting the profile option “Pooling on Analyzer” changes the behavior of Analyzers and Analyzer Managers as follows:
 - When broadcasting an AWOS, the Analyzer Manager specifies the maximal size of the pool the given specimen may be combined into. If the specimen shall not be pooled, pool size “1” shall be specified.
 - 1235 • As soon as the count of collected poolable specimens reaches the maximal target pool size of at least one of them, or when other circumstances like specimen expiration times do not allow further waiting, the Analyzer creates the pool and performs the observation.
 - It is not a failure if the Analyzer decides to not pool a given specimen.
 - Independently from whether specimens were pooled or not, observation results sent from the Analyzer to the Analyzer Manager correspond to the original specimens and not to their pool. In other words, the relationship between AWOSs, specimens, and observation results remains unchanged.
 - 1240 • The only difference in observation result messages is that the Analyzer specifies the actual size of the pool where the given specimen was combined into. For specimens that
 - 1245 were not pooled, a pool size “1” shall be returned.

X.2.11 Result Handling

1250 Regardless of the variant of the AWOS management process (reruns, reflex, etc.), the analytic results are returned to the Analyzer Manager. Those results may be fed forward into another analysis step (automated or human), or transferred into the result returned to the ordering system (see the LTW Profile).

The Analyzer has three mechanisms for returning the result data:

- Embedding the results into the AWOS Status Change (completion) message
- Placing the results into temporary on-line storage and passing a pointer to the results in the AWOS Status Change message
- 1255 • Placing the results into a persistent data repository and passing a pointer to the results in the AWOS Status Change message

1260 In the case of temporary on-line storage, the Analyzer Manager is responsible for retrieving the results prior to the expiration of the (locally determined) validity period. The Analyzer, or the temporary storage system, is responsible for ensuring the data remains available during the validity period, and for recovering storage space as desired after the validity period.

1265 In the case of result storage to a persistent data repository, the Analyzer Manager does not need to retrieve the results, but can simply manage the pointer to the results. Any follow on applications that require access to the result data will use the pointer. Note that the pointer may provide specialized access mechanisms that are suited to the target result data (e.g., a URI to a web-based imaging study navigation and display application; see for instance the IHE Radiology Invoke Image Display Profile).

X.3 Systems interconnection in the laboratory

1270 The systems: Laboratory Information System (LIS), Laboratory Automation System (LAS) and other middleware (workstations, concentrators ...) Laboratory Devices (analytical, pre-analytical, post-analytical), may be interconnected in various ways, and have to support the appropriate actors of the appropriate profiles to fit their interconnection:

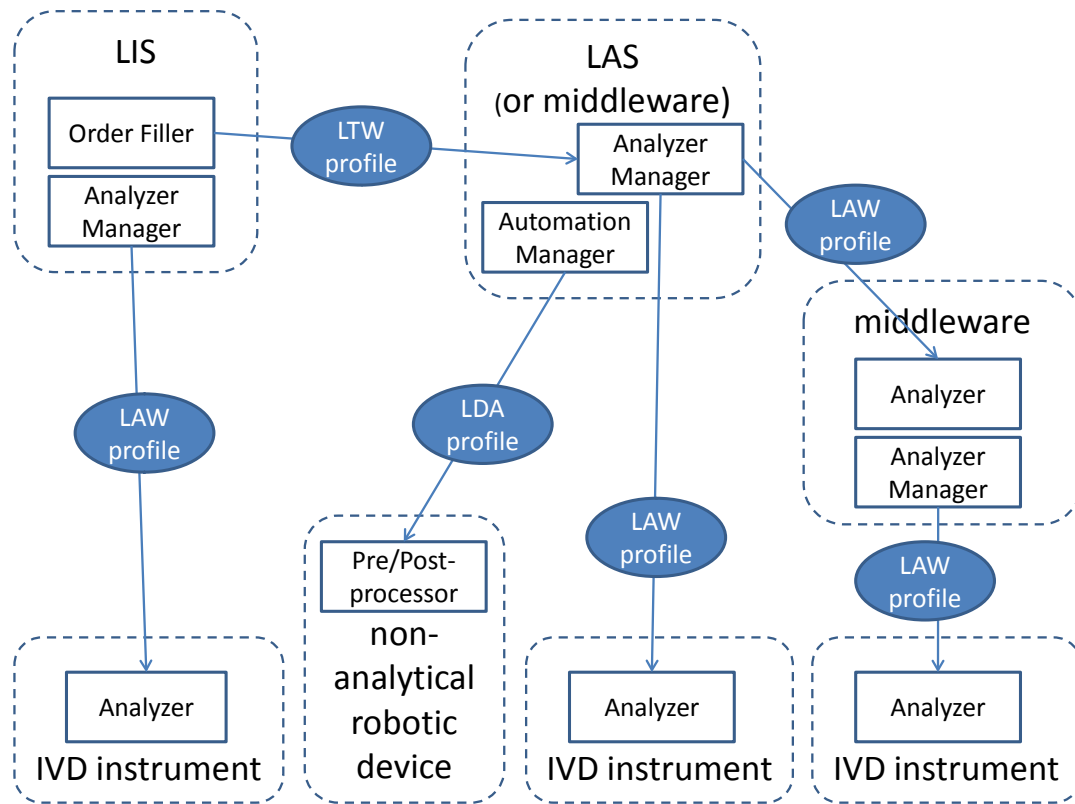


Figure X.3-1: Interconnection of systems and mapping to profile's actors

1275

X.4 Actors/ Transactions

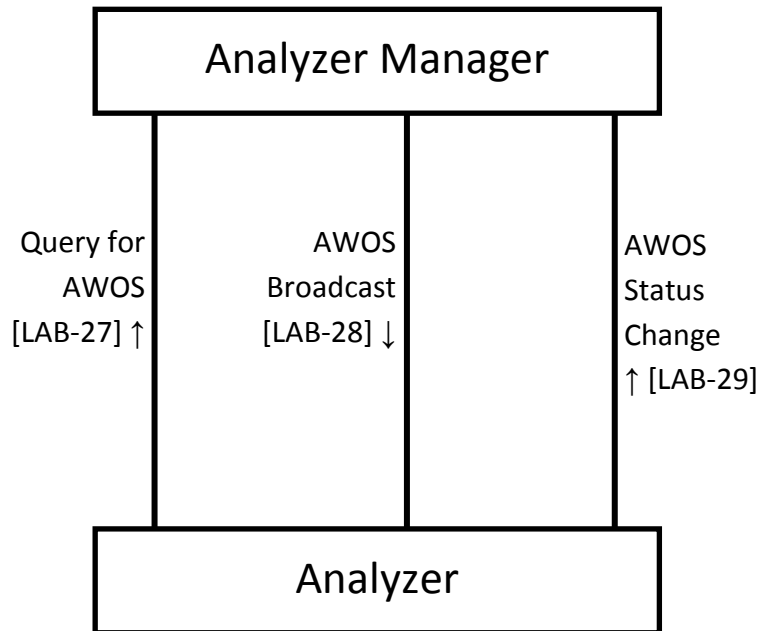


Figure X.4-1: Laboratory Analytical Workflow Actor Diagram

1280 Table X.4-1 lists the transactions for each actor involved in the LAW Profile. To claim support of this Integration Profile, an implementation of an actor must perform the required transactions (labeled “R”). Transactions labeled “O” are optional and define the profile options explained in Section X.5 below.

1285

Table X.4-1: LAW Integration Profile - Actors and Transactions

Actors	Transactions	Optionality	Section in Vol. 2
Analyzer Manager	LAB-27 : Query for AWOS	R ¹	Q
	LAB-28 : AWOS Broadcast	R ³	R
	LAB-29 : AWOS Status Change	R ³	Y
Analyzer	LAB-27 : Query for AWOS	O ²	Q
	LAB-28 : AWOS Broadcast	O ^{2,3}	R
	LAB-29 : AWOS Status Change	R	Y

¹ An Analyzer Manager must support LAB-27(query) as the default mechanism for AWOS transfer.

² An Analyzer must support both LAB-27 and LAB-28 if supporting the bi-directional option. See X.5 below.

³ The transaction may contain enhanced information. The usage of the enhanced information is guided by the discussion in X.5 LAW Integration Profile Options and W.1.3 Profile Types.

1290 **X.5 LAW Integration Profile Options**

Options which may be selected for this Integration Profile are listed in Table X.5-1 along with the Actors to which they apply. These options cover most of the enhanced information supported by the profile for the AWOS and result transfers.

1295 **Table X.5-1: Laboratory Analytical Workflow - Actors and Options**

Actor	Options	Transactions	Vol. & Section	Profile Option Identifier
Analyzer	Bi-directional communication (AWOS Transfer)	LAB-27 LAB-28	Vol. 1, sections X.2.1 and X.2.2 Vol. 2a, Section W.1.3.1 Vol. 2a, sections 3.Q and 3.R	LAW_QUERY_WOS
Analyzer	Query by Isolate	LAB-27 LAB-28	Vol. 1, Section X.2.2 Vol. 2a, sections W.1.3.2 and 3.Q	LAW_QUERY_ISOLATE
Analyzer	Query by Rack	LAB-27 LAB-28	Vol. 1, Section X.2.2 Vol. 2a, sections W.1.3.2 and 3.Q	LAW_QUERY_RACK
Analyzer	Query by Tray	LAB-27 LAB-28	Vol. 1, Section X.2.2 Vol. 2a, sections W.1.3.2 and 3.Q	LAW_QUERY_TRAY
Analyzer	Query All	LAB-27 LAB-28	Vol. 1, Section X.2.1 Vol. 2a, sections W.1.3.2 and 3.Q	LAW_QUERY_ALL
Analyzer	Contributing Substances	LAB-29	Vol. 2a, Section W.1.3.3	LAW_CONTRIB_SUB
Analyzer	Dilutions	LAB-28 ¹ LAB-29	Vol. 2a, Section W.1.3.4	LAW_DILUTIONS
Analyzer	Patient Demographics	LAB-28 ¹ LAB-29	Vol. 2a, Section W.1.3.5	LAW_PAT_DEM
Analyzer	Reflex	LAB-29	Vol. 1, Section X.2.5.1 Vol. 2a, sections W.1.3.6 and W.2.6	LAW_REFLEX
Analyzer	Rerun	LAB-29	Vol. 1, Section X.2.4.1 Vol. 2a, Section W.1.3.7 and W.2.5.3	LAW_RERUN
Analyzer	Analyzer Manager Rerun and Reflex	LAB-28 ¹	Vol. 1, sections X.2.4.2 and X.2.5.2 Vol. 2a, Section W.1.3.8	LAW_AM_RR
Analyzer	Analyzer Manager Rerun and Reflex Control	LAB-28 ¹	Vol. 2a, Section W.1.3.8b	LAW_AM_RR_CONTROL

Actor	Options	Transactions	Vol. & Section	Profile Option Identifier
Analyzer	AWOS Priority	LAB-28 ¹ LAB-29	Vol. 2, Section W.1.3.9	LAW_AWOS_PRIORITY
Analyzer	Specimen Details	LAB-28 ¹	Vol. 2, Section W.1.3.10	LAW_SPECIMEN
Analyzer	Container Details	LAB-28 ¹	Vol. 2, Section W.1.3.11	LAW_CONTAINER
Analyzer	Mass spectrometry	LAB-29	Vol. 2a, Section W.1.3.12	LAW_MASS_SPEC
Analyzer and Analyzer Manager	Related Observations	LAB-28 ¹	Vol. 2a, Section W.1.3.14	LAW_REL_OBS
Analyzer	External Result	LAB-29	Vol. 2a, Section W.1.2.15 and W.2.5.6	LAW_RESULT_EXT
Analyzer and Analyzer Manager	Pooling on Analyzer	LAB-28 LAB-29	Vol. 1, Section X.2.10 Vol. 2a, Section W.1.3.16	LAW_POOL_AN
Analyzer and Analyzer Manager	Pooling outside of the Analyzer	LAB-28 LAB-29	Vol. 1, Section X.2.9 Vol. 2a, Section W.1.3.17	LAW_POOL_NOAN

¹ The Analyzer Manager should send the enhanced information associated with the profile option in this transaction only when the Analyzer supports the profile option.

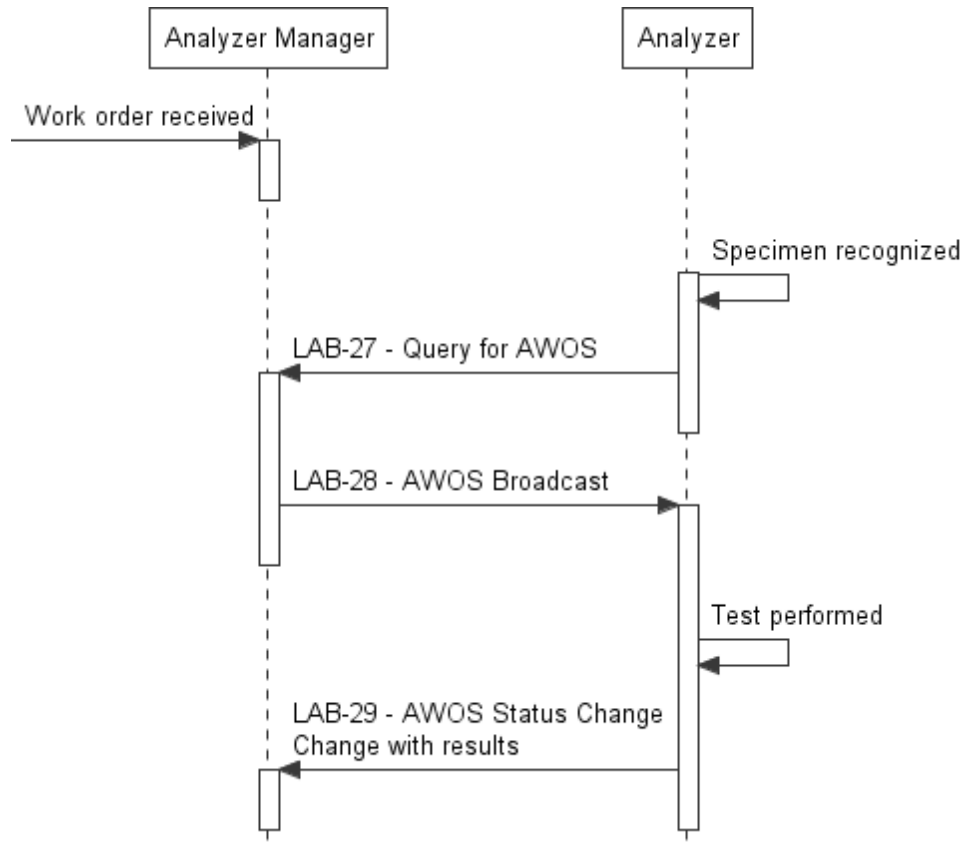
X.6 Process Flow

1300 These UML sequence diagrams present a high-level view of the process flow: Each transaction is represented by a single arrow with the initial triggering event, but without any detail on the various messages which compose the transaction. The message flow of each transaction and the description of each of its individual messages can be found in PaLM TF-2b.

1305 X.6.1 Normal process when Analyzers query at specimen arrival (default flow for bi-directional communication)

This process flow is based on use case X.2.2, with all Analyzers querying for AWOS.

- a. The Analyzer Manager receives a Work Order.
The Analyzer Manager splits this work order into a sequence of AWOS (only one in our example).
- 1310 b. The Analyzer recognizes the specimen container.
- c. The Analyzer sends a query to the Analyzer Manager with the recognized specimen container ID or location.
- d. The Analyzer Manager replies to the query and sends an AWOS Broadcast with work to be performed.
- 1315 e. Later, the Analyzer performs the test.
- f. To notify completion of the AWOS, the Analyzer sends an AWOS Status Change to the Analyzer Manager.



1320

Figure X.6.1-1: Normal process when Analyzers query

X.6.2 Normal process when Analyzers receive AWOS prior to specimen arrival

This process flow is based on use case X.2.1.

- a. The Analyzer Manager receives a Work Order.
1325 The Analyzer Manager splits this work order into a sequence of AWOS (only one in our example).
- b. The Analyzer manager sends a scheduled AWOS to the Analyzer by sending an AWOS Broadcast.
- c. Later, the Analyzer recognizes the specimen container and performs the test.
- 1330 d. To notify completion of the AWOS, the Analyzer sends an AWOS Status Change to the Analyzer Manager.

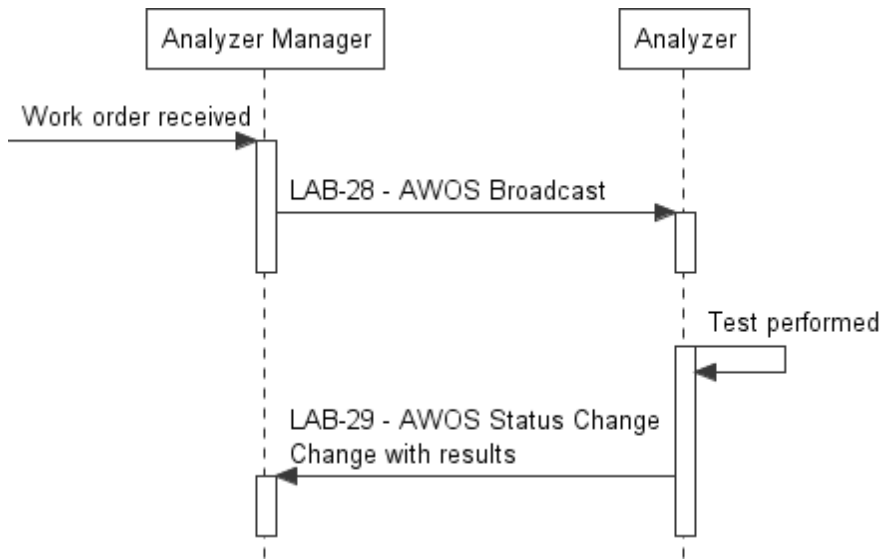


Figure X.6.2-1: AWOS received prior to specimen arrival

1335 **X.6.3 Analyzers receive AWOS update prior to specimen arrival**

This process flow based on use case X.2.1 shows the update of an Analytical Work Order triggering the update of its AWOS.

- a. The Analyzer Manager receives a Work Order.
The Analyzer Manager splits this work order into a sequence of AWOS (only one in our
- 1340 example).
- b. The Analyzer manager sends a scheduled AWOS to the Analyzer.
- c. The Analyzer Manager receives an update of the Work Order. The Analyzer Manager updates the previously generated AWOS with the new information.
- d. The Analyzer manager sends a cancel AWOS to the Analyzer by sending an AWOS
- 1345 Broadcast with order control code of “CA - Cancel order/ service request”.
This cancel is sent only to those Analyzers which are concerned with this update.
- e. The Analyzer responds with a “CR- Cancel as requested” order control code.
- f. The Analyzer manager sends a new scheduled AWOS to the Analyzer.
- g. Later, the Analyzer recognizes the specimen container and performs the test.
- 1350 h. To notify completion of the AWOS, the Analyzer sends an AWOS Status Change to the Analyzer Manager.

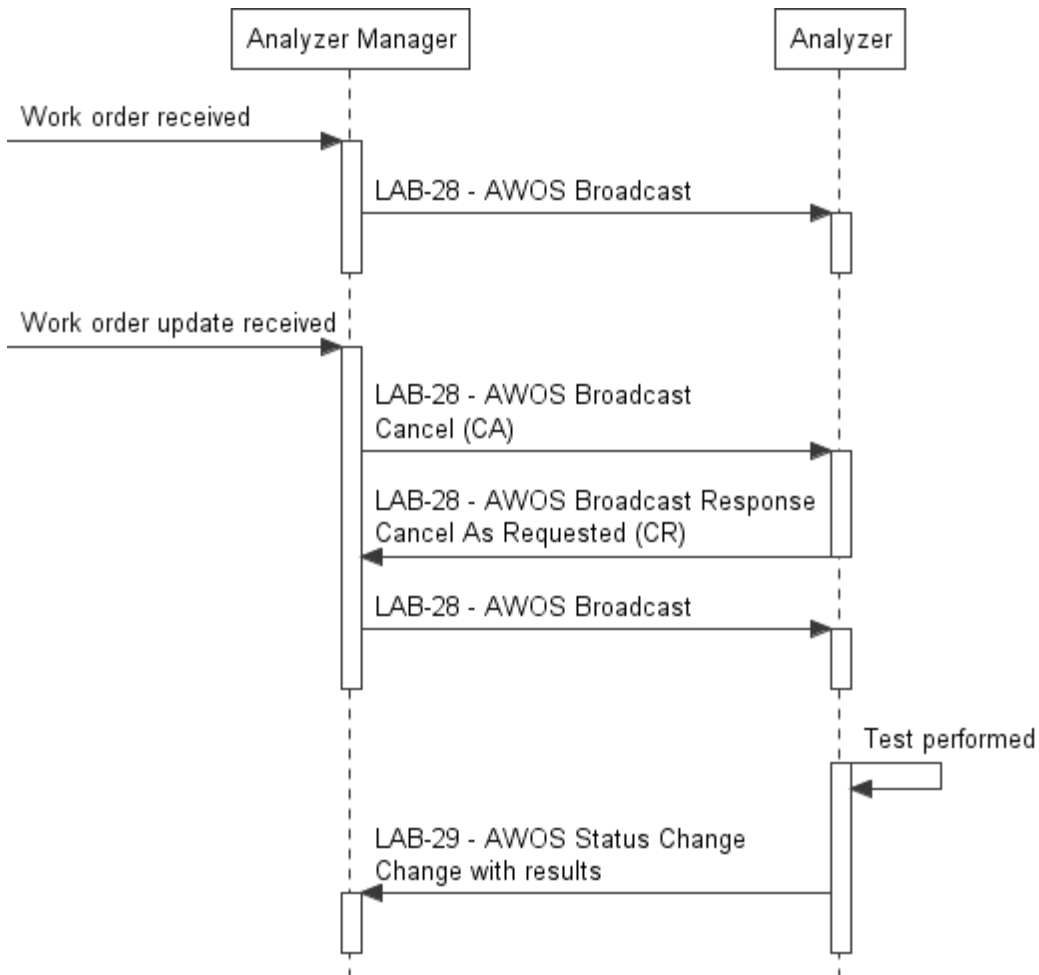


Figure X.6.3-1: AWOS update prior to specimen arrival

X.6.4 Normal process with AWOS entered manually at the Analyzer

- 1355 This process flow is based on use case X.2.3, which may occur when the Analyzer has a one-way interface supporting only transaction LAB-29 to report its results.
- a. The Analyzer Manager receives a Work Order.
The Analyzer Manager splits this work order into a sequence of AWOS (only one in our example).
 - 1360 b. The AWOS work list is printed by the Analyzer Manager.
 - c. The laboratory technician manually enters the AWOS on the Analyzer.
 - d. Later, the Analyzer performs the test.
 - e. To notify completion of the AWOS, the Analyzer sends an AWOS Status Change to the Analyzer Manager.

1365

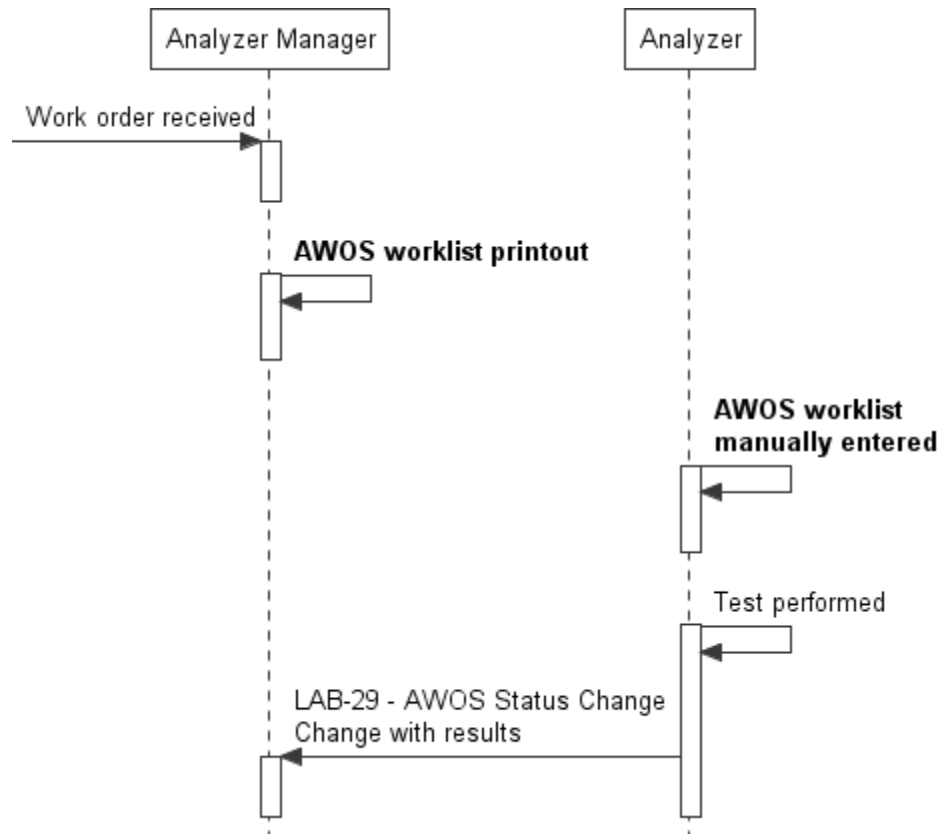


Figure X.6.4-1: Normal process with AWOS manual entry

X.6.5 Automatic rerun on the Analyzer, triggered by out of range results

1370 This process flow is based on sub-use case X.2.4.1. Figure X.6.5-1 below represents the process of the final part of the scenario.

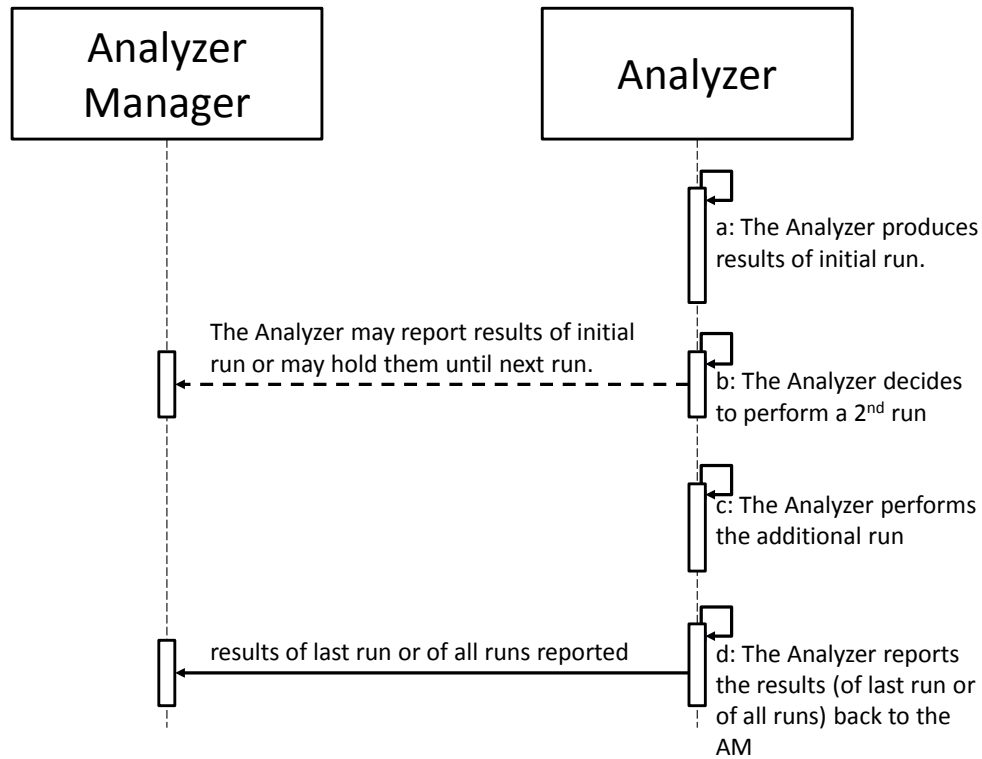


Figure X.6.5-1: Rerun decided on the Analyzer immediately after first run

1375

X.6.6 Rerun requested by Analyzer Manager during technical validation

This process flow is based on sub-use case X.2.4.2.

- a. The Analyzer Manager receives a Work Order.
The Analyzer Manager splits this work order into a sequence of AWOS (only one in our example).
- b. The Analyzer manager sends a scheduled AWOS to the Analyzer.
- c. Later, the Analyzer performs the test (1st run).
- d. To notify completion of the AWOS, the Analyzer sends an AWOS Status Change to the Analyzer Manager.
- e. During the technical validation of the 1st run on the Analyzer Manager, a rerun is decided.
- f. The Analyzer manager sends a **new** scheduled AWOS to the Analyzer.
- g. Later, the Analyzer performs the test (2nd run).
- h. To notify completion of the AWOS, the Analyzer sends an AWOS Status Change to the Analyzer Manager.

1390

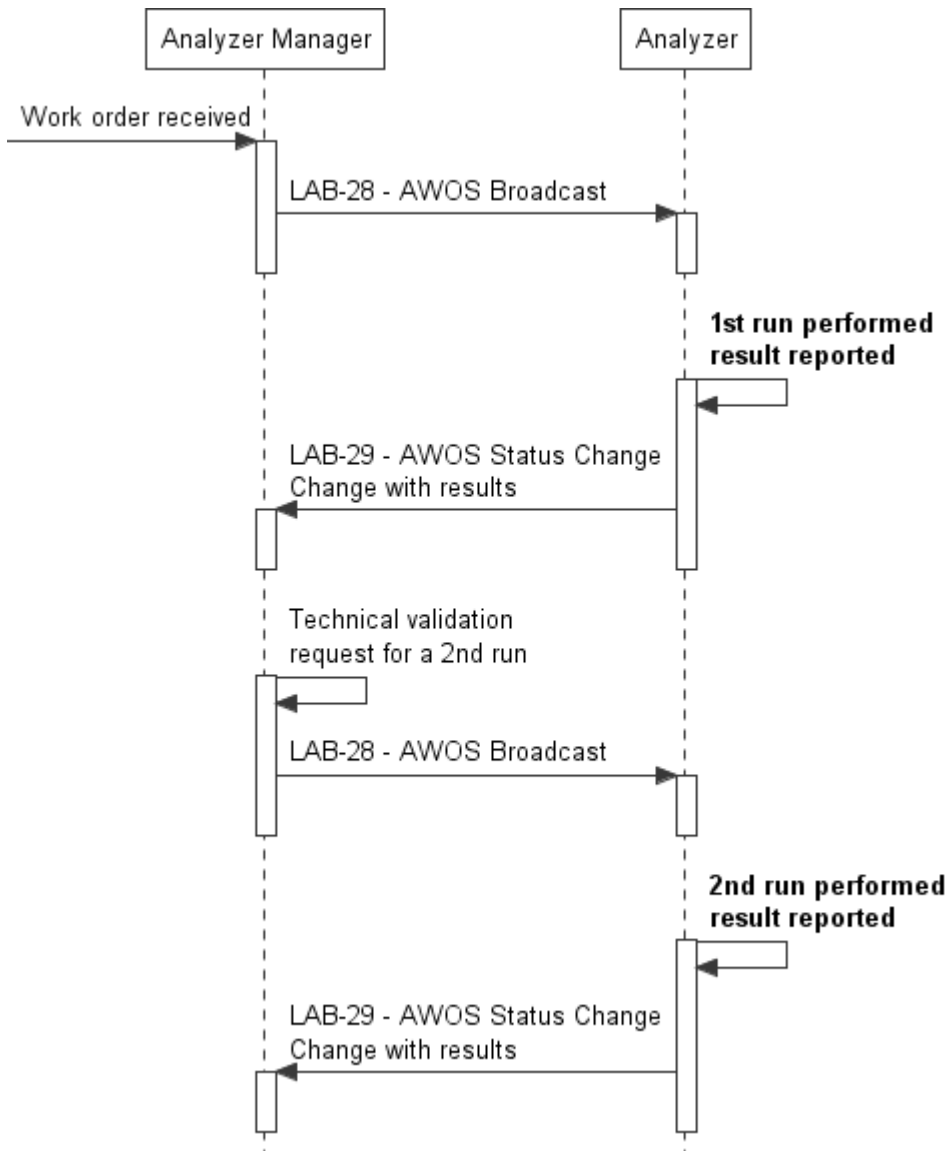


Figure X.6.6-1: Rerun decided on the Analyzer Manager at technical validation time

1395 The request for a second run generates a new AWOS for the same specimen on the Analyzer.

X.6.7 Urgent tests performed before the arrival of the Analytical Work Order

This process flow is based on use case X.2.2 linked with use case X.2.3, in combination with the Order Filler Actor of the LTW Integration Profile.

- a. The Analyzer recognizes the specimen container.
 - b. The Analyzer sends a query to the Analyzer Manager with the recognized container ID or location.
- 1400

- c. The Analyzer Manager does not know this ID and responds by sending an AWOS Broadcast with control code “DC - Discontinue Request”.
- d. The laboratory technician manually enters the AWOS on the Analyzer.
- 1405 e. Later, the Analyzer performs the test.
- f. To notify completion of the AWOS, the Analyzer sends an AWOS Status Change to the Analyzer Manager. The AWOS Status Change does not contain an AWOS ID.
- g. The Analyzer Manager receives a Work Order.
- 1410 The Analyzer Manager splits this work order into a sequence of AWOS (only one in our example).
- h. The Analyzer Manager manages the merge between the manually entered AWOS and the Work Order requested by the Order Filler (manually or based on AWOS attributes, such as specimen container ID).
- i. The result is checked and transmitted to the Order Filler.

1415

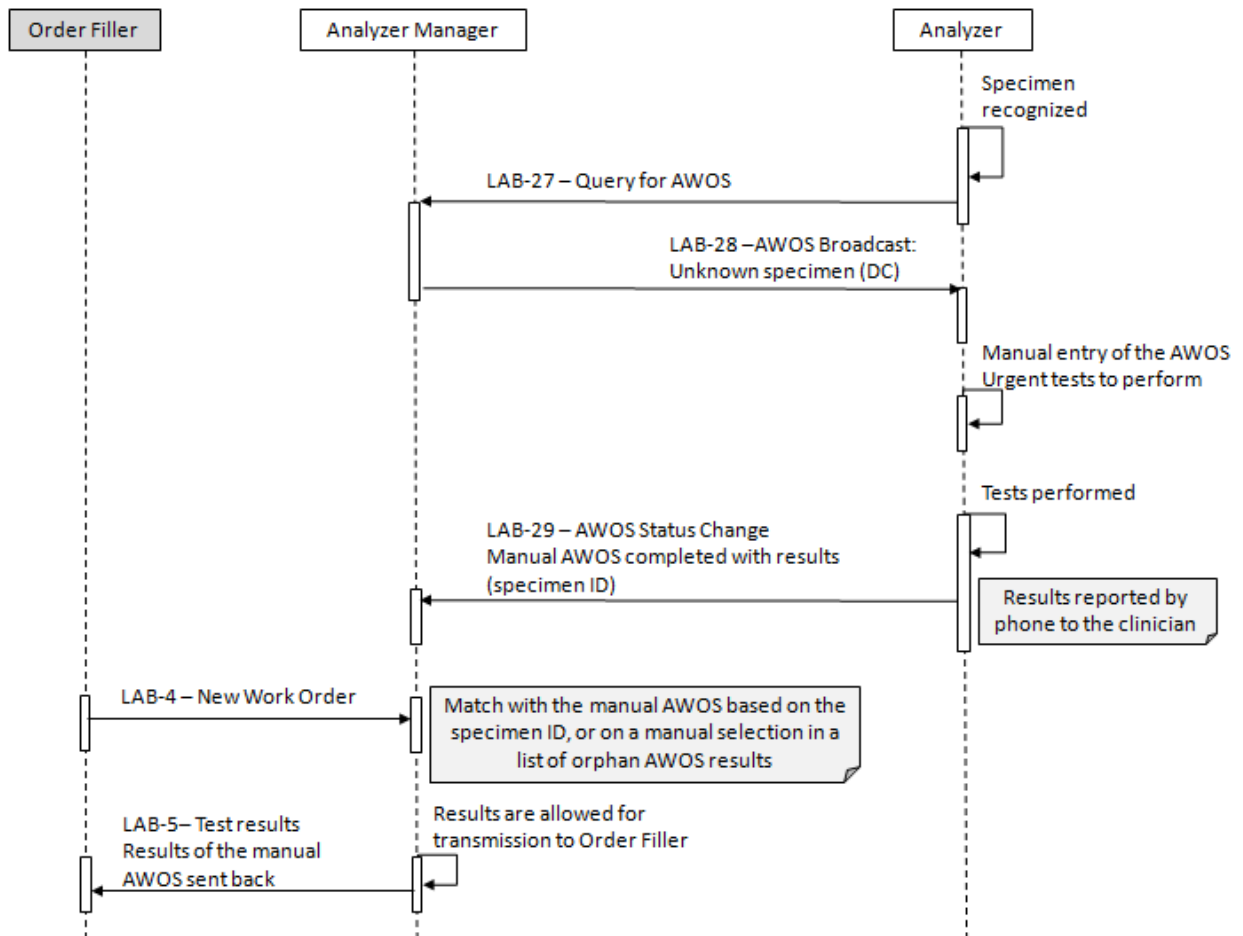


Figure X.6.7-1: Manual urgent AWOS performed and used before arrival of Work Order

X.6.8 Reflex test decided on the Analyzer

The following diagram illustrates use case X.2.5.1

- 1420
- a. The Analyzer performs the original AWOSs on the specimen.
 - b. Considering the results obtained, a reflex test is scheduled. The Analyzer may optionally send the results of the first tests. NOTE: Sending the results at this time may cause the Analyzer manager to complete and release the results of the original AWOS(s).
 - c. The Analyzer performs the reflex test in a child AWOS of the original parent(s).
 - 1425 d. The Analyzer sends the results of the reflex test to the Analyzer Manager, including all known information (patient, specimen, container, test, and AWOS ID(s) of the parent(s) if they exist).
 - e. The Analyzer Manager links the results of the reflex test to the appropriate AWOS and stores them.

1430

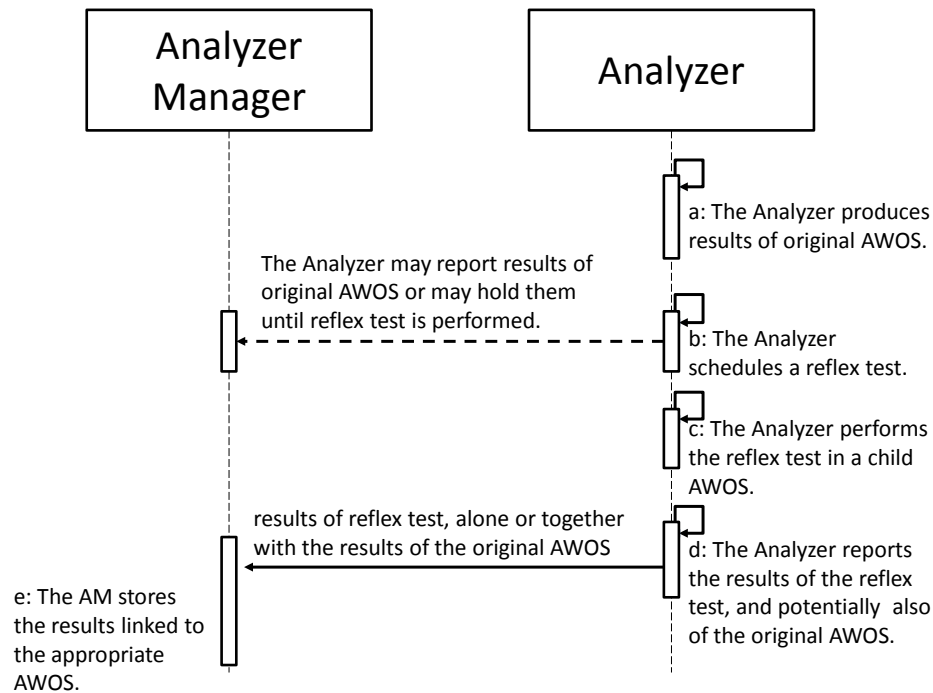


Figure X.6.8-1: Reflex decided on the Analyzer immediately after first run

X.6.9 Reflex test decided on the Analyzer Manager

- 1435
- The following diagram illustrates use case X.2.5.2
- a. The Analyzer Manager receives a Work Order.
The Analyzer Manager splits this work order into a sequence of AWOS (only one in our example).

- b. The Analyzer recognizes the specimen container.
- 1440 c. The Analyzer sends a query to the Analyzer Manager with the recognized container ID or location.
- d. The Analyzer Manager replies to the query with the AWOS to be performed.
- e. Later, the Analyzer performs the test.
- 1445 f. To notify completion of the AWOS, the Analyzer sends an AWOS Status Change to the Analyzer Manager.
- g. Considering the results obtained, the Analyzer Manager schedule a new AWOS.
- h. The Analyzer sends a query to the Analyzer Manager with the recognized ID.
- i. The Analyzer Manager replies to the query with the new AWOS to be performed.
- j. Later, the Analyzer performs the test.
- 1450 k. To notify completion of the new AWOS (reflex), the Analyzer sends an AWOS Status Change to the Analyzer Manager.

1455

1460

1465

1470

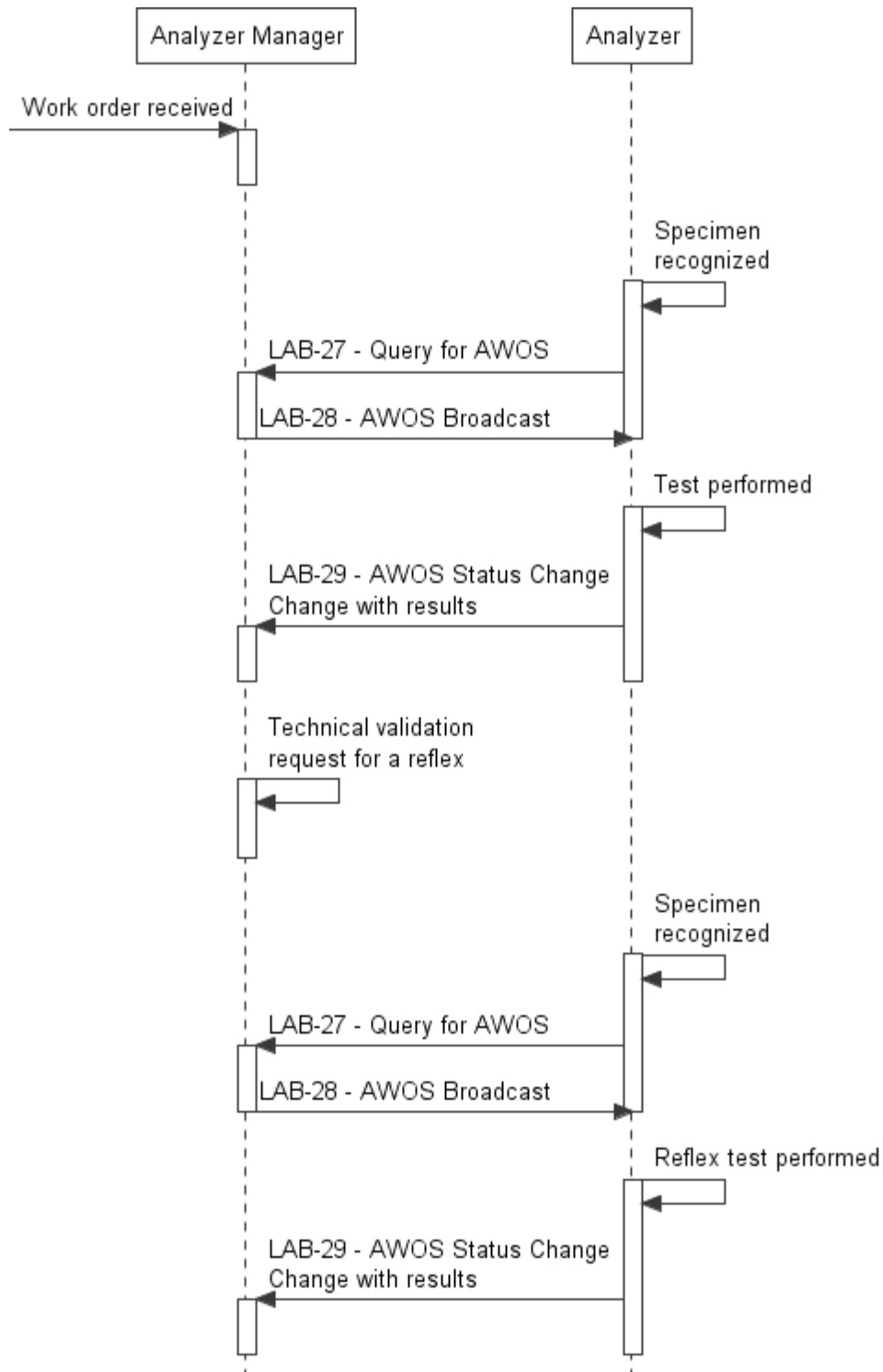


Figure X.6.9-1: Reflex decided on the Analyzer Manager at the technical validation time

Appendix A – Actor Summary Definitions

1475 *Correct/Add the following terms to the Appendix A*

Analyzer: An automated instrument that performs testing on biological specimens upon request from the ~~Automation~~ **Analyzer** Manager managing this instrument. Each request for testing on a specimen sent by the ~~Automation~~ **Analyzer** Manager to the Analyzer is called an Analytical Work Order Step (AWOS). The instrument sends back to the ~~Automation~~ **Analyzer** Manager the observations produced and any related conditions or events. In addition, the Analyzer may perform QC testing for its own surveillance, and also sends its QC results to the ~~Automation~~ **Analyzer** Manager. This actor is involved in the ~~LDA~~ **LAW** Profile.

Automation Manager: A system or component that manages the automation in the laboratory or a part of it. Automation involves the integration or interfacing of automated or robotic transport systems, ~~analytical instruments,~~ and pre- or post-analytical process equipment such as automated centrifuges and aliquoters, decappers, recappers, sorters, and specimen storage and retrieval systems. This actor receives work orders from the Order Filler. It manages the processing of the ordered tests on the appropriate devices, and sends technically validated results back to the Order Filler. ~~This actor must be considered even if it manages a small part of the analytical process; e.g. if it manages one single analytical instrument.~~ Multiple Automation Managers can be related to one Order Filler. This actor is involved in the LTW and LDA Profiles.

Analyzer Manager: An Automation Manager that manage the analytical part of the laboratory. This actor is involved in the LAW Profile.

1495

Appendix B – Transaction Summary Definitions

Correct/Add the following terms to the Appendix B

[LAB-21] WOS Download: This transaction contains the messages used to download a Work Order Step (WOS) from the Automation Manager to the ~~Analyzer or~~ Pre/Post-processor, according to a “push method”. It includes “new WOS”, “update WOS”, “cancel WOS” and the related applicative acknowledgements. This transaction is used with ~~Analyzers and~~ Pre/Post-processor which work in download mode.

[LAB-22] WOS Query: This transaction contains the message used by the ~~Analyzer or~~ Pre/Post-processor to query the Automation Manager with one or more specimen (or location) identifiers, and the reply message from the Automation Manager delivering one or more WOS dedicated to each of these specimen. This transaction implements the “pull method” for requesting WOS.

~~[LAB-23] AWOS Status Change:~~ ~~This transaction contains the messages used by the Analyzer to report the status of an AWOS (such as “specimen arrived”, “first run failed”, “second run~~

1510 started”, “AWOS complete”...) and to send the tests results when the AWOS is complete. It also includes the related applicative acknowledgements from the Automation Manager.

1515 **[LAB-27] AWOS Query:** This transaction contains the message used by the Analyzer to query the Analyzer Manager for one specimen (or location). The Analyzer Manager will follow the exchange with a LAB-28 that delivers one or more AWOS dedicated to the specimen or indicates there is no work to perform. This transaction implements the “pull method” for requesting AWOS, which is the default behavior.

1520 **[LAB-28] AWOS Broadcast:** This transaction contains the messages used to broadcast an Analytical Work Order Step (AWOS) from the Analyzer Manager to the Analyzer, according to a “push method”. It includes “new AWOS”, “cancel AWOS” and the related applicative acknowledgements.

[LAB-29] AWOS Status Change: This transaction contains the messages used by the Analyzer to send the tests results when the AWOS is complete. It also includes the related applicative acknowledgements from the Analyzer Manager.

1525

Volume 2a – Transactions

1 Introduction

1.6 History of Annual Changes

Add the following bullet to the list in Section 1.6

- 1530
- Added the LAW Profile which supports the workflow of IVD test work order steps and the results thereof between IVD analyzers and the systems driving their work (LIS or LAS). This workflow has been removed from the LDA Profile, which keeps only the workflow between automation managers and pre or post-processors.

2 Conventions

1535

Replace second paragraph of Section 2.4.4 Acknowledgment Modes with the following paragraph:

1540

For the IHE Pathology and Laboratory Medicine Technical Framework, applications that receive HL7 messages shall send acknowledgements using the HL7 original acknowledgement mode as defined in HL7 v2.5 chapter 2, 2.9.2. The enhanced acknowledgement rules are not supported, except for the LAW Profile.

W IHE LAW Common Segment Definitions

1545 Profiling conventions, messaging details, and segments that have common definitions across the LAW transactions are discussed below.

W.1 HL7 Profiling Conventions

The profiling conventions defined in PaLM TF-2a:2.3 will be used, with the following exceptions.

W.1.1 Message and Segment Usage Conventions

1550 The following conventions are used to establish the usage of segment groups, segments, and fields in the message description tables. The usage for data type components and sub-components follows the HL7 v2.5.1 standard.

1555 **M:** Mandatory. This new usage code is a more restrictive version of the **R** (Required) code. The segments and fields having this usage represent the basic information (see Section X.1 Scope) for AWOS and result transfer. This code identifies a mandatory segment or field that must be provided by the sender. A receiver will raise an error if a mandatory segment or field is absent. Although a value must always be provided for a mandatory field, in some cases it is acceptable to send a NULL ("") value in a mandatory field to indicate no value to report. See PaLM TF-2a:2.4.3 for a discussion of empty and nullified fields. The segment definitions will indicate when NULL ("") must be sent when a value for the field does not exist.. An application will report an application error (MSA-1 = "AE") in the message acknowledgment if a value for a mandatory field is not provided.

1560 **R:** Required: The coded value for required usage is slightly modified from the HL7 definition. Required is used for those segments and fields that are part of the enhanced information and have a required usage in the HL7 standard. For example, the usage of the segment group PATIENT of OML^O33 (LAB-28) is RE when the Patient Demographics Option is supported. However, if the group is provided, then the PID segment is required. A compliant sending application shall populate all **R** elements with a non-empty value. A compliant receiving application shall process (save/print/archive/etc.) or ignore the information conveyed by required elements. A compliant receiving application shall not raise an error due to the presence of a required element, but may raise an error due to the absence of a required element.

1575 **RE:** Required if Available. This code characterizes enhanced information provided only when the data is available or applicable. For example, when the Patient Demographics Option is supported the PATIENT segment group is provided only if there is patient demographic information associated with the AWOS request. The Analyzer will ignore segments or fields of the enhanced information it does not support. The Analyzer Manager is required to send these segments or fields if the information is available. The

1580 availability of these data elements may ultimately depend on the use of the information within the laboratory environment.

1585 **RE.AN:** Required if available from Analyzer. This new usage code is defined for enhanced information that depends on the Analyzer capabilities, and the usage is not standardized by a profile option. This usage only applies to message sent by the Analyzer. This code characterizes segments or fields that are part of the enhanced information, and Analyzers may support none, some, or all of the elements. An Analyzer may produce an Implementation Profile by assigning supported segments and fields to **R (Required)** or **RE (Required if Available)** and unsupported segments and fields to **X (Not supported)**. Analyzer Managers will not raise an error if an **RE.AN** segment or field is transmitted by an Analyzer. It is assumed the field has a usage of **X** when Analyzer capabilities are not declared or known.

1590 **C (a/ b):** Conditional. The definition for conditional usage requires defining the usage for the true and false outcomes of the condition predicate. This definition is pre-adopted from HL7 v2.7.1 for conditional usage. An element with a conditional usage code has an associated condition predicate that determines the usage of the element.

1595 If the condition predicate associated with the element is true, follow the rules for “**a**” which shall be one of **M, R, RE, or X**.

If the condition predicate associated with the element is false, follow the rules for “**b**” which shall be one of **M, R, RE, or X**.

1600 “**a**” and “**b**” shall be different and defined by the message profile.

1605 **X:** Not supported. The usage code for elements not supported. Conformant sending applications will not send the element. Conformant receiving applications will ignore the element if it is sent. For readability, segments not supported do not appear in the message tables. Similarly, fields that are not supported by the Analyzer or Analyzer Manager do not appear in the segment tables.

For segment definitions, a usage is provided for the Analyzer Manager (AM) and the Analyzer. The usage identifies how the Analyzer Manager or Analyzer populates the field when the segment is sent in a message. The receiver is expected to process any populated field according to the same usage as the sender’s.

1610 **W.1.2 Data Types**

The usage conventions defined in HL7 v2.5.1 Section 2.12.6.2 will be followed when describing data types. Tables are used to provide the static definition, and consist of four columns:

- **Component/Sub-component:** The elements of a data type
 - **Usage:** Usage code for the element
 - 1615 • **LEN:** Length of the element. See the discussion in Section W.1.2b for more information on data type lengths.
-

- **Comment:** Any applicable comments about the element

1620 For readability of the data type table, in most cases the usage "X" is not shown. If a component of a data type is not supported by the LAW Profile, it simply doesn't appear in the table representing the data type structure. See the table below for an example.

Table W.1.2-1: Example using Element MSH-21 Message Profile Identifier (EI)

Component/Sub-Component	Usage	LEN	Comment
Entity Identifier (ST)	R	50	<domain>-<transaction number>
Namespace ID (IS)	R	20	IHE

W.1.2b Field Element Lengths

1625 The primitive data elements of the LAW Profile have one of the following characteristics:

- Use a well-defined value domain and cannot be truncated
- Are used as keys/primary identifiers and cannot be truncated
- Provide general information (e.g., CE.2 Text (TX)) and cannot be truncated
- Have no clearly established domain value boundaries and can be truncated

1630 HL7 v2.7 Section 2.5.5 Length describes concepts related to the length of primitive message elements that will be adopted by the LAW Profile. These concepts were used to guide the definition of lengths for the LAW Profile.

1635 A Normative or Conformance Length will be defined for fields that cannot be truncated. No annotation will be provided to differentiate the lengths. When applicable, the length will override any lengths associated with the underlying data types. If a value is received that exceeds the length, the receiving system will generate an error. For some elements (e.g., OBR-4 Observation ID) the Analyzer establishes the set of keys/primary identifiers. Thus, the maximum length used by the Analyzer may actually be less than the conformant length.

1640 The following table establishes the non-truncatable conformance lengths for specific segment field elements used as keys/primary identifiers. For some elements the conformance length has been increased to 50 in order to support machine-generated GUIDs. The sections describing the segments fields will identify when the element length has been increased to 50.

Table W.1.2b-1: Conformance Lengths for Keys/Primary Identifiers

Field	Field Element	Conformance Length (cannot be truncated)
INV-1 Identifier of Substance	CE.1 (ST) Identifier	50
INV-16 Manufacturer Lot Number	ST	50 ¹
MSA-2 Message Control ID	ST	50
MSH-10 Message Control ID	ST	50
OBR-2 AWOS-ID	EI.1 (ST) Entity Identifier	50
OBR-3 Filler Order Number	EI.1 (ST) Entity Identifier	50
OBR-4 Universal Service Identifier	CE.1 (ST) Identifier	20 ¹
OBR-16 Ordering Provider	XCN.1 (ST) ID Number	15
OBX-3 Observation Identifier	CE.1 (ST) Identifier	20 ¹
OBX-3 Observation Identifier	CE.4 (ST) Alternate Identifier	7 ²
OBX-5 Observation Value	CE.1 (ST) Identifier	20 ¹
OBX-6 Units	CE.1 (ST) Identifier	20 ¹
OBX-16 Responsible Observer	XCN.1 (ST) ID Number	15
OBX-21 Observation Instance Identifier	EI.1 (ST) Entity Identifier	50 ¹
ORC.2 Placer Order Number (AWOS ID)	EI.1 (ST) Entity Identifier	50
ORC-4 Placer Group Number	EIP.EI.1 (ST) Entity Identifier	50
ORC-8 Parent (AWOS ID)	EIP.EI.1 (ST) Entity Identifier	50
PID-3 Patient Identifier List	CX.ID.1 (ST) ID Number	20
SAC-3 Container Identifier	EI.1 (ST) Entity Identifier	20
SAC-4 Parent Container Identifier	EI.1 (ST) Entity Identifier	20
SAC-10 Carrier Identifier	EI.1 (ST) Entity Identifier	20 ¹
SAC-13 Tray Identifier	EI.1 (ST) Entity Identifier	20 ¹
SPM-2 Specimen ID	EIP.EI.1 (ST) Entity Identifier	20
SPM-3 Specimen Parent IDs	EIP.EI.1 (ST) Entity Identifier	20
TCD-1 Universal Service Identifier	CE.1 (ST) Identifier	20 ¹

1645

¹ Actual length is established by the Analyzer, but will not be greater than the conformance length.

² This is a normative length established by Table W.2.3-5 LAW Codes for Supplemental Results

1650 For fields that can be truncated, a Conformance Length will be defined and the profile will use the “#” character to identify lengths that can be truncated. If a value is received that exceeds the Conformance Length and the system cannot support values greater than the Conformance Length, the receiving system will truncate the value and use the “#” character as the very last character of the value to annotate that the string was truncated. If the system can support more than the Conformance Length, then it may save the value without truncation. This concept is pre-adopted from HL7 v2.7.1, Section 2.5.5.3 Conformance Length (see this section for more information). The following table identifies the field elements that can be truncated.

Table W.1.2b-2: Conformance Lengths for Truncatable Field Elements

Field	Field Element	Conformance Length (can be truncated)
ERR-8 User Message	TX	250#
NTE-3 Comment	FT	120#
OBR-16 Ordering Provider	XCN.2.1 Surname (ST)	20#
OBR-16 Ordering Provider	XCN.3 Given Name (ST)	20#
OBR-16 Ordering Provider	XCN.4 Second and Further Given Names (ST)	20#
OBR-16 Ordering Provider	XCN.5 Suffix (ST)	10#
ORC-21 Ordering Facility Name	XON.1 Organization Name (ST)	50#
PID-5 Patient name	XPN.1.1 Surname (ST)	20#
PID-5 Patient name	XPN.2 Given Name (ST)	20#
PID-5 Patient name	XPN.3 Second and Further Given Names (ST)	20#
PID-5 Patient name	XPN.4 Suffix (ST)	10#
PV1-3 Assigned Patient Location	PL.2 Room (IS)	16#

W.1.3 Profile Types

1660 Three major profile types are defined in Section 2.12.5 Profile Types of HL7 v2.5.1:

- HL7 Standard Profile – represents an HL7 specific published standard, creation and publication limited to HL7 use

- 1665 • Constrainable Profile – with **O (Optional)** elements that must be further constrained in order to create implementation profiles
- Implementation Profile – no **O (Optional)** parts, fully implementable

1670 The objective of the LAW Profile is to allow Analyzer vendors to establish in a standardized manner the information it receives and sends when performing testing. The basic interface elements of the LAW Profile, which are identified through the use of the **M** usage type for segments and fields, define an Implementation Profile for exchanging test orders and results with minimal configuration. Vendor coordination may be necessary for the Analyzer Manager to establish test and result mappings if LOINC® or JLAC10 (see Section W.2.3 Order and Result Vocabularies) is not used by the Analyzer. At a minimum, an Analyzer Manager will be able to successfully exchange orders and results with an Analyzer through the basic interface elements.

1680 The enhanced information elements of the LAW Profile establish a Constrainable Profile to support optional Analyzer capabilities. Analyzers that support any of these message elements must create an Implementation Profile by defining the usage for these elements. Profile options have been defined in order to standardize the use of most of the enhanced information (see Table X.5-1 Laboratory Analytical Workflow - Actors and Options), and the elements covered by these options are defined in the sections below in order to reduce negotiation between vendors and facilitate message instance validation. Analyzer vendors must publish which specific options are supported by their Analyzer interface. The Analyzer Manager should send the enhanced information associated with a profile option only when the Analyzer supports the profile option.

1685 Coordination on the use of profile options allows the Analyzer Vendors to eliminate sending unnecessary AWOS transfer data for options that are not supported by the Analyzer.

1690 For enhanced interface elements not covered by a profile option, Analyzers must create an Implementation Profile by defining the usage for these elements. Analyzer Managers are required to support these enhanced interface elements so that no interface changes will be necessary for an Analyzer Manager to establish connectivity with an Analyzer that has an Implementation Profile created from the LAW Profile. However, additional negotiation may be required between the Analyzer and Analyzer Manager in order for the Analyzer Manager to send or correctly process all of the enhanced interface elements used by the Analyzer. The elements are identified with the usage code **RE.AN** (see Section W.1.1 Message and Segment Usage Conventions) to indicate “required if available from Analyzer.”

1695

The following sections describe the conventions for the LAW Profile options.

W.1.3.1 Basic Interface

1700 The implementation profile established by the basic interface is identified through the use of the common LAW message transaction identifiers LAB-27, LAB-28, and LAB-29. One of these Message Profile Identifiers is **required** to be the first identifier listed in MSH-21. This mandatory component establishes the minimum constraints for the basic interface elements for all profiles defined by this guide. Unless additional coordination between the Analyzer and

1705 Analyzer Manager has occurred, the use of these Message Profile Identifiers establishes the usage for all enhanced interface message elements as **X** or **Not Supported**. The use of pre-defined profile option, however, indicates the use of additional message elements as usages as defined by the option.

W.1.3.2 Query

The profile supports multiple query types, which are easily differentiated by the value in QPD-1 (see Section 3.Q.5.4 QPD Segment) of the LAB-27 transaction.

1710 The following table defines how the SAC container identification fields (see Section W.2.1 Specimen Identification) of the LAB-28 response transaction are populated depending on the query executed.

Table W.1.3.2-1: Analyzer Query Message Elements

Element	Transaction	Usage	Comment
SAC-3 Container Identifier	LAB-28: OML^O33	M	LAW_QUERY_WOS LAW_QUERY_ALL LAW_QUERY_ISOLATE
SAC-4 Primary (parent) Container Identifier	LAB-28: OML^O33	RE	LAW_QUERY_WOS LAW_QUERY_ALL
SAC-4 Primary (parent) Container Identifier	LAB-28: OML^O33	M	LAW_QUERY_RACK LAW_QUERY_TRAY LAW_QUERY_ISOLATE
SAC-10 Carrier Identifier	LAB-28: OML^O33	M	LAW_QUERY_RACK
SAC-11 Position in Carrier	LAB-28: OML^O33	M	LAW_QUERY_RACK
SAC-13 Tray Identifier	LAB-28: OML^O33	M	LAW_QUERY_TRAY
SAC-14 Position in Tray	LAB-28: OML^O33	M	LAW_QUERY_TRAY
SAC-15 Location	LAB-28: OML^O33	RE	LAW_QUERY_RACK LAW_QUERY_TRAY

1715 The following table defines the impact to the LAB-28 response transaction for a negative query response to all query types.

Table W.1.3.2-2: Negative Query Message Elements

Element	Transaction	Usage	Comment
PATIENT Segment Group	LAB-28: OML^O33	X	
SPM-4 Specimen Type	LAB-28: OML^O33	M	ALWAYS NULL ("")
SPM-11 Specimen Role	LAB-28: OML^O33	M	ALWAYS populated with "U"
Fields of SAC Segment	LAB-28: OML^O33	Varies	See Table W.1.3.2-1
ORC-1 Order Control	LAB-28: OML^O33	M	ALWAYS "DC"
ORC-9 Date/Time of Transaction	LAB-28: OML^O33	M	
OBSERVATION REQUEST Segment Group	LAB-28: OML^O33	X	

1720

W.1.3.3 Contributing Substances

This profile option is used by Analyzers that identify substances or disposables that contributed to the result. The profile qualifier is LAW_CONTRIB_SUB. The following table identifies the impacted message elements.

1725

Table W.1.3.3-1: Contributing Substances Message Elements

Element	Transaction	Usage	Comment
INV Segment	LAB-29	R	CONTAINER Segment Group and RESULT Segment Group
INV-1 Substance Identifier	LAB-29	R	
INV-2 Substance Status	LAB-29	R	
INV-3 Substance Type	LAB-29	R	
INV-4 Inventory Container Identifier	LAB-29	RE.AN	May not be applicable for all substances
INV-16 Manufacturer Lot Number	LAB-29	RE.AN	May not be applicable for all substances

W.1.3.4 Dilutions

This profile option is used by Analyzers that support dilutions. The profile qualifier is LAW_DILUTIONS. The following table identifies the impacted message elements.

1730

Table W.1.3.4-1: Dilutions Message Elements

Element	Transaction	Usage	Comment
TCD Segment	LAB-28: OML^O33 LAB-29	R	
TCD-2 Auto-Dilution Factor	LAB-28: OML^O33 LAB-29	RE	Provide either TCD-2, TCD-11, or both.
TCD-3 Rerun Dilution Factor	LAB-28: OML^O33	RE	
TCD-5 Endogenous Content of Pre-Dilution Diluent	LAB-28: OML^O33	RE	Availability depends on Analyzer and test performed
TCD-11 Auto-Dilution Type	LAB-28: OML^O33 LAB-29	RE	Provide either TCD-2, TCD-11, or both.

W.1.3.5 Patient Demographics

1735 This profile option is used when the Analyzer supports patient demographic. The Profile Option Identifier is LAW_PAT_DEM. The Analyzer Manager should only send patient demographic data when the Analyzer supports the option. The following table identifies the message elements impacted by the use of this option.

Table W.1.3.5-1: Patient Demographics Message Elements

Element	Transaction	Usage	Comments
PATIENT Segment Group	LAB-28: OML^O33	RE	
PID Segment	LAB-28: OML^O33	R	
PV1 Segment	LAB-28: OML^O33	RE	
PATIENT Segment Group	LAB-28: ORL^O34	RE	
PID Segment	LAB-28: ORL^O34	R	
PATIENT Segment Group	LAB-29	RE	Contains PID Segment
PID Segment	LAB-29	R	
VISIT Segment Group	LAB-29	RE.AN	Contains PV1 Segment
PV1 Segment	LAB-29	R	Usage controlled by VISIT Segment Group
PID-3 Patient Identifier List	LAB-28 LAB-29	R	
PID-5 Patient Name	LAB-28 LAB-29	R	
PID-7 Date/Time of Birth	LAB-28: OML^O33	RE	

Element	Transaction	Usage	Comments
PID-7 Date/Time of Birth	LAB-28: ORL^O34 LAB-29	RE.AN	
PID-8 Administrative Sex	LAB-28: OML^O33	RE	
PID-8 Administrative Sex	LAB-28: ORL^O34 LAB-29	RE.AN	
PID-10 Race	LAB-28: OML^O33	RE	May not be allowed in some countries
PID-10 Race	LAB-28: ORL^O33 LAB-29	RE.AN	May not be allowed in some countries
PV1-2 Patient Class	LAB-28: OML^O33 LAB-29	R	Usage controlled by PV1 Segment
PV1-3 Assigned Patient Location	LAB-28: OML^O33 LAB-29	RE	Usage controlled by PV1 Segment

1740

W.1.3.6 Analyzer Reflex

This profile option is used by Analyzers that perform reflex testing (see Section X.2.5.1 Reflex decided on the Analyzer and Section W.2.6 Reflex Initiated at the Analyzer). The Profile Option Identifier is LAW_REFLEX. The following table identifies the message elements impacted by the use of this option.

1745

Table W.1.3.6-1: Analyzer Reflex Message Elements

Element	Transaction	Usage	Comment
ORC-8 Parent	LAB-29	RE	Carries the AWOS IDs of the parent for the reflex
OBR-2 Placer Order Identifier	LAB-29	M	ALWAYS populated with NULL ("")
OBR-11 Specimen Action Code	LAB-29	RE	ALWAYS populated with "G"

W.1.3.7 Analyzer Rerun

1750

This profile option is used by Analyzers that perform reruns (see Section X.2.4.1 Rerun decided on the Analyzer immediately after the first run and W.2.5 Observation Identification). The Profile Option Identifier is LAW_RERUN. The following table identifies the message elements impacted by the use of this option.

1755

Table W.1.3.7-1: Analyzer Rerun Message Elements

Element	Transaction	Usage	Comment
OBX-4 Observation Sub-ID	LAB-29	M	Analyzer uses this field to identify the runs

W.1.3.8 Analyzer Manager Rerun/Reflex

This profile option is used by Analyzer Managers that perform reflex testing. The profile option identifier is LAW_AM_RR. The following table identifies the message elements impacted by the use of this option.

1760

Table W.1.3.8-1: Analyzer Manager Rerun/Reflex Message Elements

Element	Transaction	Usage	Comment
TCD Segment	LAB-28: OML^O33	R	OBSERVATION REQUEST Segment Group
TCD-8 Analyte Repeat Status	LAB-28: OML^O33	R	Indicate if original, rerun, or reflex test

W.1.3.8b Analyzer Manager Rerun and Reflex Control

This profile option is used by Analyzers that allow the Analyzer Manager to control the Analyzer rerun and reflex testing. The profile option identifier is LAW_AM_RR_CONTROL. The following table identifies the message elements impacted by the use of this option.

1765

Table W.1.3.8b-1: Analyzer Manager Rerun/Reflex Message Elements

Element	Transaction	Usage	Comment
TCD Segment	LAB-28: OML^O33	R	OBSERVATION REQUEST Segment Group
TCD-6 Automatic Repeat Allowed	LAB-28: OML^O33	R	OBSERVATION REQUEST Segment Group
TCD-7 Reflex Allowed	LAB-28: OML^O33	R	OBSERVATION REQUEST Segment Group

1770

W.1.3.9 AWOS W.1.3.9 AWOS Priority

This profile option is used by Analyzers that allow the Analyzer Manager to assign a priority to the AWOS request. The profile qualifier is LAW_AWOS_PRIORITY. The following table identifies the impacted message elements.

1775

Table W.1.3.9-1: AWOS Priority Message Elements

Element	Transaction	Usage	Comment
TIMING Segment Group	LAB-28: OML^O33	RE	
TQ1Segment	LAB-28: OML^O33	R	TIMING Segment Group
TQ1-9	LAB-28: OML^O33	R	Requested AWOS priority
TIMING_QTY Segment Group	LAB-29	R	
TQ1Segment	LAB-29	R	
TQ1-9	LAB-29	R	Actual AWOS priority

W.1.3.10 Specimen Details

This profile option is used by Analyzers that support receiving additional details about a specimen. The profile option identifier is LAW_SPECIMEN. The following table identifies the message elements impacted by the use of this option.

1780

Table W.1.3.10-1: Specimen Details Message Elements

Element	Transaction	Usage
SPM-2 Specimen ID	LAB-28: OML^O33 LAB-29	RE RE.AN
SPM-3 Specimen Parent IDs	LAB-28: OML^O33 LAB-29	RE RE.AN
SPM-7 Specimen Collection Method	LAB-28: OML^O33	RE
SPM-8 Specimen Source Site	LAB-28: OML^O33	RE
SPM-9 Specimen Source Site Modifier	LAB-28: OML^O33	RE
SPM-16 Specimen Risk Code	LAB-28: OML^O33	RE
SPM-17 Specimen Collection Date/Time	LAB-28: OML^O33	RE
SPM-18 Specimen Received Date/Time	LAB-28: OML^O33	RE
SPM-27 Container Type	LAB-28: OML^O33	RE

W.1.3.11 Container Details

This profile option is used by Analyzers that support receiving additional information about the specimen container. The profile option identifier is LAW_CONTAINER. The following table identifies the message elements impacted by the use of this option.

1785

Table W.3.1.11-1: Container Details Message Elements

Element	Transaction	Usage
SAC-9 Carrier Type	LAB-28: OML^O33	RE
SAC-21 Container Volume	LAB-28: OML^O33	RE
SAC-22 Available Specimen Volume	LAB-28: OML^O33	RE
SAC-24 Volume Units	LAB-28: OML^O33	RE
SAC-29 Dilution Factor	LAB-28: OML^O33	RE

1790

W.1.3.12 Mass Spectrometry

This profile option is used by Analyzers that report mass spectrometry results. The profile qualifier is LAW_MASS_SPEC. The following table identifies the impacted message elements.

1795

Table W.1.3.12-1: Mass Spectrometry Message Elements

Element	Transaction	Usage
OBX-9 Probability	LAB-29	RE

W.1.3.14 Related Observations

This profile option is used by Analyzers that support receiving related lab observations. The Profile Option Identifier is LAW_REL_OBS. The Analyzer Manager should only send related observations when the Analyzer supports the option. The following table identifies the message elements impacted by the use of this option.

1800

Table W.1.3.14-1: Related Observations Message Elements

Element	Transaction	Usage
OBSERVATION Segment Group	LAB-28: OML^O33	RE

1805

W.1.3.15 External Result

This profile option is used by Analyzers that support reporting results using a reference pointer (see X.2.11 Result Handling and W.2.5.6 Observation Result Stored Externally). The profile qualifier is LAW_RESULT_EXT. The following table identifies the impacted message elements.

1810

Table W.1.3.15-1: Result Reference Message Elements

Element	Transaction	Usage	Comment
OBR-49 Result Handling	LAB-29	RE	Identifies if Reference Pointer is External with value 'RE'
OBX-2 Value Type	LAB-29	M	Analyzer must support "RP" data type

W.1.3.16 Pooling of Specimens on the Analyzer

1815 This profile option is used when the Analyzer supports pooling of patient specimens on the analyzer (see Section X.2.10 Pooling of Specimens on the Analyzer). The Profile Option Identifier is LAW_POOL_AN. The following table identifies the message elements impacted by the use of this option.

Table W.1.3.16-1: Analyzer Pooling of Patient Specimens Message Elements

Element	Transaction	Usage	Comment
TCD-10 Pool Size	LAB-28: OML^O33	R	Maximum size of pool
TCD-10 Pool Size	LAB-29	R	Actual size of pool

1820

W.1.3.17 Pooling of Specimens Outside the Analyzer

1825 This profile option is used when the Analyzer requires information about the pooling of patient specimens that happened outside the analyzer (see Section X.2.9 Pooling of patient specimens outside of the Analyzer). The Profile Option Identifier is LAW_POOL_NOAN. The following table identifies the message elements impacted by the use of this option.

Table W.1.3.17-1: External Pooling Message Elements

Element	Transaction	Usage	Comment
PATIENT Segment Group	LAB-28: OML^O33	X	Not allowed
PATIENT Segment Group	LAB-28: ORL^O34	X	Not allowed
PATIENT Segment Group	LAB-29	X	Not allowed
SPM-3 Segment Parent IDs	LAB-28: OML^O33 LAB-28: ORL^O34	R	Specimens used in the Pool
SPM-11 Specimen Role	LAB-28: OML^O33 LAB-28: ORL^O34	M	Always populated with "L"
SPM-13 Grouped Specimen Count	LAB-28: OML^O33 LAB-28: ORL^O34	R	The number of patient specimens that were pooled

W.1.3.18 Optional Message Elements

The following enhanced interface elements are not covered by a profile option.

1830

Table W.1.3.18-1: Optional Message Elements

Element	Transaction	Usage	Comment
ERR-5 Application Error Code	LAB-27 LAB-28 LAB-29	RE.AN RE RE.AN	Enhanced error reporting
ERR-8 User Message	LAB-27 LAB-28 LAB-29	RE.AN RE RE.AN	Enhanced error reporting
NTE Segment	LAB-28 LAB-29	RE RE.AN	Used in multiple segment groups
NTE-4 Comment Type	LAB-28 LAB-29	RE RE.AN	
OBR-3 Filler Order Number	LAB-29	RE.AN	
OBR-16 Ordering Provider	LAB-28	RE	
OBX Segment	LAB-29	RE.AN	When used in SPECIMEN Group
OBX-4.2 Group	LAB-29	RE.AN	Used by Analyzers to group results
OBX-4.3 Sequence	LAB-29	RE.AN	Used by Analyzers to sequence results
OBX-7 Reference Range	LAB-29	RE.AN	Used by Analyzers that want to report reference ranges
OBX-21 Observation Instance Identifier	LAB-28 LAB-29	RE RE.AN	Sent by Analyzers that uniquely identify results
ORC-4 Placer Group Number	LAB-28 LAB-29	RE RE.AN	
ORC-21 Ordering Facility Name	LAB-28	RE	May be used by Analyzers for rule evaluation
ORC-27 Filler Expected Availability Date/Time	LAB-29	RE.AN	Used by Analyzers that can report estimated completion for an AWOS
TCD-9 Specimen Consumption Quantity	LAB-28	RE	Used by Analyzer when needed for observation accuracy.

W.2a HL7 Data Types

The data type constraints defined in PaLM TF-2a: 2.4.6 will be used, with the following exceptions.

1835 **W.2a.1 EI – Entity Identifier**

The LAW Profile does not follow the data type constraints for EI defined in PaLM TF-2a: 2.4.6.2 because the information defined in the Namespace ID, Universal ID, and Universal ID Type components are not useful for the Analyzer. The Analyzer Manager is expected to maintain the detailed information associated with an Entity Identifier for communication with other systems.

A standard length of 50 for the Entity Identifier component is used. This length supports GUID identifiers.

For all uses the EI data type, the sub-components used are identified as part of the field and component descriptions. In most cases, only EI.1 Entity Identifier is required.

1845 **W.2a.2 EIP – Entity Identifier Pair**

The LAW Profile does not follow the data type constraints for the EIP data type defined in Section 2.4.6.3 because there is no need for the Analyzer to populate EIP.2 Filler Assigned Identifier with an Analyzer generated identifier.

1850 For all uses of the EIP data type, the usage of the EIP.1 and EIP.2 components and sub-components are identified as part of the field and component descriptions. The EI data type sub-components will conform to Section W.2a.1.

W.2a.3 ED – Encapsulated Data

1855 In order to align the usage of the ED data type with MIME media types and subtypes established in accordance with IETF RFC 2046 (<http://ietf.org/rfc/rfc2046.txt>), LAW pre-adopts the values in the following HL7 tables from v2.8:

- HL7 Imported Table 0834 MIME Types for ED.2 Type of Data (ID).
- HL7 External Table 0291 Subtype of Referenced Data for ED.3 Data Subtype (ID).

W.2 Messaging Details

The following sections provide additional messaging details.

1860 **W.2.1 Specimen Identification**

The Analyzer matches one or more AWOSs to a specimen container in order to perform tests on the specimen carried by the specimen container. In order to identify a specimen container, the fields of the SAC – Specimen Container Detail segment are used. The SAC segment is also used

1865 to carry additional container information, such as container volume. The SAC segment is mandatory for LAB-28 and LAB-29.

The following SAC elements, predicates, and rules will be used for container identification:

- 1870 • SAC-3 Container Identifier is a conditional element for LAB-28 and LAB-29. It is assumed this is a value from the container bar code, container RFID tag, or other container identification mechanism.
- 1875 • SAC-4 Primary (parent) Container Identifier is a conditional element for LAB-28 and LAB-29. It is assumed this is a value from the bar code, RFID tag, etc. for a parent container.
- 1875 • The predicate for both SAC-3 and SAC-4 is that SAC-3, SAC-4, or both must be populated.
- 1880 • If SAC-3 is populated, then it is considered to be the container identifier to use when matching an AWOS to the container. SAC-4 may also be populated if the container contents were obtained from a parent container.
- 1880 • In LAB-28, if only SAC-4 is populated, then SAC-10/11 (carrier/carrier location) or SAC-13/14 (tray/tray location) must be populated to identify the container/tray location. SAC-4 identifies the parent container, while the location carrier/tray location information identifies the specific container/tray location for testing.
- 1885 • In LAB-29, SAC-10/11 (carrier/carrier location) and SAC-13/14 (tray/tray location) may be populated by the Analyzer to provide additional container information to the Analyzer Manager. For example, the Analyzer Manager may have identified the container using SAC-3 in the LAB-28 message. In the LAB-29 message, the Analyzer may populate SAC-10/11 along with SAC-3 to inform the Analyzer Manager of the specific carrier and location that contained the container.

Other SAC Fields may be populated as well.

1890 Refer to HL7 v2.5.1 Chapter 13, Section 13.4.3.3 for more details.

Table W.2.1-1 defines how the Analyzer Manager uses the SAC segment to identify a specimen originally provided in a specimen container with ID 987654 for the following scenarios, where each column in the table represents one of the scenarios (only required fields are shown):

- 1895 • The specimen is contained in the Primary Container.
- The specimen is an aliquot container with barcode 987654A.
- The specimen is an aliquot container with no barcode that is in Position 3 of the Carrier with identifier 12345.
- The specimen is an aliquot in the location at row 1, column 8 (also known as location A-8) of the tray with identifier 8523.

- 1900
- The specimen is an isolate (a pure colony of a microorganism) with identifier ISO123.

Table W.2.1-1: Specimen Identification Scenarios

SAC Fields	Primary container	Aliquot container w/barcode	Aliquot container without barcode in rack	Aliquot in tray	Isolate
SAC-3 Container Identifier	987654	987654A	-	-	ISO123
SAC-4 Primary (parent) Container Identifier	-	987654	987654	987654	987654
SAC-10 Carrier Identifier	-	-	12345	-	
SAC-11 Position in Carrier	-	-	3	-	
SAC-13 Tray Identifier	-	-	-	8523	
SAC 14 Position in Tray	-	-	-	1^8	
SAC-15 Location	-	-	-	A-8	

W.2.2 Device Identification

1905 Information about the equipment used to produce an observation is included in the LAB-29 AWOS Status Change message. Many labs compare testing from the same analyzer model/method for inter-lab quality control and proficiency testing, so the Analyzer will provide vendor name (manufacturer), Analyzer model, and unique instrument identifier (manufacturer serial number) to facilitate these activities.

1910 Also, an Analyzer may be composed of multiple device modules, so the message will support vendor specific fields that may be used to describe a hierarchical representation of the equipment, e.g., module of an instrument, instrument consisting of modules, cluster of multiple instruments, etc.

1915 In addition, there are also regulatory requirements related to the "Universal Device Identification", which will be supported. The Universal Device Identifier (UDI) is:

- coded according to ISO 15459-3:2006(E): Information Technology – Unique identification – Part 3: Common rules for unique identifiers (GS1, HIBCC)
- created and maintained by the manufacturer
- consisting of the concatenation of the Device Identifier (DI) and the Production Identifier (PI)
 - DI (static): manufacturer, make, model
 - PI (dynamic, presence depending on risk class): serial number, lot number, expiration date

Therefore, fields for carrying the UDI and UDI type will be supported as optional fields.

1925 OBX-18 Equipment Instance Identifier is used to carry the device information. This field is repeatable and is of type EI, which has the subcomponents Entity Identifier, Namespace, Universal ID, and Universal ID Type.

OBX-18 is repeatable in v2.5.1. The first instance is mandatory and will be used to carry the instrument model, manufacturer, and optional UDI information.

1930

Table W.2.2-1: First Instance of Element OBX-18 Equipment Instance Identifier

Sub-Component	Usage	Comment
Entity Identifier	R	Model
Namespace	R	Manufacturer
Universal ID	O	UID when populated
Universal ID Type	O	ISO when populated

The second instance of OBX-18 is also mandatory and will be used to carry the serial number.

1935

Table W.2.2-2: Second Instance of Element OBX-18 Equipment Instance Identifier

Sub-Component	Usage	Comment
Entity Identifier	R	Serial Number
Namespace	R	Manufacturer
Universal ID	X	
Universal ID Type	X	

The optional third and subsequent instance of OBX-18 will be used to carry vendor information about the configuration of the equipment (cluster of modules, etc.) or site specific identification.

1940

Table W.2.2-3: Third and Subsequent Instance of Element OBX-18 Equipment Instance Identifier

Sub-Component	Usage	Comment
Entity Identifier	R	Vendor/site specific
Namespace	R	Vendor/site specific
Universal ID	X	
Universal ID Type	X	

Remark: The Namespace component is of data type IS, so the length is constrained.

W.2.2b Coding Systems

1945 The LAW Profile places an emphasis on the clear identification of codes used in the messages. The profile identifies codes that should be known between the Analyzer and Analyzer Manager to minimize the need for either actor to interpret the meaning of a code. In addition, the profile also recognizes that local or vendor-defined codes are necessary.

1950 In order to clarify the use of codes, LAW specifies the following conventions to follow when identifying codes and coding systems as part of an LAW transaction:

- If a code is drawn from a standard code system, it should be identified using the coding system identifier from HL7 Table HL70396 Coding System table
- Values used from appropriate HL7 tables are identified with “HL7nnnn”, where “nnnn” is the HL7 table number
- 1955 • When appropriate, LAW defines codes and the coding system name for these values will be “IHELAW”. This includes extensions and codes for user-define tables. The “IHELAW” coding scheme is maintained and published by the IHE Laboratory Committee. It is assigned the OID **1.3.6.1.4.1.19376.1.3.5** and is registered as such in the HL7 OID registry.
- 1960 • The “99zzz...” construct should be used to identify vendor-defined codes rather than “L”. The vendor is free to choose any convention they desire for the “zzz...” elements of the coding system name, and it is not limited to just three alphanumeric characters.
- Even though the values for a table can be extended, or a table may be designated as user defined, the “99zzz...” construct will be used to clearly identify the code as vendor-specific. Thus, the receiver is not required to recognize the meaning of the code.
- 1965 • The receiver will assume all coding systems beginning with “99” are vendor-defined and thus non-standard. However, vendors may exchange configuration information so that the receiver can be configured to interpret the code.
- The scope of all coding systems beginning with “99” is bound to the interface at hand
- 1970 between the Analyzer and the Analyzer Manager. Since this scope is local, there is no need to define a unique name for this coding scheme on a wider scale.

The following table describes how the CE and CWE data types are used by this profile. Note that the “alternate” fields are only specified for Supplemental Results, as described in Section W.2.3 Order and Result Vocabularies.

1975

Table W.2.2b-1: CE/CWE Data Type

Component/Sub-Component	Usage	LEN	Comment
-------------------------	-------	-----	---------

Component/Sub-Component	Usage	LEN	Comment
Identifier (ST)	R	20	Only ASCII printable characters (excluding the MSH-1 Field Separator, MSH-2 Encoding Characters, and white space) should be used.
Text (ST)	RE	199	Should always be provided if available, may be R for specific usages.
Name of Coding System (ID)	R	12	<ul style="list-style-type: none"> • A coding system defined in HL7 Table HL70396, • “HL7nnnn” for an HL7 Table • “IHELAW” for codes defined by the LAW Profile • “99zzz...” identifier for a vendor-defined coding system
Alternate Identifier (ST)	X or R	20	Only used for Supplemental Results. Only ASCII printable characters (excluding the MSH-1 Field Separator, MSH-2 Encoding Characters, and white space) should be used.
Alternate Text (ST)	X or R	18	Only Used for Supplemental Results.
Name of Alternate Coding System (ID)	X or R	6	Only used for Supplemental Results.

1980 For LAW, the objective is to clearly identify codes that the receiver should understand semantically. All codes established by a HL7 or other coding system will be designated with the proper coding system name. In addition, when a code set is extended by LAW it will be identified as part of the “IHELAW” coding system. Likewise, if the code set is extended by a vendor, then it will be identified with the “99zzz...” construct. A receiver does not have to recognize a code from a “99zzz...” coding system.

W.2.3 Order and Result Vocabularies

1985 OBX-3 Observation Identifier, OBR-4 Universal Service Identifier, and TCD-1 Universal Service Identifier are used to identify orders and results. This profile recommends LOINC® and JLAB10 as standard vocabularies for the Universal Service and Observation Identifiers. The profile also supports the use of vendor-defined codes.

When using a LOINC® code, the CE data type is populated as follows:

1990

Table W.2.3-1: LOINC® Coding

Component/Sub-Component	Usage	LEN	Comment
Identifier (ST)	R	20	LOINC® Code
Text (ST)	R	199	LOINC® Name

Component/Sub-Component	Usage	LEN	Comment
Name of Coding System (ID)	R	2	LN

When using a JLAC10 code, the CE data type is populated as follows:

1995

Table W.2.3-2: JLAC10 Coding

Component/Sub-Component	Usage	LEN	Comment
Identifier (ST)	R	20	JLAC10 Code
Text (ST)	R	199	JLAC10 Name
Name of Coding System (ID)	R	4	JC10

When using a vendor-defined observation code, the CE data type is populated as follows:

Table W.2.3-3: Vendor Coding

Component/Sub-Component	Usage	LEN	Comment
Identifier (ST)	R	20	Vendor-defined code
Text (ST)	R	199	Vendor-defined name
Name of Coding System (ID)	R	12	“99zzz...” identifier for a vendor-defined coding system

2000

In addition, this profile defines specific LAW codes used to classify a **Supplemental Result** (see Section W.2.5.2 Transmitting Supplemental Results) of an **Observation**. For a **Supplemental Result**, a vendor-defined code that uniquely identifies the representation is sent in OBX-3, along with an LAW **Supplemental Result** code in the alternate code components. The field is

2005

populated as follows:

Table W.2.3-4: LAW Supplemental Result Coding for OBX-3

Component/Sub-Component	Usage	LEN	Comment
Identifier (ST)	R	20	Vendor-defined code
Text (ST)	R	199	Vendor-defined name
Name of Coding System (ID)	R	12	“99zzz...” identifier for a vendor-defined coding system
Alternate Identifier (ST)	R	7	LAW Code from Table W.2.3-5
Alternate Text (ST)	R	18	LAW Name from Table W.2.3-5

Component/Sub-Component	Usage	LEN	Comment
Name of Alternate Coding System (ID)	R	6	IHELAW

The following defines the LAW **Supplemental Result** identifiers.

2010

Table W.2.3-5: LAW Codes for Supplemental Results

Code	Name	Description
S_IMAGE	Supplemental Image	An image representing some aspect of the observation
S_GRAPH	Supplemental Graph	A graph representing some aspect of the observation
S_RAW	Raw Supplemental	One or more raw values associated with the observation
S_OTHER	Other Supplemental	Vendor specific Supplemental Result not covered by LAW

W.2.4 Units of Measure

2015 The Unified Code for Units of Measure (UCUM) is a code system intended to include all units of measures being contemporarily used in international science, engineering, and business. The purpose is to facilitate unambiguous electronic communication of quantities together with their units. The focus is on electronic communication, as opposed to communication between humans.

2020 UCUM is not a traditional coding system in that it does not assign unique identifiers (or codes) to each unit of measure, but instead it is a definition of an algebraic grammar and syntax used to express units that can be unambiguously parsed and semantically understood by computer systems.

UCUM will be used to define units of measure for SAC-24 Volume Units and OBX-6 Units. By using UCUM, a common syntax for defining units of measure is enforced. However, the following constraints were identified when establishing conventions for encoding units:

- 2025
- Human-readable units in addition to the UCUM machine-readable syntax will be required. This ensures display units (human-readable unit) align with the documentation provided to the customer, while the UCUM syntax can be used for automated processing.
 - There will be instances where it may not be possible to use or enforce UCUM syntax for a unit. For example, an Analyzer may support user-defined assays and may not be able to enforce or require UCUM units as part of the definition. Likewise, there may be legacy assays with associated customer documentation that do not align with UCUM syntax. These types of units will be considered to be in a human-readable format, with no coding based on a coding system.
- 2030

The profile supports transmitting a unit with the UCUM syntax as follows:

2035

Table W.2.4-1: UCUM Unit (CE)

Component/Sub-Component	LEN	Usage	Comment
Identifier (ST)	20	R	UCUM coded unit of measure
Text (ST)	199	R	Vendor human-readable unit
Name of Coding System (ID)	4	R	Fixed “UCUM” (value pre-adopted from HL7 v2.6)

The profile supports transmitting a unit available only in a human-readable format as follows:

2040

Table W.2.4-2: Human-Readable Unit (CE)

Component/Sub-Component	LEN	Usage	Comment
Identifier (ST)		X	Blank
Text (ST)	199	R	Vendor human-readable unit
Name of Coding System (ID)		X	Blank

W.2.5 Observation Identification

When fulfilling an AWOS, for each **Observable Entity** (test performed or computed) of the AWOS, an Analyzer may:

- 2045
 - Produce a single observation (referred to as an **Observation Result**)
 - Produce multiple **Observation Results** with distinct Observation Identifiers (e.g., results associated with a hematology complete blood count AWOS)
 - Produce multiple **Observation Results** with the same Observation Identifier (e.g., multiple organisms identified in a microbiology “organism identification” AWOS)
- 2050
 - Capture supplemental information as images, graphs, and raw values (referred to as a **Supplemental Result**)
 - Perform multiple runs of the same test (reruns) resulting in groups of results (**Observation Run**), where each group contains related **Observation Results** and **Supplemental Results**

2055 It is important that the Analyzer provide sufficient details in the messaging so that the Analyzer Manager can correctly distinguish results for the same observation (e.g., multiple organisms), group results from the same run, and distinguish between **Observation Results** and **Supplemental Results**. The **AWOS Fulfillment** structure looks as follows, using the HL7 message elements of brackets ([...]) to represent optional items and braces ({...}) to identify repeatable items:

2060


```
2065      -- AWOS Fulfillment begin
          {-- Observable Entity (test) begin
            {-- Observation Run begin
              {-- Observation begin
                Observation Result
                [{{Supplemental Result}}]
              -- Observation end}
            -- Observation Run end}
          -- Observable Entity (test) end
        -- AWOS Fulfillment end
```

W.2.5.1 HL7 Message Elements

2075 For each **AWOS Fulfillment**, an OBR and ORC segment is sent containing the following information:

- OBR-2 Placer Order Number contains the AWOS ID that associates the observation with the AWOS.
- OBR-4 Universal Service Identifier contains the identifier for the requested battery or test. See Section W.2.3 “Universal Service and Observation Identifier Vocabularies” for more details on populating this field.
- ORC-5 "Order Status" is the status of the AWOS. Its possible values are:
 - **"SC"**: the AWOS is **scheduled** on the Analyzer. The specimen has not reached the Analyzer yet.
 - **"IP"**: The first run of the AWOS is **in process** by the Analyzer with the specimen. There may be some results available or none.
 - **"CM"**: Completed - the Analyzer has finished its work for the AWOS. The results may have been produced or not. No additional result is expected for this AWOS. Nonetheless, a correction of some of the reportable results produced for this AWOS may still be sent by the Analyzer, in which case the AWOS status will remain "CM".
 - **"CA"**: The AWOS has been cancelled per request of the Analyzer Manager. Cancellation can happen only before the process of the AWOS has started, when the AWOS is created or scheduled.

The possible transitions of the status of an AWOS are represented on Figure W.3.7-1, in Section W.3.7.

2095 Separate OBX segments are used to carry each **Observation Result** and **Supplemental Result**:

- OBX-3 Observation Identifier identifies the **Observation Result** or **Supplemental Result**. See Section W.2.3 “Universal Service and Observation Identifier Vocabularies” for more details on populating this field. In some cases, the value of OBX-3 will be the same as OBR-4 because the identifier for the AWOS is the same as the identifier for the observation.

2100

- OBX-4 Observation Sub-ID contains a run number when multiple runs of an AWOS are performed. Each run of an AWOS will have a unique positive integer identifier. This applies for runs reported in the same message as well as across messages. The first run will be “1”, the second run “2”, and so on. A run is either an instance of the same test performed multiple times because the Analyzer performs reruns, or it is an instance of a progress of tests (such as in Microbiology) that are performed leading to the reportable observation.

2105

Conditionally, it can also contain a group number and a sequence number in order to distinguish between multiple OBX segments with the same Observation ID organized under one OBR. This is a frequent case in mass spectrometry, where the result can have two identification results with different probability. Or, when the interpretation of a susceptibility result is dependent on the source site or route of administration, which the analyzer may not have.

2110

Optionally, it can also contain a group number and/or a sequence number in order to further classify multiple OBX segments reported for the AWOS. When used in this manner, the OBX segments may have the same or different Observation IDs. For example, this can be used to identify analyzer-dependent groups of results for the AWOS. Each OBX could be assigned to a group identified by a common group numerical value, such as group “1”, group “2”, and so on. In order for the additional information to be processed, the Analyzer and Analyzer Manager vendors must agree on how the Analyzer Manager should interpret the grouping and sequence information.

2115

2120

- OBX-11 "Observation Result Status" is the status of an observation produced by a run of the AWOS. It is interpreted as follows:

- "P" represents a **preliminary result** in a progression of results leading to the reportable result (such as the status of cultures in Microbiology).

2125

- "R" (**entered, not verified**) is used when the Analyzer has performed multiple runs for an AWOS, has selected the best run whose result is flagged "F", and is also reporting the results produced by the other runs for traceability. The results of these other runs are flagged "R" to inform the Analyzer Manager that these are not candidate to be reportable. The only candidate result is the one flagged "F".

2130

- 2135 • "F" marks a **final** result of an Observation Run. The result is a candidate to be reported to the ordering provider. In case of multiple runs for an AWOS, if the results of all runs are flagged "F", all of them are candidates and the decision to choose the best one is left up to the Analyzer Manager. Conversely, if the results of all runs are flagged "R" but one flagged "F", this one is the only candidate.
- "C" represents a **correction** of a result previously sent as final. The correction stays in the same Observation Run.
- 2140 • "X" means that the Analyzer was **not able to produce any result** for this observation in this Observation Run. There will be no results for the observation in this run. If this is the only run, this observation will have no result.

The possible transitions of the status of an observation, no matter how many runs are performed for the AWOS, are represented on Figure W.3.6-1, in Section W.3.6.

The following two tables summarize these important fields that are used to identify an observation.

2145

Table W.2.5.1-1: Fields Used to Identify Observation Instances

OBR-2 Placer Order Number	OBR-4 Universal Service Identifier	OBX-3 Observation Identifier	OBX-4 Observation Sub-ID
AWOS ID	The identifier for the requested battery or test	Unique ID for each observation result. In some cases will be the same as OBR-4	Positive integer for the Run Number. Optionally, group number and sequence number.

Table W.2.5.1-2: Possible statuses of an observation in a run of an AWOS

Status of the AWOS (ORC-5)	Possible observation result statuses (OBX-11)
SC: Scheduled CA: Cancelled	No observation available for this AWOS, in any run. No OBX provided by the Analyzer.
IP: In process	No observation, or some observations with any of these statuses: P – Preliminary result. R – for a result that is not a candidate to be reported upstream. F – Final, for a result candidate to be reported upstream. C – Correction of a result in the same reportable run. X – Result could not be obtained for this run of the observation
CM: Completed	R – for a result that is not a candidate to be reported upstream. F – Final, for a result candidate to be reported upstream. C – Correction of a final result in the same reportable run. X – Result could not be obtained for this run of the observation

Notes:

- 2150
- The cancellation of an AWOS can only happen before the process has started. In other words an Analyzer accepts to cancel an AWOS only when its status is "SC".
 - There cannot be any preliminary result in a completed ("CM") AWOS.
 - A correction of a final observation (OBX-11 = "C") can still be sent by the Analyzer for an AWOS that was previously declared as completed (ORC-5 = "CM").

2155 **W.2.5.2 Related Observations of a Run**

No restrictions are placed on the **Observation Results** or **Supplemental Results** in a message, except as follows.

2160 Some **Observation Runs** include related observations of more than one data type. A common example is an **Observation** that includes a quantitative result and a qualitative result. In this case, the **Observation** is sent in more than one OBX segment. For example, one segment of numeric (NM) data type contains the quantitative value and another segment of coded (CE) data type contains the qualitative result.

2165 When more than one OBX segment is used to send related observations, different codes must be used in OBX-3 for each observation so that OBX-3 and OBX-4 are unique across OBXs. The unique OBX-3 codes may be preexisting, or they can be generated in a number of ways:

- LOINC already supports unique codes for many observations so these can be used as-is.
- Vendors can append a suffix for vendor defined codes and discuss these values in their implementation guide. This effectively creates a unique observation identifier.
 - Suffixes can be any alpha-numeric sequence 75.C, 75.CONC, 75-2, etc.
- 2170 • Any separator can be used except those already used as HL7 delimiters.
- Specific values such as "I", "A" can be assigned to qualitative observations to establish the type of observation (e.g., interpretation, abnormality).
- Rolling numbers such as 1, 2, and 3 may also be used to differentiate observations.

2175 Although the above example used an OBX segment of data type CE to transmit a qualitative result, the OBX-8 field is strongly recommended for interpretations and flags rather than using a separate OBX segment. By using OBX-8, a vendor is following a standard convention for reporting interpretations and also using a standard vocabulary for the interpretation. The LAW Profile recommends the subset of codes from HL7 Table 0078 pre-adopted from HL7 v2.8.2 that is shown in Table W.3.6-6. However, an Analyzer may extend the set with codes from a vendor-defined coding system.

2180

Qualitative results can also be sent in a separate OBX as a string. However, using an OBX with the ST data type to report an interpretation requires the Analyzer Manager and the Analyzer to agree on how to interpret the code. When using a string, a non-standard vocabulary is used thus additional coordination between vendors is necessary.

2185 **Supplemental Results**, such as raw result values, can also be sent as related observations of a run, and should be reported following the guidance in Section W.2.5.4 Transmitting Supplemental Results. Each **Supplemental Result** requires a unique OBX-3 value, and the techniques described above can be used for distinguishing these results as well. The LAW alternate identifier information in Section W.2.3 Order and Result Vocabularies provides
 2190 guidance on establishing the supplemental result type that is standard across vendors.

When sending related observations of a run, the value of OBX-4, OBX-11, OBX-16, OBX-18, and OBX-19 should be the same for all OBX segments. The observations are all part of the same run, and therefore these values should be consistent for all of the related observations.

W.2.5.3 Transmitting Observations

2195 Each **Observation Result** or **Supplemental Result** is transmitted in a separate OBX segment. The ORC-5, OBX-4, and OBX-11 segment fields are used to identify the AWOS status, group results from the same run, and provide the status of an observation. Table W.2.5.3-1 describes the contents of these fields based on scenarios that may occur on an Analyzer. For this
 2200 discussion, it is assumed that the Analyzer is reporting only one type of observation for the AWOS (i.e., one OBX segment per run).

Table W.2.5.3-1: Examples of Order and Result Status values

Situation	ORC-5 Order Status	OBX-4 Observation Sub-ID	OBX-11 Result status
The Analyzer reports the result of a single run. A value could not be obtained for the observation. The Analyzer considers the AWOS to be complete.	CM	1	X
The Analyzer reports the result of a single run. There is no intent to perform additional runs. The Analyzer considers the AWOS to be complete.	CM	1	F
The Analyzer is sending the observations in multiple messages. Observations '1' to 'n-1' are marked 'R' as not candidate for reporting because the Analyzer has made some determination that they should not be reported and it intends to perform additional runs. The AWOS is still in process on the Analyzer until the result of run 'n' is sent. The Analyzer marks the result in the last run as the only candidate reportable result.	IP CM	1..(n-1) n	R F
The current observation is part of a set of multiple runs and the analyzer considers all of them as candidates for reporting, leaving the choice up to the Analyzer Manager. All runs are reported in the same message. The AWOS is completed on the Analyzer.	CM	1..n	F

Situation	ORC-5 Order Status	OBX-4 Observation Sub-ID	OBX-11 Result status
The current observation is part of a set of multiple runs for which the Analyzer selects one of the runs as the best candidate. Results of all runs are sent in the same message. The AWOS is completed on the Analyzer.	CM	m 1..n – {m}	F for the results of the selected run R for the results of the other runs
The Analyzer is correcting one of the results of a run previously sent as the reportable one for this test.	CM	The distinct result identifier of the OBX	C

W.2.5.3.1 Sample Messages for Single and Multiple Runs

2205 The following is a sample message showing the transmission of a single run with multiple **Observation Results**:

```
MSH|...
PID|...
OBR|111111|85027^Hemogram and platelet count|...
ORC|SC|||CM|||20120530182101
OBX|1|NM|11156-7^LEUKOCYTES^LN|1|8.2|10*3/mm3^^UCUM|||R||20120530182101
OBX|2|NM|11273-0^ERYTHROCYTES^LN|1|4.08|10*3/mm3^^UCUM|||F||20120530182101
```

2210 The following is sample message showing the results of a run, but the results are not considered technically valid. The Analyzer will perform additional runs.

```
MSH|...
PID|...
OBR|432156|85027^Hemogram and platelet count|...
ORC|SC|||IP|||20120530182101
OBX|1|NM|11156-7^LEUKOCYTES^LN|1|8.2|10*3/mm3^^UCUM|||R||20120530182101
OBX|2|NM|11273-0^ERYTHROCYTES^LN|1|4.08|10*3/mm3^^UCUM|||R||20120530182101
OBX|3|NM|20509-6^HEMOGLOBIN^LN|1|13.4|10*3/mm3^^UCUM|||R||20120530182101
OBX|4|NM|20570-8^HEMATOCRIT^LN|1|39.7|10*3/mm3^^UCUM|||R||20120530182101
```

The following is the subsequent message carrying the results of the technically valid run:

2215

```
MSH|...
```

IHE Pathology and Laboratory Medicine Technical Framework Supplement – Laboratory Analytical Workflow (LAW)

```
PID|...
OBR|432156|85027^Hemogram and platelet count|...
ORC|SC|||CM|||20120530184001
OBX|1|NM|11156-7^LEUKOCYTES^LN|2|8.9|10*3/mm3^^UCUM|||F|||20120530184001
OBX|2|NM|11273-0^ERYTHROCYTES^LN|2|4.9|10*3/mm3^^UCUM|||F|||20120530184001
OBX|3|NM|20509-6^HEMOGLOBIN^LN|2|13.9|10*3/mm3^^UCUM|||F|||20120530184001
OBX|4|NM|20570-8^HEMATOCRIT^LN|2|39.9|10*3/mm3^^UCUM|||F|||20120530184001
```

This message carries the results of two runs, with one run selected as technically valid by the Analyzer.

```
MSH|...
PID|...
OBR|123456|85027^Hemogram and platelet count|...
ORC|SC|||CM|||20120530182101
OBX|1|NM|20509-6^HEMOGLOBIN^LN|1|13.4|10*3/mm3^^UCUM|||R|||20120530182101
OBX|2|NM|20570-8^HEMATOCRIT^LN|1|39.7|10*3/mm3^^UCUM|||R|||20120530182101
OBX|3|NM|20509-6^HEMOGLOBIN^LN|2|13.9|10*3/mm3^^UCUM|||F|||20120530184001
OBX|4|NM|20570-8^HEMATOCRIT^LN|2|39.9|10*3/mm3^^UCUM|||F|||20120530184001
```

2220

This message carries the results of two runs, and the Analyzer considers all results to be technically valid.

```
MSH|...
PID|...
OBR|987654|85027^Hemogram and platelet count|...
ORC|SC|||CM|||20120530182101
OBX|1|NM|20509-6^HEMOGLOBIN^LN|1|13.4|10*3/mm3^^UCUM|||F|||20120530182101
OBX|2|NM|20570-8^HEMATOCRIT^LN|1|39.7|10*3/mm3^^UCUM|||F|||20120530182101
OBX|3|NM|20509-6^HEMOGLOBIN^LN|2|13.9|10*3/mm3^^UCUM|||F|||20120530184001
OBX|4|NM|20570-8^HEMATOCRIT^LN|2|39.9|10*3/mm3^^UCUM|||F|||20120530184001
```

2225

This message carries the results of two runs, the results have been grouped, and the Analyzer considers all results to be technically valid.

```
MSH|...
PID|...
OBR|432156|85027^Hemogram and platelet count|...
ORC|SC|||IP|||20120530182101
OBX|1|NM|11156-7^LEUKOCYTES^LN|1^1|8.2|10*3/mm3^^UCUM|||F|||20120530182101
OBX|2|NM|11273-0^ERYTHROCYTES^LN|1^1|4.08|10*3/mm3^^UCUM|||F|||20120530182101
OBX|3|NM|20509-6^HEMOGLOBIN^LN|1^2|13.4|10*3/mm3^^UCUM|||F|||20120530182101
OBX|4|NM|20570-8^HEMATOCRIT^LN|1^2|39.7|10*3/mm3^^UCUM|||F|||20120530182101
```

```

OBX|1|NM|11156-7^LEUKOCYTES^LN|2^1|8.9|10*3/mm3^^UCUM|||F|||20120530184001
OBX|2|NM|11273-0^ERYTHROCYTES^LN|2^1|4.9|10*3/mm3^^UCUM|||F|||20120530184001
OBX|3|NM|20509-6^HEMOGLOBIN^LN|2^2|13.9|10*3/mm3^^UCUM|||F|||20120530184001
OBX|4|NM|20570-8^HEMATOCRIT^LN|2^2|39.9|10*3/mm3^^UCUM|||F|||20120530184001
    
```

2230 The final example shows a subsequent message carrying the correction to the previously reported observations for AWOS 432156 from the example above. Note that only the values to be corrected are transmitted because each observation is uniquely identified by the values of OBX-3 and OBX-4. The message is interpreted as the values for run number two (specified by OBX-4) of the observations specified by each OBX-3 are to be corrected.

```

MSH|...
PID|...
OBR||432156||85027^Hemogram and platelet count|...
ORC|SC|||CM|||20120530184001
OBX|1|NM|11156-7^LEUKOCYTES^LN|2|8.5|10*3/mm3^^UCUM|||C|||20120530184001
OBX|2|NM|20509-6^HEMOGLOBIN^LN|2|13.5|10*3/mm3^^UCUM|||C|||20120530184001
    
```

2235

W.2.5.3.2 Sample Messages for Microbiology with Two Analyzers

2240 In the following example two Analyzers are used to perform the tests on an isolate. One is performing the microorganism identification, and the other one is performing the antibiotic susceptibility testing (AST). Both of them report their observations for the same isolate identified ISO123. The original blood specimen collected from the patient was identified 012345.

The AST AWOS (AW1) and the microorganism identification AWOS (AW2) have been ordered separately by the Analyzer Manager.

Results of the microorganism identification

2245

```

MSH|^~\&|VITEK-MS|MICRO-AREA|AM|MICRO-AREA|201307081558||OUL^R22^OUL_R22|...
PID|...
PV1||I|...
SPM|1|ISO123^AM1|012345|BLDV|...
2250 SAC|1||ISO123|012345
OBR|1|AW2||ID^microorganism identification panel^BMX|...
ORC|SC||REQ001|CM|||20130808112844|...
OBX|1|CE|11475-1^MICROORGANISM IDENTIFIED^LN|1|3092008^Staphylococcus aureus^SCT
||A|95.0||F|||20130708181136||PHYS1||Vitek-MS^bioMerieux^0000139C426D
2255 OBX|2|CE|564-5^COLONY COUNT^LN|1|MO^Moderate^99VitekMS||A||F|||20130708181136|...
    
```


Results of the antibiotic susceptibility testing

```

2260 MSH|^~\&|VITEK2|MICRO-AREA|AM|AM|201307081558||OUL^R22^OUL_R22|...
PID|...
PV1||I|...
SPM|1|ISO123^AM1|012345|BLDV|...
SAC|1||ISO123|012345
2265 OBR|1|AW1||ID^AST panel^BMX|...
ORC|SC||REQ001|CM|||20130808112844|...
OBX|1|NM|28-1^Ampicillin^LN|1|32|ug/mL^^UCUM||R||F||20130708181136|...
OBX|2|NM|20-8^Amoxicillin+Clavulanate^LN|1|2|ug/mL^^UCUM||S||F||20130708181136|...
OBX|3|NM|383-0^Oxacilline^LN|1|15|ug/mL^^UCUM||R||F||20130708181136|...
2270 OBX|4|NM|375-6^Ofloxacin^LN|1|8|ug/mL^^UCUM||R||F||20130708181136|...
...

```

W.2.5.4 Transmitting Supplemental Results

When transmitting **Supplemental Results**, LAW codes are provided as part of the identification information along with a vendor-specific code in OBX-3 Observation Identifier. The LAW code allows the Analyzer Manager to recognize the result as supplemental information. The processing of **Supplemental Results** is out of the scope of this profile. In order for the information to be processed, the Analyzer and Analyzer Manager vendors must agree on how the Analyzer Manager should interpret the information. The Analyzer Manager may choose to ignore any **Supplemental Result** it does not understand. See Section W.2.3 “Universal Service and Observation Identifier Vocabularies” for more details on the population of OBX-3.

The following is an example of how a hematology plot might be identified in OBX-3. The LAW code identifies the result as a supplemental graph, and the vendor code identifies the observation as a WBC plot. Once the Analyzer Manager identifies the results as a **Supplemental Result**, it is now free to process and render the information based on its knowledge of the vendor-specific information.

Table W.2.5.4-1: Example Plot Coding

Component/Sub-Component	Value	Comment
Identifier (ST)	HEMWBC	Vendor-defined code for WBC plot
Text (ST)	WBC_PARAMETERS	Vendor-defined name for WBC Plot
Name of Coding System (ID)	VENDOR	Vendor-defined coding system identifier
Alternate Identifier (ST)	S_GRAPH	LAW Code
Alternate Text (ST)	Supplemental Graph	LAW Name
Name of Alternate Coding System (ID)	IHELAW	IHE LAW

The following sections describe the type of **Supplemental Results** covered by this profile.

2290 **W.2.5.4.1 Image**

An image should be transmitted as encapsulated data, or a reference pointer to the image should be transmitted. The vendor-specific code in OBX-3 Observation Identifier should be used by the Analyzer Manager to understand how to interpret the image. The LAW code of “S_IMAGE” should be used in OBX-3.4 Alternate Identifier. See Section W.2.3 for additional details on populating OBX-3.

2295

- For small and medium sized images, use the HL7 "Encapsulated Data (ED)" data type with MIME content for OBX-2. The graphic may be of reduced resolution, e.g., a thumbnail to reduce the transmission throughput and storage requirements.
- For large images, use the HL7 "Reference Pointer (RP)" data type for OBX-2. It is suggested that a Uniform Resource Identifier (URI) for an HTTP(S) or FTP(S) anonymous access be used. The receiver should only have read access, and the sender is responsible for the file management (e.g., deletion after 24 hours or any other defined retention time).

2300

2305 An image may be associated with a single **Observation Result**, or it may be associated with multiple **Observation Results**. Therefore, OBX-8, OBX-11, OBX-16, OBX-18, and OBX-19 should be populated in a manner that is consistent with the **Observation Result(s)** it represents.

W.2.5.4.2 Graphs

2310 A graph could be transmitted as an array of points to plot, encapsulated data, or even structured text. For example, the HL7 "Numeric Array (NA)" data type may be used to send a series of values representing coordinates of individual points of the graphic. The NA data type may represent multidimensional arrays, e.g., X-Y or X-Y-Z plots. The vendor-specific code in OBX-3 Observation Identifier should be used by the Analyzer Manager to understand how to interpret the graph points. The LAW code of “S_GRAPH” should be used in OBX-3.4 Alternate Identifier. See Section W.2.3 for additional details on populating OBX-3.

2315

A graph may be associated with a single **Observation Result**, or it may be associated with multiple **Observation Results**. Therefore, OBX-8, OBX-11, OBX-16, OBX-18, and OBX-19 should be populated in a manner that is consistent with the **Observation Result(s)** it represents.

W.2.5.4.3 Raw Values

2320 The “raw values” associated with an **Observation Result** are the measurement values used to calculate the “cooked value”, e.g., photometer absorbance values for various wave lengths used for calculation of the concentration based on a calibration curve. The vendor-specific code in OBX-3 Observation Identifier should be used by the Analyzer Manager to understand how to interpret the raw values. The LAW code of “S_RAW” should be used in OBX-3.4 Alternate Identifier. See Section W.2.3 for additional details on populating OBX-3.

- 2325 When transmitting “raw values”, the Analyzer sends OBX segment(s) that follow the OBX segment containing the “cooked” value. The raw values are associated with the cooked values, so the OBX segments have the same values for OBX-8, OBX-11, OBX-16, OBX-18, and OBX-19. Raw values can be sent as a single raw value, a series of values/series of vectors, or structured text with similar semantics.
- 2330
- For a single raw value, use the HL7 "Numeric (NM)" data type for OBX-2.
 - For a series of values / series of vectors of values, use the HL7 "Numeric Array (NA)" data type for OBX-2 so that the values can be transmitted using multidimensional arrays.
 - For structured text, use the HL7 “String (ST)” or “Text Data (TX)” data type for OBX-2 to send structured representations such as XML or JSON (see XML examples below).
- 2335 Using notations such as these instead of HL7 delimiters permits explicit description of the structure and avoids the “unintended” introduction of new data types potentially leading to conformance problems. Text needing to use any of the encoding characters defined in MSH-2 Encoding Characters must use HL7 escape sequences as defined in HL7 v2.5.1: chapter 2 (2.7.1 Formatting Codes).
- 2340 The following examples show how to use multidimensional arrays or structured text (XML) to send raw values. Please note that the structured text examples have been formatted for ease of reading. Extra whites space, include new lines, would not be in the transmitted text.

Table W.2.5.4.3-1: Examples of Raw Values

Raw value example	XML notation (OBX-2 = ST or TX)	Delimiter notation (OBX-2 = NA)
Structure raw value: Calibrator – Linear Curve Parameters	<pre><DataTable Description="Linear CurveParameters"> <tr pos="1" Description="Absorbance 1"> <td pos="1">0.3456</td> </tr> <tr pos="2" Description="K Factor"> <td pos="1">1.6543</td> </tr> </DataTable></pre>	0.3456^1.6543
Data Series raw value: Signal data	<pre><DataTable Description="Raw data" > <tr Description="RawResult 1 - WaveLength 340" pos="1"> <td pos="1">0.1</td> <td pos="2">0.2</td> <td pos="3">0.3</td> <td pos="4">0.4</td> <td pos="5">0.1</td> <td pos="6">0.1</td></pre>	<u>0.1^0.2^0.3^0.4^0.1^0.1</u> <u>1^0.1^0.1</u> <u>~0.1^0.2^0.3^0.4^0.1^</u> <u>0.1^0.1^0.1</u> <u>~0.1^0.2^0.3^0.4^0.1^</u> <u>0.1^0.1^0.1</u> <u>~0.1^0.2^0.3^0.4^0.1^</u> <u>0.1^0.1^0.1</u> <u>~0.1^0.2^0.3^0.4^0.1^</u> <u>0.1^0.1^0.1</u>

Raw value example	XML notation (OBX-2 = ST or TX)	Delimiter notation (OBX-2 = NA)
	<pre> <td pos="7">0.1</td> <td pos="8">0.1</td> </tr> <tr Description="RawResult 1 - WaveLength 376" pos="2"> <td pos="1">0.1</td> <td pos="2">0.2</td> <td pos="3">0.3</td> <td pos="4">0.4</td> <td pos="5">0.1</td> <td pos="6">0.1</td> <td pos="7">0.1</td> <td pos="8">0.1</td> </tr> <tr Description="RawResult 1 - WaveLength 800" pos="12"> <td pos="1">0.1</td> <td pos="2">0.2</td> <td pos="3">0.3</td> <td pos="4">0.4</td> <td pos="5">0.1</td> <td pos="6">0.1</td> <td pos="7">0.1</td> <td pos="8">0.1</td> </tr> <tr Description="RawResult 2 - WaveLength 340" pos="13"> <td pos="1">0.1</td> <td pos="2">0.2</td> <td pos="3">0.3</td> <td pos="4">0.4</td> <td pos="5">0.1</td> <td pos="6">0.1</td> <td pos="7">0.1</td> <td pos="8">0.1</td> </tr> <tr Description="RawResult 2 - WaveLength 376" pos="14"> <td pos="1">0.1</td> <td pos="2">0.2</td> <td pos="3">0.3</td> </pre>	<pre> ~0.1^0.2^0.3^0.4^0.1^ 0.1^0.1^0.1 </pre>

Raw value example	XML notation (OBX-2 = ST or TX)	Delimiter notation (OBX-2 = NA)
	<pre> <td pos="4">0.4</td> <td pos="5">0.1</td> <td pos="6">0.1</td> <td pos="7">0.1</td> <td pos="8">0.1</td> </tr> <tr Description="RawResult 2 - WaveLength 800" pos="24"> <td pos="1">0.1</td> <td pos="2">0.2</td> <td pos="3">0.3</td> <td pos="4">0.4</td> <td pos="5">0.1</td> <td pos="6">0.1</td> <td pos="7">0.1</td> <td pos="8">0.1</td> </tr> </DataTable> </pre>	

2345

W.2.5.4.4 Vendor Specific Supplemental Results

For vendor-specific **Supplemental Results** not addressed by this profile, any allowable HL7 data type for OBX-2 may be used. A vendor-specific code in OBX-3 Observation Identifier should be populated with a vendor-specific code, and the LAW code of “S_OTHER” should be used to populate OBX-3.4 Alternate Identifier. In order for the Analyzer Manager to process this type of result, the Analyzer will need to provide the Analyzer Manager vendor with additional details about the result. See Section W.2.3 for additional details on populating OBX-3.

2350

W.2.5.5 Retransmitting Results

The usage of the OBR and OBX segments and fields allow an Analyzer Manager to identify results that have been retransmitted. For results associated with orders generated by the Analyzer Manager, the OBR-2 Placer Order Number (contains the AWOS ID), OBR-4 Universal Service Identifier (requested order), OBX-3 Observation Identifier (result identifier), and OBX-4 Observation Sub-ID (run number) fields can be used to clearly identify a result that has already been received. For results associated with orders generated at the Analyzer, no AWOS ID is provided in OBR-2 but additional fields such as SAC-3 Container Identifier (sample identification) and ORC-8 Parent (parent AWOS IDs for a reflex) can also be used. See Section X.2.6 Retransmit Results for more details about why results may be retransmitted and expected Analyzer Manager behavior.

2355

2360

W.2.5.6 Observation Result Stored Externally

2365 An AWOS may create large volume results that are not appropriate for return through the OUL message, e.g., whole slide images, genetic sequencing results, or flow cytometry list mode data. This data may be stored by the Analyzer in a separate or specialized storage system that provides temporary or persistent data access for follow-on AWOS or other applications.

2370 As the primary **Observation Result**, the OBX segment will use the RP Data Type to encode a pointer to the stored results.

The Analyzer indicates whether the results are stored in a persistent repository by setting the OBR-49 value to “RE” (see Section W.3.5). If OBR-49 is absent, or does not have the value “RE”, the storage is temporary, and it is the responsibility of the Analyzer Manager to access the results prior to the expiration of the locally-defined retention time.

2375 If the storage is temporary, it is suggested that a Uniform Resource Identifier (URI) for an HTTP(S) or FTP(S) anonymous access be used in the OBX-5; the connection may use node authentication in accordance with the IHE IT Infrastructure Audit Trail and Node Authentication Profile.

2380 In addition to the primary **Observation Result**, the message may include **Supplemental Results**, including thumbnail images or graphical representations, in accordance with Section W.2.5.4.

W.2.6 Reflex Initiated at the Analyzer

2385 A reflex is a test ordered based on the evaluation of one or more observation results for one or more AWOS (see Section X.2.5 “Reflex”). If the Analyzer decides a reflex is necessary, then details about the reflex must be transmitted to the Analyzer Manager. The following segment fields are used to provide information about the reflex observation result.

- OBR-2 Placer Order Number is set to NULL (“”) because the reflex is initiated at the Analyzer and thus the AWOS ID does not exist.
- OBR-11 Specimen Action Code is set to “G”, to indicate the observation is a reflex test. This is the only situation where field OBR-11 is used in the LAW Profile.
- ORC-8 Parent carries the parent-child relationship between the reflex and the parent AWOS(s). The field is repeatable and is populated with the parent AWOS ID(s).

2395 To determine if a reflex is needed, Analyzers may use the ORC-4 Placer Group Number in LAB-28 AWOS Broadcast to identify Work Order related (parent) AWOSs to evaluate. In the LAB-29 AWOS Status message containing the reflex observation, these Analyzers may also populate ORC-4 to clearly identify that the reflex is related to the Work Order.

W.2.7 Message Identification and Acknowledgement

The connection between the Analyzer and Analyzer Manager is assumed to be a simple point-to-point connection with no routing applications managing the messages between the two systems.

2400 Therefore, the MSH-3 through MSH-6 fields are considered laboratory specific values, and their usefulness will vary from laboratory to laboratory. The Analyzer and Analyzer manager should provide the capability for the laboratory to define values for these fields. When constructing a triggered message, the sending application will use the laboratory-defined values. If no values are configured then the field will be empty..

2405

Table W.2.7-1: MSH-3 to MSH-6 Population for Triggered Message

Field	Value
MSH-3 Sending Application (HD)	Laboratory defined value
MSH-4 Sending Facility (HD)	Laboratory defined value
MSH-5 Receiving Application (HD)	Laboratory defined value
MSH-6 Receiving Facility (HD)	Laboratory defined value

2410 When generating an acknowledgement message, the sending application will use the values provided in the in-bound message. A receiving actor will not check the inbound values against the configured values. The configured values are only used to populate outbound messages.

Table W.2.7-2: MSH-3 to MSH-6 Population for Acknowledgement Message

Field	Value
MSH-3 Sending Application (HD)	MSH-5 from triggered message
MSH-4 Sending Facility (HD)	MSH-6 from triggered message
MSH-5 Receiving Application (HD)	MSH-3 from triggered message
MSH-6 Receiving Facility (HD)	MSH-4 from triggered message

2415 The sending application shall populate field MSH-15 with value "NE" and field MSH-16 with value "AL", thus instructing the receiving application to send an "application acknowledgement" (message specific or general) in all cases (communication error, unavailability of the safe storage for the message, application acceptance of the message, etc.). In that way, the desired behavior of the receiving application is the same as in the original acknowledgement mode.

2420 As stated by ITI TF-2x:C.2.3 “Acknowledgement Modes”, a receiving application will send back an application acknowledgement with MSA-1 valued to one of the following codes:

- AA: The message has been accepted and integrated.
- AE: Application error. A message error occurs when malformed HL7 messages are received. Examples include missing or out of order segments, incorrect data types, or unsupported table values. It shall not be sent again without correcting the error.

- 2425
- AR: Application rejection. The message has been rejected by the receiving application due to an invalid MSH segment or inconsistent message content. It shall not be sent again without correcting the content.

Implementers of this profile SHALL read ITI TF-2x:C.2 "HL7 Implementation Notes", and particularly sub-section C.2.3 to check the behavior rules for acknowledgement, and the rules to build the acknowledgement message and its MSH, MSA and ERR segments, in error situations.

2430

See Section W.3.4 "MSH Segment" for additional details on the usage of the fields in the MSH segment.

W.2.8 MLLP Connections

This profile requires the use of the network connections defined in PaLM TF-2a:2.4.5 IHE PaLM Technical Framework Acknowledgement Policies. As described in the section, two network connections are required to implement communication supporting trigger events for both actors. Therefore, two network connections are required to implement bi-directional communication supporting AWOS Transfer (see PaLM TF-1: X.4 Actors/Transactions and X.5 LAW Integration Profile Options for more details about the transactions and option). One network connection will support the *LAB-27 Query for AWOS* and *Lab-29 AWOS Status Change* transactions from the Analyzer, while the other network connection will support the *LAB-28 AWOS Broadcast* transaction from the Analyzer Manager.

2435

2440

In addition, it is up to the sending application to decide if a persistent or short short-lived network connection will be used. An actor application is allowed to open a network connection, send a transaction, receive an acknowledgement, and then close the connection. When using a short-lived connection, an actor application does not establish a connection with the other actor application until it has a transaction to send. Therefore, an application shall not assume all network connections will be established prior to sending messages. An application should listen for an inbound connection, and then either establish the outbound connection immediately if a persistent outbound connection will be used or wait until it has a message to send if short-lived outbound connections will be used. Finally, an application using persistent outbound connection must handle cases where the connection is closed by the receiving application, as discussed in the ITI TF-2x:C.2.1.

2445

2450

As an example, consider the scenario where an Analyzer and Analyzer Manager exchange LAB-27, LAB-28, and LAB-29 transactions and short-lived network connections are used by the applications. Both the Analyzer and Analyzer Manager applications shall listen for inbound connections upon application startup. When a specimen container arrives at the Analyzer it will open an outbound network connection to the Analyzer Manager, send the *Query for AWOS*, receive the message acknowledgement from the Analyzer Manager on the same connection, and close the connection. After some period of time, the Analyzer Manager will open an outbound network connection to the Analyzer, send the *AWOS Broadcast*, receive the message acknowledgement, and close the connection. Finally, once the observation results are available

2455

2460

the Analyzer will open another outbound network connection, send the *AWOS Status Change*, receive the message acknowledgement, and close the connection.

- 2465 The same behavior can be implemented by either actor application using persistent network connections as well. An application using persistent connection establishes the outbound network connection at application startup, does not close the connection after sending a message, and monitors the connection in case it is closed.

W.2.9 Error Handling

- 2470 The LAW Profile uses Application Acknowledgements to address message and application level errors that occur when messages are exchanged between the Analyzer and Analyzer Manager. The HL7 Enhanced Acknowledgment Mode allows a receiving application to not accept a message because the message contains an error or to reject the contents of the message for processing. In addition, the ORL^O34 Laboratory Order Response supports accepting and rejecting individual AWOS Requests, while the RSP^K11 Query Response supports accepting or rejecting a query request. The use of these mechanisms by the LAW Profile is discussed below.

- 2475 The only guidance provided on application behavior when a message error is detected, a message is rejected, or request is rejected is the receiving application will capture the situation in a log and/or notify the user in some manner. In addition, it is also expected that the application will support connection/message recovery logic through the use of retries, user intervention, etc.
- 2480 when appropriate.

W.2.9.1 Receive a Malformed Message

A message error occurs when malformed HL7 messages are received. Examples include missing or out of order segments, incorrect data types, or unsupported table values.

- 2485 If a receiving application detects an error in a trigger message, an **Application Acknowledgement: Error** is reported in the acknowledgement response by setting MSA-1 to "AE". The application will report the location(s) causing the error in the ERR segment.

If an error is detected in an Application Acknowledgement message, the receiving application shall ignore the acknowledgement and assume the transaction has failed.

2490 W.2.9.2 Receive a Message with Incorrect Message Control Content

- 2495 The HL7 uses message control information in the exchanged messages. See HL7 v2.5.1: chapter 2, Section 2.9 for additional details. Examples of an invalid content include an unsupported MSH-9 Message Type, MSH-12 Version ID, or MSH-21 Message Profile Identifier. Another example would be the receipt of an acknowledgement and MSA-2 does not match the value of MSH-10 from the originating trigger message.

If a receiving application detects invalid message control content in a trigger message, an **Application Acknowledgement: Reject** is reported by setting MSA-1 to "AR". The application will report the location(s) causing the message to be rejected in the ERR segment.

2500 If a receiving application detects invalid message control content in an Application Acknowledgement, it shall ignore the acknowledgement and assume the transaction has failed.

W.2.9.3 Reject an AWOS Request

2505 After receiving an AWOS Broadcast message containing several AWOS requests, an Analyzer might reject an individual AWOS Request. The Analyzer may not be able to support the specific request temporarily due to inventory configuration, or permanently because it is not a request (test) the Analyzer can perform. These situations may occur as part of the normal laboratory workflow, although they should occur infrequently.

In addition, an AWOS Broadcast message may contain inconsistent information such as:

- A request using an unsupported specimen type
- a request to cancel an unknown AWOS ID
- 2510 • the receipt of an AWOS ID that has already been used

Although these situations indicate possible defects in the Analyzer Manager, these AWOS Requests will also be individually accepted or rejected so that valid requests may be processed.

2515 The ORL^O34 Laboratory Order Response will be used to individually accept/reject AWOS Requests. MSA-1 will be set to **Application Acknowledgement: Accept** to indicate the OML^O33 message was accepted. The ORC-1 Order Control field will be used by the Analyzer to indicate if each AWOS Request has been accepted or rejected.

W.2.9.4 Receive a Negative Query Response for an Unknown Query

2520 An AWOS Broadcast message containing a Negative Query Response for an unrecognized specimen is considered an unexpected situation. This situation indicates defects in the Analyzer Manager software, so the entire message will be rejected. For more details see Section R.5.3 Expected Actions.

The ORL^O34 Laboratory Order Response will be used to report an **Application Acknowledgement: Reject** by setting MSA-1 to "AR". The application will report the specimen information causing the message to be rejected in the ERR segment.

W.2.9.5 Receive an AWOS Request Acknowledgement with Inconsistent Content

An example is a response for an AWOS ID that was not in the AWOS Request.

If the Analyzer Manager detects inconsistent data in an ORL^O34 Laboratory Order Response, the Analyzer Manager will ignore the acknowledgement and assume the transaction has failed.

W.2.9.6 Receive an AWOS Status Change with Inconsistent Content

2530 The Analyzer Manager must check that the AWOS Status Change content is consistent. For example, the values in the SPM, SAC, and OBR segments should be consistent with an OML^O33 message the caused the OUL^R22 message to be sent. If the OBR-4 Universal

2535 Service ID in OUL^R22 does not match the value sent in OML^O33, then the Status Change message should be rejected. Another example is if the AWOS ID in the OUL^R22 message is not known by the Analyzer Manager. These are unexpected situations that should not occur as part of the normal laboratory workflow.

2540 The General Acknowledgement response for the OUL^R22 message does not support accepting or rejecting individual AWOS status changes, so the entire message must be rejected. Therefore, if the Analyzer Manager detects an OUL^R22 with inconsistent content, the Analyzer Manager shall report an **Application Acknowledgement: Reject** by setting MSA-1 to "AR". The Analyzer Manager will report the inconsistent location(s) in the ERR segment.

W.2.9.7 Reject A Query

2545 Although very unlikely, it may be necessary for an Analyzer Manager to reject a query. For reasons other than a message error (covered above) or message rejection due to invalid message header (covered above), the Analyzer Manager will make use of the QAK-2 Query Response Status to indicate the query is rejected or an error occurred when processing the request.

W.2.9.8 Receive a Query Acknowledgement with Inconsistent Content

2550 If the Analyzer Manager detects inconsistent data in an RSP^K11 AWOS Query Acknowledgment, the Analyzer Manager will ignore the acknowledgement and assume the transaction has failed.

Examples include the values in QAK-1 and QPD-2 do not match, or the value in the received QAK-1 does not match the value sent in QPD-2 of the QBP^Q11 message.

W.2.9.9 Management of Patient Data

The Analyzer Manager is considered the source of truth for all patient data.

2555 If an Analyzer receives a LAB-28 AWOS Broadcast message containing inconsistent patient data for a known patient based on the identifier in PID-3 Patient Identifier List, then it must assume that the Analyzer Manager has updated the patient information and it should update its local copy. The Analyzer may want to notify the operator that the patient data has been updated.

2560 The Analyzer Manager may not retransmit an AWOS request to correct patient data because the Analyzer will individually reject an AWOS request that uses a previously seen AWOS ID (see Section W.2.9.3 Reject an AWOS Request). When the Analyzer Manager needs to correct patient data associated with AWOS request, the Analyzer Manager must cancel the original AWOS request and send the Analyzer a new AWOS request with the correct patient data.

2565 If an Analyzer Manager receives a LAB-29 AWOS Status Update message containing inconsistent patient data for the AWOS, it should ignore the information sent by the Analyzer. The Analyzer Manager may want to notify the operator that inconsistent patient data has been received from the Analyzer.

W.2.9.10 Receive Unknown Message Content

2570 Data may be received that is not even in the form of an HL7 message. For example, if significant communication errors have occurred the entire message may be garbled. Or, possibly a connection was made to a non-HL7 peer. In an extreme case, it may be that a malicious peer is attempting to comprise the receiver. In this instance, the receiving system should ignore the transmission and manage the receipt of the data in a manner that does not comprise the application (e.g., causes an internal software buffer over run).

2575 **W.2.10 Ordering multiple replicates of the same battery or test**

The LAW Profile intentionally supports only one approach of ordering a particular number of runs for a given battery or test — the Analyzer Manager shall submit an individual AWOS for each run. From the Analyzer’s point of view, all those orders are independent from each other; the Analyzer Manager may consider grouping them explicitly using ORC-4 “Placer Group Number”.

2580 As opposed to specifying the number of runs as a parameter of a single common test order, submitting multiple orders provides higher flexibility and control. In particular, each such order (AWOS) can be individually accepted, rejected, or cancelled, can have its own state, preliminary and supplemental results, human-readable comments, etc.

2585 Moreover, the presence of only one unified approach for ordering test runs simplifies the development of both Analyzer and Analyzer Manager Actors.

W.3 LAW Segments

2590 The following segment definitions supersede the common segment definitions from PaLM TF-2a:3. Cardinality and usages are defined to clarify differences when segments are sent by the Analyzer Manager versus the Analyzer.

W.3.1 ERR Segment

HL7 v2.5.1: chapter 2 (2.15.5 ERR - Error Segment).

2595 The ERR segment is used to add error information to acknowledgment messages. This segment is sent only when the accompanying MSA segment, MSA-1 acknowledgement code is ‘AR’ or ‘AE’. See ITI TF-2x:C.2.3.2 for additional information.

Table W.3.1-1: ERR Segment

SEQ	LE N	DT	Usage AM	Usage Analyzer	Card.	TBL #	ITEM#	Element name
2	18	ERL	RE	RE	[0..*]		01812	Error Location
3	705	CWE	M	M	[1..1]	0357	01813	HL7 Error Code
4	2	ID	M	M	[1..1]	0516	01814	Severity
5	705	CWE	RE	RE.AN	[0..1]		01815	Application Error

SEQ	LE N	DT	Usage AM	Usage Analyzer	Card.	TBL #	ITEM#	Element name
								Code
8	250#	TX	RE	RE.AN	[0..1]		01818	User Message

ERR-2 Error Location (ERL), required if available.

2600 Identifies the location in a message related to the detected error. If multiple repetitions are present, the error results from the values in a combination of places.

The field should be provided when the error is directly related to a particular HL7 segment, field, component, or sub-component. Examples include:

- a missing value
- a wrong value
- a value which references an unknown entity (e.g., unknown patient ID)
- a value with the wrong cardinality
- a value which is not consistent with other message elements or transaction invariants work value

2610

Table W.3.1-2: Element ERR-2 Error Location

Component/Sub-Component	Usage	LEN	Comment
Segment ID (ST)	R	3	
Segment Sequence (NM)	R	2	
Field Position (NM)	RE	2	
Field Repetition (NM)	RE	2	
Component Number (NM)	RE	2	
Sub-Component Number (NM)	RE	2	

2615 The deeper the source of the error is (segment, field, component, sub-component), the more optional components in ERR-2 will need to be populated to precisely identify it. See HL7 v.2.5.1 Section 2.A.1.28 for further explanations.

ERR-3 HL7 Error Code (CWE), mandatory.

Identifies the HL7 (communications) error code. The first component (Identifier) is supported and shall contain a code from the following subset of codes in HL7 Table 0357.

2620

Table W.3.1-3: Subset of HL7 Table 0357 – Message error condition codes

Value	Description	Comment
100	Segment sequence error	Error: The message segments were not in the proper order, or required segments are missing.
101	Required field missing	Error: A required field is missing from a segment
102	Data type error	Error: The field contained data of the wrong data type, e.g., an NM field contained "FOO".
103	Table value not found	Error: A field of data type ID or IS was compared against the corresponding table, and no match was found.
200	Unsupported message type	Rejection: The Message Type is not supported.
201	Unsupported event code	Rejection: The Event Code is not supported.
202	Unsupported processing id	Rejection: The Processing ID is not supported.
203	Unsupported version id	Rejection: The Version ID is not supported.
207	Application internal error	Rejection: A catchall for internal errors not explicitly covered by other codes.

Table W.3.1-4: Element ERR-3 HL7 Error Code

Component/Sub-Component	Usage	LEN	Comment
Identifier (ST)	R	20	A code from the "Value" column of the Table W.3.1-3
Text (ST)	RE	199	Text from the "Description" column of the Table W.3.1-3
Name of Coding System (ID)	R	7	Fixed "HL70357"

2625 **ERR-4 Severity (ID)**, mandatory.

This field identifies the severity of an application error. Knowing if something is Error, Warning or Information is intrinsic to how an application handles the content. This profile supports only the following subset of codes from the HL7 Table 0516.

Table W.3.1-5: Subset of HL7 Table 0516 – Error severity

Value	Description	Comment
E	Error	Transaction was unsuccessful

2630

ERR-5 Application Error Code (CWE), required if available (Analyzer Manager), required if available from analyzer (Analyzer).

This field contains a vendor-defined code identifying the specific error that occurred.

2635

Table W.3.1-6: Element ERR-5 Application Error Code (CWE)

Component/Sub-Component	Usage	LEN	Comment
Identifier (ST)	R	20	Vendor-defined code
Text (ST)	O	199	Vendor-defined description
Name of Coding System (ID)	R	12	“99zzz” for a vendor-defined coding system (where z is an alphanumeric character)

ERR-8 User Message (TX), required if available (Analyzer Manager), required if available from analyzer (Analyzer).

This field contains a vendor-defined text message that can be displayed to the application user.

2640

W.3.2 INV Segment

HL7 v2.5.1: chapter 13 (13.4.4 INV- Inventory Detail Segment).

The INV segment is used to:

- Identify control material when QC results are transmitted
- Identify contributing substances (e.g., reagents) that were used to produce a result

2645

Table W.3.2-1: INV Segment

SEQ	LEN	DT	Usage Analyzer	Card.	TBL#	ITEM#	Element name
1	250	CE	R	[1..1]	0451	01372	Substance Identifier
2	250	CE	R	[1..1]	0383	01373	Substance Status
3	250	CE	R	[1..1]	0384	01374	Substance Type
4	250	CE	RE.AN	[0..1]		01532	Inventory Container Identifier
16	200	ST	RE.AN	[0..1]		01387	Manufacturer Lot Number

INV-1 Substance Identifier (CE), required.

This is the manufacturer-specific identifier for the substance.

2650

Table W.3.2-2: INV-1 Substance Identifier

Component/Sub-Component	Usage	LEN	Comment
Identifier (ST)	R	20	Substance identifier code from HL7 Table 0451 or vendor-defined coding system

Component/Sub-Component	Usage	LEN	Comment
Text (ST)	O	199	Description of the substance identifier
Name of Coding System (ID)	R	7	Fixed “HL70451” or “99zzz” for a vendor-defined coding system (where z is an alphanumeric character)

INV-2 Substance Status (CE), required.

2655 This field contains the status of the substance, and is populated with values from HL7 Table 0383.

Table W.3.2-3: Element INV-2 Substance Status

Component/Sub-Component	Usage	LEN	Comment
Identifier (ST)	R	20	Substance status code from HL7 Table 0383 or vendor-defined coding system
Text (ST)	O	199	Description of the substance status
Name of Coding System (ID)	R	7	Fixed “HL70383” or “99zzz” for a vendor-defined coding system (where z is an alphanumeric character)

2660 In many cases the status is not applicable, as the intent of the segment in the LAB-29 transaction is only to identify the substance, so HL7 Table 0383 is extended by this profile as shown below. The table may also be extended with vendor-defined values.

Table W.3.2-4: LAW Extensions to HL7 Table 0383 – Substance Status

Value	Description	Comment
NA	Not Applicable	Value added by the LAW Profile

2665 **INV-3 Substance Type (CE), required.**

This field contains a value from HL7 Table 0384 that identifies the substance.

Table W.3.2-5: Element INV-3 Substance Type

Component/Sub-Component	Usage	LEN	Comment
-------------------------	-------	-----	---------

Component/Sub-Component	Usage	LEN	Comment
Identifier (ST)	R	20	Type of substance (e.g., Control, Reagent, Bulk Supply, Waste) code from HL7 Table 0384 or vendor-defined coding system
Text (ST)	O	199	Description of the substance type
Name of Coding System (ID)	R	7	Fixed “HL70384” or “99zzz” for a vendor-defined coding system (where z is an alphanumeric character)

2670 When used to identify control material, the field shall be populated with “CO”. All values from HL7 Table 0384 as well as vendor-defined extensions are allowed when the segment is being used to identify contributing substances (e.g., reagents).

INV-4 Inventory Container Identifier (CE), required if available from analyzer (Analyzer).

2675 This field identifies the inventory container, e.g., unique serial number, of a specific package instance of a specific substance. This is a manufacturer-specific identifier.

Table W.3.2-6: Element INV-4 Inventory Container Identifier

Component/Sub-Component	Usage	LEN	Comment
Identifier (ST)	R	20	Substance serial number
Text (ST)	O	199	Description of the container identifier
Name of Coding System (ID)	R	5	Vendor-defined coding system name “99zzz” (where z is an alphanumeric character)

2680 **INV-16 Manufacturer Lot Number (ST)**, required if available from analyzer (Analyzer).

This is the manufacturer-specific lot number of the substance.

W.3.3 MSA Segment

HL7 v2.5.1: chapter 2 (2.15.8 MSA – Message Acknowledgment Segment).

The MSA segment contains information sent while acknowledging another message.

2685

Table W.3.3-1: MSA Segment

SEQ	LEN	DT	Usage	Card.	TBL #	ITEM#	Element name
-----	-----	----	-------	-------	-------	-------	--------------

SEQ	LEN	DT	Usage	Card.	TBL #	ITEM#	Element name
1	2	ID	M	[1..1]	0008	00018	Acknowledgement Code
2	50	ST	M	[1..1]		00010	Message Control Id

MSA-1 Acknowledgment Code (ID), mandatory.

2690 This element contains the acknowledgment code, per the HL7 message processing rules. The following subset of codes from HL7 Table 0008 is supported.

Table W.3.3-2: Subset of HL7 Table 0008 – Acknowledgement Code

Value	Description	Comment
AA	Original mode: Application Accept	Message processed and accepted
AE	Original mode: Application Error	Message processed and was rejected because the message was malformed (e.g., missing segments, unsupported table values)
AR	Original mode: Application Reject	Message rejected due to incorrect message control content or inconsistent message content

Note: The accompanying ERR segment to the MSA segment in the acknowledgement message will indicate the location of the error.

2695

MSA-2 Message Control Id (ST), mandatory.

This field contains the value in MSH-10 Message Control ID from the message being acknowledged.

2700

Note on Element Length: The maximum element length for MSA-2 has been extended to 50 characters from the HL7-prescribed length of 20 characters. This extension allows sending systems to use globally unique identifiers (such as GUIDs) for Message IDs.

W.3.4 MSH Segment

2705

HL7 v2.5.1: chapter 2 (2.15.9 MSH – Message Segment Header).

The MSH segment defines the intent, source, destination, and some specifics of the syntax of a message.

Table W.3.4-1: MSH Segment

SEQ	LEN	DT	Usage	Card.	TBL#	ITEM#	Element name
1	1	SI	M	[1..1]		00001	Field Separator
2	4	ST	M	[1..1]		00002	Encoding Characters

SEQ	LEN	DT	Usage	Card.	TBL#	ITEM#	Element name
3	227	HD	RE	[0..1]		00003	Sending Application
4	227	HD	RE	[0..1]		00004	Sending Facility
5	227	HD	RE	[0..1]		00005	Receiving Application
6	227	HD	RE	[0..1]		00006	Receiving Facility
7	26	TS	M	[1..1]		00007	Date/Time of Message
9	15	MSG	M	[1..1]		00009	Message Type
10	50	ST	M	[1..1]		00010	Message Control Id
11	3	PT	M	[1..1]		00011	Processing Id
12	60	VID	M	[1..1]		00012	Version ID
15	2	ID	C (M/X)	[0..1]	0155	00015	Accept Acknowledgement Type
16	2	ID	C (M/X)	[0..1]	0155	00016	Application Acknowledgement Type
18	16	ID	M	[1..1]	0211	00692	Character Set
21	427	EI	M	[1..*]	01598	01598	Message Profile Identifier

2710

MSH-1 Field Separator (SI), mandatory.

This profile requires the HL7-recommended value of ‘|’ (ASCII 124).

MSH-2 Encoding Characters (ST), mandatory.

2715 This field must contain the four characters in the following order: the component separator, repetition separator, escape character, and subcomponent separator. This profile requires the HL7-recommended values:

- Component Separator: ‘^’ (ASCII 94)
- Repetition Separator: ‘~’ (ASCII 126)
- Escape Separator: ‘\’ (ASCII 92)
- Subcomponent Separator: ‘&’ (ASCII 38)

2720

MSH-3 Sending Application (HD), required if available.

2725 This field contains the laboratory-defined name of the sending application. See Section W.2.7 Message Identification and Acknowledgement for additional information.

Table W.3.4-2: Element MSH-3 Sending Application (HD)

Component/Sub-Component	LEN	Usage	Contents
namespace ID (IS)	20	R	See Section 2.7

MSH-4 Sending Facility (HD), required if available.

2730 This field contains the laboratory-defined name of the sending facility. See Section W.2.7 Message Identification and Acknowledgement for additional information.

Table W.3.4-3: Element MSH-4 Sending Facility (HD)

Component/Sub-Component	LEN	Usage	Contents
namespace ID (IS)	20	R	See Section 2.7

MSH-5 Receiving Application (HD), required if available.

2735 This field contains the laboratory-defined name of the receiving application. See Section W.2.7 Message Identification and Acknowledgement for additional information.

Table W.3.4-4: Element MSH-5 Receiving Application (HD)

Component/Sub-Component	LEN	Usage	Contents
namespace ID (IS)	20	R	See Section 2.7

2740 **MSH-6 Receiving Facility (HD)**, required if available.

This field contains the laboratory-defined name of the receiving facility. See Section W.2.7 Message Identification and Acknowledgement for additional information.

Table W.3.4-5: Element MSH-6 Receiving Facility (HD)

Component/Sub-Component	LEN	Usage	Contents
namespace ID (IS)	20	RE	See Section 2.7

2745 **MSH-7 Date/Time of Message (TS)**, mandatory.

2750 This field contains the date/time that the sending system created the message. This element shall be reported to a precision of seconds. This is the only date/time field in the message mandating the time zone. All other time stamps in the message do not support a specific time zone and are assumed to be in the same time zone as specified in this MSH-7 element.

Table W.3.4-6: Element MSH-7 Date/Time of Message (TS)

Component/Sub-Component	Usage	LEN	Comment
YYYYMMDDHHMMSS+/-ZZZZ	R	19	Time zone is used for all other time stamps in the message

MSH-9 Message Type (MSG), mandatory.

This field contains the message type, trigger event, and the message structure ID for the message.

2755

Table W.3.4-7: Element MSH-9 Message Type

Component/Sub-Component	Usage	Comment
Message Code (ID)	R	
Trigger Event (ID)	R	
Message Structure (ID)	R	

MSH-10 Message Control Id (ST), mandatory.

This field contains a number or other identifier that uniquely identifies the message. Each message should be given a unique identifier by the sending system. The receiving system will echo this ID back to the sending system in the Message Acknowledgment segment (MSA).

2760

Note on Element Length: The maximum element length for MSH-10 has been extended to 50 characters from the HL7-prescribed length of 20 characters. This extension allows sending systems to use globally unique identifiers (such as GUIDs) for Message IDs. HL7 v2.6 increased the length to 199.

2765

MSH-11 Processing ID (PT), mandatory.

This field indicates whether to process the message as defined in HL7 Application (level 7) Processing rules. Only a subset of values from HL7 Table 0103 is supported.

2770

Table W.3.4-8: Element MSH-11 Processing ID

Component/Sub-Component	Usage	Comment
processing ID (ID)	R	

Table W.3.4-9: Subset of HL7 Table 0103 – Processing ID

Value	Description	Comment
P	Production	Message processed

MSH-12 Version ID (VID), mandatory.

Accepts values starting with the character string ‘2.5’. Later minor releases such as ‘2.5.1’ are also supported. All other values will cause the message to be rejected.

2775

Table W.3.4-10: Element MSH-12 Version ID

Component/Sub-Component	Usage	Comment
Version ID (ID)	R	

2780

MSH-15 Accept Acknowledgment Type (ID), conditional.

This field identifies the conditions under which accept acknowledgements are required to be returned in response to a message. In the LAW Profile accept acknowledgements are never used and MSH-15 will contain the value “NE”. In that way, the desired behavior of the receiving application is the same as in the original acknowledgement mode.

2785

Predicate: Usage is Mandatory in the event triggered message. Otherwise usage is Not Supported.

Table W.3.4-11: Subset of HL7 Table 0155 – Accept/application acknowledgment type

Value	Description	Comment
NE	Never	Never send accept acknowledgments

2790

MSH-16 Application Acknowledgment Type (ID), conditional.

This field identifies the conditions under which application acknowledgements are required to be returned in response to a message. Application acknowledgements are always required, so MSH-16 will contain the value “AL”.

2795

Predicate: Usage is Mandatory in the event triggered message. Otherwise usage is Not Supported.

Table W.3.4-12: Subset of HL7 Table 0155 – Accept/application acknowledgment type

Value	Description	Comment
AL	Always	Application acknowledgments are always required

2800

MSH-18 Character Set (ID), mandatory.

This field contains the character set for the entire message. This profile requires the subset of values from HL7 Table 0211 listed below. Some countries, for example Japan, may explicitly extend this subset at the national level. A system implementing the LAW Profile must be able to support UNICODE UTF-8, even if some other character set is required at a national level.

2805

Table W.3.4-13: Subset of HL7 Table 0211 – Alternate character sets

Value	Description	Comment
UNICODE UTF-8	UCS Transformation Format, 8-bit form	UTF-8 is a variable-length encoding; each code value is represented by 1, 2 or 3 bytes, depending on the code value. 7 bit ASCII is a proper subset of UTF-8. Note that the code contains a space before UTF but not before and after the hyphen.

2810 Though the field is repeatable in HL7, only one occurrence (i.e., one character set) is supported for the LAW Profile. The character set specified in this field is used for the encoding of all of the characters within the message.

MSH-21 Message Profile Identifier (EI), mandatory.

2815 According to ITI TF-2x, the field contains one field repetition with a value representing the IHE transaction identifier, in the form <domain>-<transaction number>^IHE” (e.g., “LAB-27^IHE”), as shown below. Additional vendor specific identifiers may also be provided.

Table W.3.4-14: Element MSH-21 Message Profile Identifier (EI)

Component/Sub-Component	Usage	LEN	Comment
Entity Identifier (ST)	R	50	First repeat: <domain>-<transaction number> Subsequent repeat: additional IHE profile Identifiers or vendor defined
Namespace ID (IS)	R	20	First repeat: IHE Subsequent repeat: Vendor defined

W.3.4b NTE Segment

2820 HL7 v2.5.1: chapter 2 (2.15.10 NTE – notes and comments segment).

The LAW Profile limits the use of this segment to human-readable comments to exchange between the operator of the Analyzer Manager and operator of the Analyzer. All comments are considered to be an internal remark.

2825

Table W.3.4b-1: NTE Segment

SEQ	LEN	DT	Usage AM	Usage Analyzer	Card.	TBL#	ITEM#	Element name
1	4	SI	R	R	[1..1]		00096	Set ID - NTE
2	8	ID	R	R	[1..1]	0105	00097	Source of Comment

SEQ	LEN	DT	Usage AM	Usage Analyzer	Card.	TBL#	ITEM#	Element name
3	120#	FT	R	R	[1..1]		00098	Comment
4	250	CE	RE	RE.AN	[0..1]		01318	Comment Type

NTE-1 Set ID - NTE (SI), required.

This field contains the sequence number for the comments.

2830 Within the LAW Profile, the sequence number is set to ‘1’ for each first occurrence of the NTE segment within a Segment Group. All occurrences of the NTE segment that immediately follow are sequentially numbered.

NTE-2 Source of Comment (ID), required.

2835 This field contains the source of the comment, and is populated with values from HL7 Table 0105 below. The values are a subset of values defined in Table C.2-2 in PaLM TF-2x: C.2.

Table W.3.4b-2: HL7 Table 0105 – Source of Comment

Value	Description	Comment
A	Analyzer Manager is the source of the comment	
Z	Analyzer	

NTE-3 Comment (FT), required.

2840 This field contains the text of the comment. The text may be formatted.

NTE-4 Comment Type (CE), required if available (Analyzer Manager), optional (Analyzer).

This field contains the type associated with the comment. The LAW Profile considers this to be vendor-specific information. This field shall be populated as described by the table below.

2845

Table W.3.4b-3: Element NTE-4 Comment Type (CE)

Component/Sub-Component	LEN	Usage	Comment
Identifier (ST)	20	R	Vendor-defined code
Text (ST)	199	RE	Vendor-defined description
Name of Coding System (ID)	12	R	“99zzz...” identifier for a vendor-defined coding system

W.3.5 OBR Segment

HL7 v2.5.1: chapter 4 (4.5.3 OBR – Observation Request Segment).

2850 This segment is used to transmit information specific to an order for a diagnostic study or observation. The primary use of this segment is to identify the test/analysis to be run by the Analyzer on the specimen.

Table W.3.5-1: OBR Segment

SEQ	LEN	DT	Usage AM	Usage Analyzer	Card	TBL #	ITEM #	Element name
2	50 ¹	EI	M	M	[1..1]		00216	Placer Order Number (AWOS ID)
3	50 ¹	EI	X	RE.AN	[0..1]		00217	Filler Order Number
4	250	CE	M	M	[1..1]		00238	Universal Service Identifier
11	1	ID	X	LAW_REFLEX (RE/X)	[0..1]	0065	00245	Specimen Action Code
16	250	XCN	RE	X	[0..1]		00226	Ordering Provider
49	2	IS	RE	LAW_RESULT_EXT (RE/X)	[0..1]	0507	01647	Result Handling

2855 ¹The maximum field length has been extended to 50 characters from the HL7 defined length of 22, allowing globally unique identifiers (such as GUIDs).

OBR-2 Placer Order Number (EI), mandatory.

2860 Each ordered battery/test is assigned to a unique Order, identified by a unique AWOS ID. The Placer Order Number is generated by the Analyzer Manager Actor and should be unique across all OBR segments across all messages. For the Analyzer, if the AWOS ID does not exist, then this field is populated with NULL (""). This happens when sending results for:

- AWOS manually entered on the Analyzer;
 - Reflex tests scheduled by the Analyzer in a new AWOS distinct from the original AWOS. In this case the original AWOS(s) is (are) referenced as the parent AWOS in field ORC-8.
- 2865

Note on Element Length: The maximum element length for OBR-2 has been established as 50 characters to allow globally unique identifiers (such as GUIDs) for AWOS IDs.

2870

Table W.3.5-2: Element OBR-2 Placer Order Number (EI)

Component/Sub-Component	Usage	LEN	Comment
Entity Identifier (ST)	R	50	AWOS ID

OBR-3 Filler Order Number (EI), required if available from Analyzer (Analyzer).

2875 This field is the order number associated with the Analyzer. This is a permanent identifier for an order and its associated observations.

Note on Element Length: The maximum element length for OBR-3 has been established as 50 characters to allow globally unique identifiers (such as GUIDs).

2880

Table W.3.5-3: Element OBR-3 Filler Order Number (EI)

Component/Sub-Component	Usage	LEN	Comment
Entity Identifier (ST)	R	50	A unique order ID generated by the Analyzer

OBR-4 Universal Service Identifier (CE), mandatory.

2885 This field contains one ordered battery or test. A battery is composed of one or more tests or one or more batteries. A local code or standard vocabulary, as described in Section W.2.3 Order and Result Vocabularies, is required to ensure an unambiguous order.

Table W.3.5-4: Element OBR-4 Universal Service Identifier (CE)

Component/Sub-Component	Usage	LEN	Comment
Identifier (ST)	R	20	Test/Battery Identifier
Text (ST)	R	199	Name for the test/battery
Name of Coding System (ID)	R	12	Name of coding system “LN” for LOINC®, “JC10” for JLAC10, or “99zzz” for a vendor-defined coding system (where z is an alphanumeric character)

2890 **OBR-11 Specimen Action Code (ID)**, not supported (Analyzer Manager), required if available (Analyzer with LAW_REFLEX).

This field is used to identify reflex orders generated at the Analyzer when reporting results for those orders. If the Analyzer-generated order is a reflex, then OBR-11 is set to "G", meaning “Generated order, reflex order”.

See an example in Section W.2.5.3.2.

2895

OBR-16 Ordering Provider (XCN), required if available (Analyzer Manager), not supported (Analyzer).

This field identifies the provider (e.g., ordering physician) that ordered the test/battery on this sample.

2900

Table W.3.5-5: Element OBR-16 Ordering Provider (XCN)

Component/ Sub-Component Index	Component/Sub- Component	Usage	LEN	Comment
OBR-16-1	ID number (ST)	R	15	Locally defined identifier
OBR-16-2	Family Name (FN)	O		
OBR-16-2-1	Surname (FN)	O	20#	Last Name
OBR-16-3	Given Name (ST)	O	20#	First name
OBR-16-4	Second and Further Given Names or Initials Thereof (ST)	O	20#	Multiple middle names may be included by separating them with spaces
OBR-16-5	Suffix (ST)	O	10#	A name suffix
OBR-16-9	Assigning Authority (HD)	RE	227	Unique identifier of the organization that creates the data.
OBR-16-9-1	Namespace ID (IS)	RE	20	
OBR-16-9-2	Universal ID (ST)	RE	199	
OBR-16-9-3	Universal ID Type (ID)	C (R/X)	6	Predicate: Must be populated if OBR-16-9-2 is populated; otherwise is not supported.

2905

In most cases only OBR-16-1 is sufficient to identify the Ordering Provider when exchanging order information in the LAW transactions as the Analyzer Manager is responsible for managing the identity of providers and preventing identifier collisions. The additional fields in OBR-16 can be used when the Analyzer Manager is just passing along information or for those Analyzers where orders can be entered and the Ordering Provider information needs to be transmitted to the Analyzer Manager.

2910

If all three sub-components of OBR-16-9 Assigning Authority are populated, they must reference the same entity.

OBR-49 Result Handling (IS), not supported (Analyzer Manager), required if available (Analyzer with LAW_RESULT_EXT).

This field transmits information regarding the handling of the result. The value is specified in the User-Defined Table 0507.

2915

Table W.3.5-6: IHE-Lab User-Defined Table 0507 – Result Handling

Value	Description	Comment
RE	Result stored in repository	Result is persisted externally

The presence of this field with the value “RE” in an OUL^R22 indicates that the Analyzer has stored the result data in a persistent object repository, and it is accessible via the reference pointer in the subsequent OBX segment.

2920

W.3.6 OBX Segment

HL7 v2.5.1: chapter 7 (7.4.2 OBX – Observation/Result Segment).

The OBX segment is used to transmit a single observation or observation fragment.

2925

Table W.3.6-1: OBX Segment

SEQ	LEN	DT	Usage AM	Usage Analyzer	Card.	TBL#	ITEM #	Element name
1	4	SI	M	M	[1..1]		00569	Set ID – OBX
2	2	ID	C (M/X)	C (M/X)	[0..1]	0125 ¹	00570	Value Type
3	250	CE	M	M	[1..1]		00571	Observation Identifier
4	20	OG ²	RE	M	[0..1]		00572	Observation Sub-ID
5	99999	Varies	M	M	[1..*]		00573	Observation Value
6	250	CE	C (M/X)	C (M/X)	[1..1]		00574	Units
7	70	ST	RE	RE.AN	[0..1]		00575	Reference Range
8	5	CWE	M	M	[1..*]	0078	00576	Interpretation Codes
9	5	NM	X	LAW_MASS_SPEC (RE/X)	[0..1]		00577	Probability
11	1	ID	M	M	[1..1]	0085	00579	Observation Result Status
14	26	TS	RE	X	[0..1]		00582	Date/Time of the Observation
16	250	XCN	M	M	[1..*]		00584	Responsible

SEQ	LEN	DT	Usage AM	Usage Analyzer	Card.	TBL#	ITEM #	Element name
								Observer
18	427	EI	M	M	[2..*]		01479	Equipment Instance Identifier
19	14	TS	M	M	[1..1]		01480	Date/Time of the Analysis
21	427	EI	RE	RE.AN	[0..1]		02180	Observation Instance Identifier ³
29	4	ID	M	M	[1..1]	0936	03432	Observation Type ⁴

¹ The version of the table is pre-adopted from HL7 v2.8.2.

² This datatype was pre-adopted from HL7 v2.8.2.

³ This field was pre-adopted from HL7 v2.6.

⁴ This field was pre-adopted from HL7 v2.8.1.

2930

OBX-1 Set ID (SI), mandatory.

This field contains the sequence number of the observations.

Within the LAW Profile, the sequence number is set to ‘1’ for the first occurrence of the OBX segment in a segment group representing an AWOS. For example, the field is set to one in the first occurrence of the OBX segment in an instance of the ORDER segment group of the LAB-29 transaction. Subsequent occurrences of the segment within that ORDER segment group are sequentially numbered.

2935

OBX-2 Value Type (ID), conditional.

This field contains the format of the observation value in OBX-5.

Predicate: Usage is Mandatory if OBX-5 (Observation Value) is not NULL (""), otherwise, usage is Not Supported.

The profile supports the following subset of values from HL7 Table 04401.

2945

Table W.3.6-2: Subset of HL7 Table 0440¹ – Value Type

Value	Description	Comment
CE	Coded Entry	Used to report a coded qualitative result or a coded exception (reason why the test failed to produce the requested measurement)
ED	Encapsulated Data	Used to report graphs, images, etc.
EI ¹	Entity Identifier	Use for references to observation instance identifiers

Value	Description	Comment
NM	Numeric	Numeric result
NA	Numerical Array	n-dimensional set of values
RP	Reference Pointer	Reference to a location of the result, such as a reference to a large image
SN	Structured Numeric	Used when result is above or below dynamic range of the assay (> or <)
ST	String	Used to report a result in structured (e.g., XML) or unstructured text, limited to less than 200 characters so can only be used for short strings
TX	Text Data	Used to report a result in structured (e.g., XML) or unstructured text, can be used for long strings

¹ Table 0440 was pre-adopted from HL7 v2.8.2, OO CR159-793 to support the EI data type.

OBX-3 Observation Identifier (CE), mandatory.

2950 This field contains one observation reported by the Analyzer. A local code or standard vocabulary, as described in Section W.2.3 Order and Result Vocabularies, is required to ensure an unambiguous observation.

Table W.3.6-3: Element OBX-3 Observation Identifier

Component/Sub-Component	LEN	Usage	Comment
Identifier (ST)	20	R	Observation Identifier Code
Text (ST)	199	R	Observation Identifier Description
Name of Coding System (ID)	12	R	“LN” for LOINC®, “JC10” for JLAC10, or “99zzz” for a vendor-defined coding system (where z is an alphanumeric character)
Alternate Identifier (ST)	7	RE	Supplemental result code from Table W.2.3-5
Alternate Text (ST)	199	C (R/X)	Supplemental result name from Table W.2.3-5
Name of Alternate Coding System (ID)	6	C (R/X)	Fixed “IHELAW”

2955

Alternate components OBX-3-4 to OBX-3-6 shall be used only when the given OBX segment carries supplemental result information. OBX-3-4 “Alternate Identifier” is populated with an LAW supplemental result identifier associated with the vendor supplemental identification provided in OBX-3-1 to OBX-3-3. The condition for both OBX-3-5 “Alternate Text” and

2960

OBX-4 Observation Sub-ID (OG), required if available (Analyzer Manager), mandatory (Analyzer).

This field ensures results from multiple runs reported by the Analyzer can be distinctly identified. Each run is uniquely identified by a positive integer, starting from “1”.

2965

Table W.3.6-3b: Element OBX-4 Observation Sub-ID (OG : Observation Grouper)

Component/ Sub-Component	Usage	LEN	Comment
Original (ST)	R	20	Run identifier starting from "1"
Group (NM)	C(R/RE. AN) ¹	5	Group Identifier starting from "1"
Sequence (NM)	C(R/RE. AN) ¹	5	Sequence Number starting from "1"

¹ Predicate for OBX-4.2 and OBX-4.3: When a result message with multiple OBX segments uses the same observation ID (OBX-3) under the same OBR, OBX-4 is used to uniquely identify each observation. This is accomplished by use of OBX-4.2, which must be populated with an integer starting from "1". It creates a group of related OBXs. OBX-4.3 must be set with an integer starting from "1" for further differentiation. Otherwise, when supported by the Analyzer the fields may be used to further classify the OBX segments.

2970

Example:

OBR|1|ORD885||5863^Spt Routine Cult^99Lab|...

2975

ORC|SC||REQ885|CM

OBX|1|CE|76346-6^Microorganism identified in Isolate by MS.MALDI-TOF^LN|1^1^1|412643004^Beta hemolytic Streptococcus A^SCT|||0.5||F|...

OBX|2|CE|76346-6^Microorganism identified in Isolate by MS.MALDI-TOF^LN|1^1^2|3092008^Staphylococcus aureus^SCT|||0.5||F|...

2980

See Section W.2.5 Observation Identification for more details about the use of this field.

OBX-5 Observation Value (varies), mandatory.

This field contains the result value for the test result identified in OBX-3 Observation Identifier. The observation value shall be reported based on the value type specified in OBX-2.

2985

In some cases, there may not be an observation value to report. For example, some systems may only report the normalcy/abnormality using OBX-8. OBX-5 shall be set to NULL ("") if there is no value to report.

2990

One OBX segment should not contain the result of more than one logically independent observation, unless it is part of a list of like concepts that belong together. This requirement is included to assure that the contents of OBX-6-units, OBX-8-interpretation codes, and OBX-9-probability can be interpreted unambiguously. This means that all other OBX field values apply equally to the whole of OBX-5 noting that OBX-6 does not apply in the case of coded values.

It is important to state that ANY independent observation, that may require parent-child linking to additional tests, such as reflex testing, SHALL NOT be included in a single OBX-5 field using

2995 repeat delimiters, nor any list elements that require variations in the values of other OBX field values.²

In LAW repeating OBX-5 values are only allowed for supplemental results, which are for internal lab use only.

Conformance Statement:

3000 IHE-01: Cardinality of OBX-5 shall be 1..1, except when OBX-3.4 is populated with “S_RAW” or “S_OTHER”, drawn from Table W.2.3.5, then repeats are allowed.

Coded Entry (CE): The coded entry data type is used to represent coded qualitative results or exceptions. The following table defines the components of the CE data type.

3005 **Table W.3.6-4a: Element OBX-5 Observation Value (when CE data type)**

Component/Sub-Component	LEN	Usage	Comment
Identifier (ST)	20	R	Coded result
Text (ST)	199	R	The meaning of the code
Name of Coding System (ID)	12	R	Can be an analyzer-specific coding system or a national or international terminology, depending on the observation performed and of the type of result produced.

Encapsulated Data (ED): The encapsulated data type is used to for observations that are represented as images, reports, graphs, etc. For more information refer to section W.2.5.4.1. The following table defines the components of the ED data type.

3010 **Table W.3.6-4b: Element OBX-5 Observation Value (when data type is ED)**

Component/Sub-Component	LEN	Usage	Comment
Source Application (HD)	20	RE	Only the Namespace ID component is used. A unique name that identifies the system which was the source of the data.
Type of Data (ID)	9	R	A value from HL7 Table 0191. E.g., the value for image data is “IM”
Data Subtype (ID)	18	RE	A value from HL7 Table 0291. E.g., “JPEG”
Encoding (ID)	6	R	A value from HL7 Table 0299 Recommended value is “Base64”
Data (TX)	65536	R	The data representing the image or other encapsulated data being sent.

² Text excerpted from HL7 Chapter 7, Section 7.4.2.5 in version 2.8.2.

Entity Identifier (EI): The entity identifier data type is used for references to OBX-21 Observation Instance Identifier. This allows relationships to be established between two observation instances. The following table defines the components of the EI data type.

3015

Table W.3.6-4c: Element OBX-5 Observation Value (when data type is EI)

Component/Sub-Component	LEN	Usage	Comment
Entity Identifier (ST)	199	R	A unique identifier created by the assigning authority described in the following components. Specific meaning of identifier defined by each vendor.

Numeric (NM): The numeric data type is used to represent observations that include ASCII numeric characters and optionally a leading sign (+ or -) and a decimal point. If there is no sign the observation is considered positive. The following table defines the components of the NM data type.

3020

Table W.3.6-4d: Element OBX-5 Observation Value (when data type is NM)

Component/Sub-Component	LEN	Usage	Comment
Numeric	16	R	The numeric value of the observation.

Numeric Array (NA): The numeric array data type is used for observations that are represented as a series of numeric values (NM). A single repetition of this data type is used to represent a one-dimensional array. Multiple repetitions of this data type can be used to represent a two-dimensional array of values. For more details on usage of a numeric array refer to W.2.5.4.3. The following table defines the components of the NA data type.

3025

3030

Table W.3.6-4e: Element OBX-5 Observation Value (when data type is NA)

Component/Sub-Component	LEN	Usage	Comment
Value 1 (NM)	16	R	Numeric value defined by vendor
Value 2 (NM)	16	RE	Numeric value defined by vendor
...			More vendor-defined components as needed.

3035 **Reference Pointer (RP):** The reference pointer data type is used to refer to the location of an observation. This is used when the size of the observation is too large to be transmitted via this interface. E.g., a large image file. For more information refer to section W.2.5.4.1. The following table defines the components of the RP data type.

Table W.3.6-4f: Element OBX-5 Observation Value (when data type is RP)

Component/Sub-Component	LEN	Usage	Comment
Pointer (ST)	999 ¹	R	A unique key assigned by the system that is used to identify and access the data associated with the observation. E.g., the path to a file on a network drive or ftp server.
Application ID (HD)	227	O	A unique designator of the system that stores the data.
Type of Data (ID)	9	O	A value describing the general type of the observation. A value from HL7 Table 0191 or a vendor defined value. E.g., "IM" for image data.
Subtype (ID)	19	O	A value describing the specific type of the observation. E.g., "JPEG" or "PNG" or "PDF"

¹ This length was pre-adopted from HL7 v2.6.

3040 The following shows an example usage of the RP data type for reporting an observation. This shows an image observation with the first component of the data type populated with a URL pointing to a JPEG image. Component two is empty. Components three and four indicate it is an imaged encoded as a JPEG.

Example:

3045 OBX|4|RP|1A10^result
name^JC10|1|http://LIS_IMAGE_SYSTEM/filename_01.JPG^^IM^JPEG|...

3050 **Structured Numeric (SN):** The structured numeric data type is used to transmit a numerical result that is associated with symbolic qualifications. The following table defines the components of the SN data type.

Table W.3.6-4g: Element OBX-5 Observation Value (when data type is SN)

Component/Sub-Component	LEN	Usage	Comment
Comparator (ST)	2	R	One of the following: ">" or "<" or ">=" or "<=" or "=" or "<>"
Num1 (NM)	15	R	The 1 st numeric value of the

Component/Sub-Component	LEN	Usage	Comment
			structured numeric observation.
Separator/Suffix (ST)	1	RE	One of the following: “-” or “+” or “/” or “.” or “:”
Num2 (NM)	15	RE	The 2 nd numeric value of the structured numeric observation.

The following tables shows examples of usage of the SN data type for reporting observations.

3055

Table W.3.6-4h: Examples of SN Observation Values

Value	Comment
>^100	Observation is greater than 100.
^100^-^200	Observation is the range 100 through 200.
^1^:^228	Observation is the ratio of 1 to 128, e.g., the results of a serological test.

String (ST): The string data type is used for observations that are represented as structured or unstructured text data limited to 200 characters. The following table defines the components of the ST data type.

3060

Table W.3.6-4i: Element OBX-5 Observation Value (when data type is ST)

Component/Sub-Component	LEN	Usage	Comment
String Data	200	R	The string that represents the value of the observation.

Text Data (TX): The text data type is similar to the string data type except the length of the observation may be up to 65536 characters in length. The following table defines the components of the TX data type.

3065

Table W.3.6-4j: Element OBX-5 Observation Value (when data type is TX)

Component/Sub-Component	LEN	Usage	Comment
Text Data	65536	R	The observation represented as text.

3070 **OBX-6 Units (CE)**, conditional.

This field is populated with the unit of measure for the result, as described in Section W.2.2 Units of Measure.

Predicate: Usage is Mandatory if OBX-2 is valued with either with “NM” or “SN”. Otherwise usage is Not Supported. The unit of measure could be unitless, such as:

- 3075
- Count of RBC (red blood cells): represented in UCUM as “{rbc}”
 - Percentage: represented in UCUM as “%”

Table W.3.6-5: Element OBX-6 Units (CE)

Component/Sub-Component	LEN	Usage	Comment
Identifier (ST)	20	RE	UCUM coded unit of measure
Text (ST)	199	R	Vendor human-readable unit
Name of Coding System (ID)	4	C (R/X) ¹	Fixed “UCUM” (value pre-adopted from HL7 v2.6)

¹ Predicate: Name of Coding System must be populated if Identifier is populated.

3080

OBX-7 Reference Range (ST), required if available (Analyzer Manager), required if available from Analyzer (Analyzer).

For numeric values, the suggested format of reference ranges is lower limit-upper limit when both lower and upper limits are defined (e.g., 3.5 - 4.5)

3085

OBX-8 Interpretation Codes (CWE), mandatory.

The data type CWE for OBX-8 is pre-adopted from HL7 v2.7. The field contains analyzer codes assigned to the result. The field is set to NULL (“”) if no codes exist. Multiple codes can be assigned to a result, thus this field can repeat.

3090 This field is intended to convey a categorical assessment of OBX-5 Observation Value, such as "Normal", "Abnormal", “Positive”, “Negative”, etc. This field may also be used to convey an assessment of an observation where no legitimate result may be obtained. This includes laboratory assays that are rejected due to the presence of interfering substances, specimen toxicity or failure of quality control. In addition, it may also be used to convey an analysis warning, such as not enough sample volume to be confident of the result.

3095

This field is also used to convey the interpreted value (S, I, R, ...) of antibiotic susceptibility tests (AST) performed by microbiology analyzers.

3100

The LAW Profile recommends the following subset of codes from HL7 Table 0078, which is pre-adopted from HL7 v2.9. However, an Analyzer may extend the set with codes from a vendor-defined coding system.

Table W.3.6-6: Subset of HL7 Table 0078 – Interpretation Codes

Value	Description	Comment
<	Off scale low	Below assay dynamic range
>	Off scale high	Above assay dynamic range
L	Low	Below low normal
H	High	Above high normal
LL	Critically low	Below assay panic range
HH	Critically high	Above assay panic range
N	Normal	Non-numeric results
A	Abnormal	Non-numeric results
POS	Positive	
NEG	Negative	
IND	Indeterminate	
QCF	Quality control failure	
S	Susceptible	For microbiology susceptibilities only
I	Intermediate	For microbiology susceptibilities only
R	Resistant	For microbiology susceptibilities only
SDD	Susceptible-dose dependent	For microbiology susceptibilities only
IE	Insufficient evidence	For microbiology susceptibilities only

3105

The components of this field should be populated according to the following table.

Table W.3.6-7: Element OBX-8 Interpretation Codes (CWE)

Component/Sub-Component	LEN	Usage	Comment
Identifier (ST)	20	R	Code from “Value” column of Table W.3.6-6 or code from a vendor-defined coding system
Text (ST)	199	RE	Text from “Description” column of Table W.3.6-6 or vendor-defined description
Name of Coding System (ID)	12	R	“HL70078” for HL7 values or “99zzz” for a vendor-defined coding system (where z is an alphanumeric character)

OBX-9 Probability (NM), not supported (Analyzer Manager), required if available (Analyzer with LAW_MASS_SPEC).

3110 This field is the probability associated with the result. In microbiology, for example, it can be used to identify the probability of a specific organism being identified when multiple potential organisms have been matched. It is a decimal number that must be between 0 and 1, inclusive.

OBX-11 Observation Result Status (ID), mandatory.

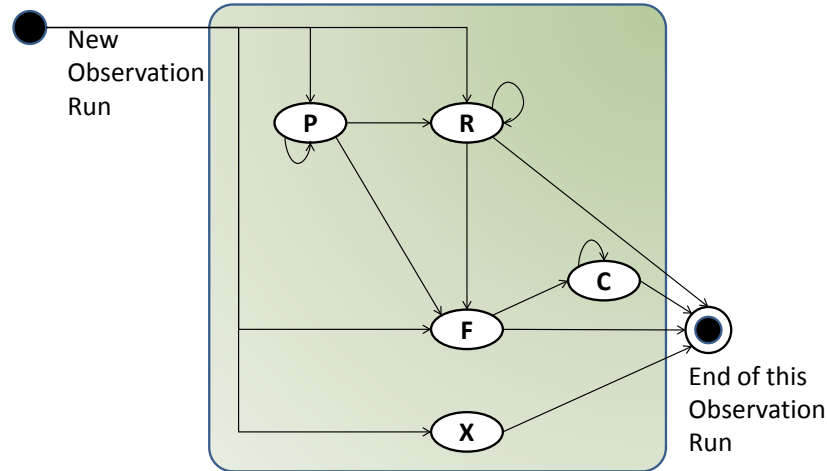
3115 This field contains the status of observation, and supports a subset of values taken from HL7 Table 0085 as described below:

Table W.3.6-8: Subset of HL7 Table 0085 – Observation Result Status (ID)

Value	HL7 Description	Meaning in the LAW Profile
X	Results cannot be obtained	Test Exception. The reason for failure is being reported in field OBX-5. This test will not produce any result in this run.
P	Preliminary results	The result is preliminary in a progression of results leading to the final result (such as the status of cultures in Microbiology).
R	Result entered – not verified	The result of this run is not a candidate to be reported upstream.
F	Final results; Can only be changed with a corrected result	The result of this run is final and a candidate to be reported upstream. In case results of multiple runs have status "F" the choice of the right run is left up to the Analyzer Manager.
C	Record coming over is a correction and thus replaces a final result	Correction of a result previously sent as final.

See Section W.2.5 Observation Identification for further details on the use of this field.

3120 Figure W.3.6-1 represents the possible state transitions for an observation result within an Observation Run.



Note: The recurring loops on statuses "P", "R" and "C" reflect the fact that a result can be revised or corrected in one of those statuses, without changing status.

3125 Note: Each Observation Run has its own life cycle for the results it produces. However, there can be no more than one Observation Run of the same Observable Entity (test) of an AWOS, producing results in status "F" or "C".

Figure W.3.6-1: Observation Result Status transition diagram for an Observation Run

OBX-14 Date/Time of the Observation (TS), required if available (Analyzer Manager), not supported (Analyzer).

3130 The relevant date-time is the specimen’s collection date-time. Time zone indicator is not supported, and is assumed to be the same as the value in MSH-7 Date/Time of Message. Degree of precision component is not supported.

Table W.3.6-9: Element OBX-14 Date/Time of the Observation (TS)

Component/Sub-Component	Usage	LEN	Comment
YYYYMMDDHHMMSS	R	14	Specimen collection date/time

3135

OBX-16 Responsible Observer (XCN), mandatory.

The first instance of this field contains the identity of the observer that causes the change of the observation result status. Subsequent repeats are vendor defined. Only the first component (ID number) of this field is necessary. If the value does not exist, then a NULL (") value will be used for the ID number.

3140

Table W.3.6-10: Element OBX-16 Responsible Observer (XCN)

Component/Sub-Component	Usage	Len	Comment
ID number (ST)	R	15	Locally defined identifier

OBX-18 Equipment Instance Identifier (EI), mandatory.

3145 This field specifies the manufacturer, model, serial number/ID, and optional UID of the analyzer that performed the test. It may also contain additional vendor or site specific identifiers. See Section W.2.2 Device Identification for more details.

Table W.3.6-11: Element OBX-18 Equipment Instance Identifier (EI)

Component/Sub-Component	Usage	LEN	Comment
Entity Identifier (ST)	R R O	50	First repeat: Model Second repeat: Serial number Subsequent repeats: Vendor/site defined
Namespace ID (IS)	R R O	20	First Repeat: Manufacturer Second Repeat: Manufacturer Subsequent repeats: Vendor/site defined
Universal ID (ST)	O X	199	First Repeat: UID Subsequent repeats: Not supported
Universal ID Type (ID)	O X	6	First Repeat: ISO Subsequent repeats: Not supported

3150

OBX-19 Date/Time of the Analysis (TS), mandatory.

This field contains the date and time the test processing completed. Time zone indicator is not supported, and is assumed to be the same as the value in MSH-7 Date/Time of Message. Degree of precision component is not supported.

3155

Table W.3.6-12: Element OBX-19 Date/Time of Analysis (TS)

Component/Sub-Component	Usage	LEN	Comment
YYYYMMDDHHMMSS	R	14	Date/time test processing completed

OBX-21 Observation Instance Identifier (EI), required if available (Analyzer Manager), required if available from Analyzer (Analyzer).

3160 This field is pre-adopted from HL7 v2.6. It contains a unique identifier for this observation. This instance identifier is persistent between messages. Since the use is marked as optional a partner agreement on how to use this field is required prior to implementation to discuss, if more than

just the EI.1 component needs to be supported. Support for EI.2 or EI.3 and EI.4 is recommended to ensure global uniqueness, unless a GUID is used in EI.1.

3165

Table W.3.6-13: Element OBX-21 Observation Instance Identifier (EI)

Component/Sub-Component	Usage	LEN	Comment
Entity Identifier (ST)	R	50	Observation Instance Identifier

Note on Element Length: The maximum element length for OBX-21 has been extended to 50 characters from the HL7 defined length of 22. This extension allows sending systems to use globally unique identifiers (such as GUIDs).

3170 **OBX-29 Observation Type (ID)**, mandatory

This field is pre-adopted from HL7 v2.8.1. It indicates the type of observation to enable systems to distinguish between observations sent along with an order, versus observations sent as the result to an order. See HL7 Table 0936 – Observation Type for valid values.

3175

Table W.3.6-14: HL7 Table 0936 - Observation Type (ID)

Value	Description	Comment
AOE	Asked at Order Entry Question	Limited to responses to questions by the Analyzer/ Analyzer Manager. Pre-adopted from HL7 v2.8.2.
ASC	Asked at Specimen Collection	Limited to responses to questions by the Analyzer/ Analyzer Manager. Pre-adopted from HL7 v2.8.2.
RSLT	Result	
SCI	Supporting Clinical Information	Observations not explicitly requested to provide context or supporting information.

W.3.7 ORC Segment

HL7 v2.5.1: chapter 4 (4.5.1 ORC – Common Order Segment).

The Common Order segment (ORC) is used to transmit elements that are common to all of the tests ordered.

3180

Table W.3.7-1: ORC Segment

SEQ	LEN	DT	Usage AM	Usage Analyzer	Card. Analyzer	TBL#	ITEM#	Element name
1	2	ID	M	M	[1..1]		00215	Order Control
2	50 ¹	EI	X	ORL^O34 (M/X)	[0..1]		00216	Placer Order Number (AWOS ID)

SEQ	LEN	DT	Usage AM	Usage Analyzer	Card. Analyzer	TBL#	ITEM#	Element name
4	50 ¹	EIP	RE	RE.AN	[0..1]		00218	Placer Group Number
5	2	ID	X	M	[1..1]		00219	Order Status
8	200	EIP	X	LAW_REFLEX (RE/X)	[0..*] ²		00222	Parent
9	26	TS	M	X	[1..1]	0038	00223	Date/Time of Transaction
21	250	XON	RE	RE.AN	[0..1]		01311	Ordering Facility Name
27	26	TS	X	RE.AN	[0..1]		01642	Filler Expected Availability Date/Time

¹The maximum field length has been extended to 50 characters from the HL7 defined length of 22, allowing globally unique identifiers (such as GUIDs).

3185 ² This usage was pre-adopted from HL7 v2.9, OO CR075-725.

ORC-1 Order Control (ID), mandatory.

This field may be considered the "trigger event" identifier for orders. The IHE PaLM Technical Framework allows only the following subset for the LAW Profile:

3190

Table W.3.7-2: Subset of HL7 Table 0119 – Order Control Codes

Value	Description	Comment
NW	New Order	Event request sent by AM in OML message of LAB-28
OK	Notification or request accepted	Event acknowledgement sent by Analyzer in ORL message of LAB-28, responding to OML (NW)
UA	Unable to accept order/service	Event acknowledgement sent by Analyzer in ORL message of LAB-28, responding to OML (NW)
CA	Cancel order/ service request	Event request sent by AM in OML message of LAB-28
CR	Canceled as requested	Event acknowledgement sent by Analyzer in ORL message responding to OML (CA), in LAB-28
UC	Unable to cancel	Event acknowledgement sent by Analyzer in ORL message responding to OML (CA), in LAB-28
DC	Discontinue Request	Sent by AM to indicate a negative query response in LAB-28
SC	Status Change	Sent by Analyzer in OUL message of LAB-29 to indicate the message is a status change

ORC-2 Placer Order Number (EI), not supported (Analyzer Manager), mandatory (Analyzer with ORL^O34).

3195 The field is used by the Analyzer to uniquely identify an AWOS when used as part of an ORL^O34 response to the Analyzer Manager.

Table W.3.7-3: Element ORC-2 Placer Order Number (EI)

Component/Sub-Component	Usage	LEN	Comment
Entity Identifier (ST)	R	50	AWOS ID

Note on Element Length: The maximum element length for ORC-2 has been established as 50 characters to allow globally unique identifiers (such as GUIDs) for AWOS IDs.

3200

ORC-4 Placer Group Number (EIP), required if available (Analyzer Manager), required if available from Analyzer (Analyzer).

Using the data type EIP for ORC-4 is pre-adopted from HL7 2.8.

3205

The Placer Group Number represents an identification of a set of closely related batteries and/or tests for one subject ordered together and for the same diagnostic purpose. For the LAW Profile, this field contains the **Work Order** identifier that groups AWOS ordered together by the Analyzer Manager and sent to one or more Analyzers. The Work Order can encompass more than one sample from the same patient. Only the Analyzer Manager establishes a Work Order identifier, so only the first identifier of the EIP data type is supported.

3210

In cases where AWOS are not grouped under a common Work Order, this field is empty.

Table W.3.7-4: Element ORC-4 Placer Group Number (EIP)

Component/Sub-Component	Usage	LEN	Comment
Placer Assigned Identifier (EI)	R		
Entity Identifier (ST)	R	50	Work Order Identifier

Note on Element Length: The maximum element length for ORC-4 has been established as 50 characters to allow globally unique identifiers (such as GUIDs).

3215

ORC-5 Order Status (ID), mandatory (Analyzer).

The Analyzer uses this field to provide the status of the AWOS. The allowed values for this field within the LAW Profile are a subset of HL7 Table 0038 - Order Status as shown below:

3220

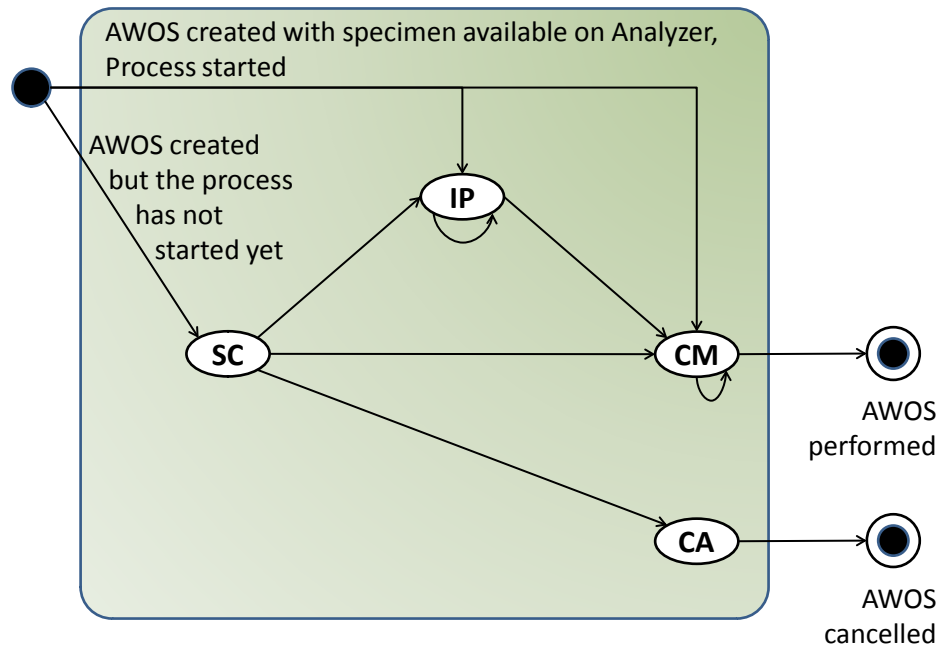
Table W.3.7-5: Subset of HL7 Table 0038 – Order Status

Value	HL7 Description (Order status)	Meaning in the LAW Profile (AWOS status)
-------	--------------------------------	--

IHE Pathology and Laboratory Medicine Technical Framework Supplement – Laboratory Analytical Workflow (LAW)

Value	HL7 Description (Order status)	Meaning in the LAW Profile (AWOS status)
SC	In process, scheduled	The AWOS is scheduled on the Analyzer, but the Analyzer has not started the work for the AWOS. This status can be sent in ORL message of LAB-28 in response to OML (NW) when the AWOS is accepted.
IP	In process, unspecified	The process of the first run of the AWOS has started on the Analyzer with the specimen. There may be some results or none. This status can be sent in ORL message of LAB-28 in response to OML (NW) when the AWOS is accepted. This status can be sent in ORL message of LAB-28 in response to OML (CA) when the AWOS cannot be cancelled because the AWOS work is in process. This status can be sent in OUL message of LAB-29 to update the AWOS Status.
CM	Order is completed	The Analyzer has finished its work for the AWOS. The results may have been produced or not. No additional result is expected for this AWOS. Nonetheless, a correction of some of the final (candidates for reporting) results produced for this AWOS may still be sent by the Analyzer, in which case the AWOS status will remain "CM". This status can be sent in ORL message of LAB-28 in response to OML (NW) when the AWOS is accepted. This status can be sent in ORL message of LAB-28 in response to OML (CA) when the AWOS cannot be cancelled because the AWOS work is complete. This status can be sent in OUL message of LAB-29 to update the AWOS Status.
CA	Order was canceled	The Analyzer considers the AWOS work cancelled. This status can be sent in ORL message of LAB-28 in response to OML (NW) when the AWOS request is rejected. An AWOS was not created by the Analyzer. This status can be sent in ORL message of LAB-28 in response to OML (CA) when the AWOS is cancelled. The Analyzer can cancel the AWOS before the process of the AWOS has started, when the AWOS status is scheduled ("SC").

3225 The following diagram depicts the lifecycle of an AWOS on the Analyzer when the AWOS request is accepted.



Note: The recurring loops on statuses "IP" and "CM" reflect the fact that new or corrected results can be sent for the AWOS, without changing its status.

3230 Note: A child AWOS (e.g., a reflex test) has its own life cycle, independent of the life cycle of the parent AWOS.

Figure W.3.7-1: AWOS Status transition diagram

ORC-8 Parent (EIP), not supported (Analyzer Manager), required if available (Analyzer with LAW_REFLEX).

3235 The field is used by the Analyzer to associate a reflex AWOS generated at the Analyzer to its parent AWOS(s) in OUL^R22 messages. Each instance of this repeatable field shall carry in its first component (Placer Assigned Identifier) the AWOS ID of a parent AWOS.

The field is made repeatable in the IHE PaLM TF by pre-adoption of this repeatability stated in HL7 V2.9.

3240

Table W.3.7-6: Element ORC-8 Parent (EIP)

Component/Sub-Component	Usage	LEN	Comment
Placer Assigned Identifier (EI)	R		
Entity Identifier (ST)	R	50	AWOS ID

Note on Element Length: The maximum element length for ORC-8 has been established as 50 characters to allow globally unique identifiers (such as GUIDs).

3245 **ORC-9 Date/Time of Transaction (TS)**, mandatory (Analyzer Manager), not supported (Analyzer).

This field contains the date and time of the event that initiated the current transaction as reflected in ORC-1 Order Control Code. This field is not equivalent to MSH-7 Date and Time of Message that reflects the date/time of the creation of the physical message.

3250 It is used by the Analyzer Manager for new orders and order cancellations in the OML^O33 message.

Time zone indicator is not supported, and is assumed to be the same as the value in MSH-7 Date/Time of Message. Degree of precision component is not supported.

3255 **Table W.3.7-7: Element ORC-9 Date/Time of Transaction (TS)**

Component/Sub-Component	Usage	LEN	Comment
YYYYMMDDHHMMSS	R	14	Date/time of initiating event

ORC-21 Ordering Facility Name (XON), required if available (Analyzer Manager), required if available from Analyzer (Analyzer).

This field contains the name of the facility placing the order.

3260

Table W.3.7-8: Element ORC-21 Ordering Facility Name (XON)

Component/Sub-Component	Usage	LEN	Comment
Organization Name (ST)	R	50#	

ORC-27 Filler’s Expected Availability Date/Time (TS), not supported (Analyzer Manager), required if available from Analyzer (Analyzer).

3265 This field specifies the date and optional time the filler expects the results to be available. Time zone indicator is not supported, and is assumed to be the same as the value in MSH-7 Date/Time of Message. Degree of precision component is not supported.

Table W.3.7-9: Element ORC-27 Filler’s Expected Availability Start Date/Time (TS)

Component/Sub-Component	Usage	LEN	Comment
YYYYMMDD[HHMMSS]	R	8/14	Date/time results are expected to be available

3270

W.3.8 PID Segment

HL7 v2.5.1: chapter 3 (3.4.2 PID – Patient Identification Segment).

This segment is only used with the LAW_PAT_DEM Profile Option (see Section W.1.3.4 Patient Demographics).

3275 The PID segment is used by all applications as the primary means of communicating patient identification information. This segment contains permanent patient identifying and demographic information that, for the most part, is not likely to change frequently.

3280 This segment allows an Analyzer to use patient demographic information for additional clinical evaluation of a test result. Only a minimal set of identifying data is specified, as it is the responsibility of the Analyzer Manager to maintain patient demographic information.

Table W.3.8-1: PID Segment

SEQ	LEN	DT	Usage AM	Usage Analyzer	Card.	TBL#	ITEM#	Element name
3	278	CX	R	R	[1..1]		00106	Patient Identifier List
5	250	XPN	R	R	[1..1]		00108	Patient Name
7	26	TS	RE	RE.AN	[0..1]		00110	Date/Time of Birth
8	1	IS	RE	RE.AN	[0..1]	0001	00111	Administrative Sex
10	250	CE	RE	RE.AN	[0..1]	0005	00113	Race
35 ¹	250	CWE	RE	RE.AN	[0..1]		01539	Taxonomic Classification Code

¹This usage was pre-adopted from HL7 v2.8.1

3285 **PID-3 Patient Identifier List (CX)**, required.

3290 For the LAW Profile, this field contains the identifier used by the Analyzer Manager to uniquely identify a patient. The field is constrained to just one identifier, because it is the responsibility of the Analyzer Manager to manage multiple identifiers used by the healthcare facility (medical record number, billing number, birth registry, etc.). The Analyzer should not receive multiple identifiers for the same patient.

3295 PaLM TF-2a:2.4.6.1 specifies the usage for CX.4 as Required. In most cases this information is not needed when exchanging patient identification information in the LAW transactions. It is the responsibility of the Analyzer Manager to manage the list of patient identifiers and not the Analyzer, and the Analyzer is not required to persist information about the Assigning Authority

Table W.3.8-2: Element PID-3 Patient Identifier List (CX)

Component/Sub-Component	Usage	LEN	Comment
ID (ST)	R	50	Locally defined
Assigning Authority (HD)	RE	227	
Namespace ID (IS)	RE	20	
Universal ID (ST)	RE	199	
Universal ID Type (ID)	C (R/X)	6	Must be populated if PID-3-4-2 is populated; otherwise is not supported

3300 If all three sub-components of PID-3-4 Assigning Authority are populated, they must reference the same entity.

Note on Element Length: The maximum element length for PID-3-1 has been extended to 50 characters from the HL7-prescribed length of 15 characters. This extension allows sending systems to use globally unique identifiers (such as GUIDs) for patient IDs.

3305 **PID-5 Patient Name (XPN)**, required.

This element contains the legal name of the patient.

ITI TF-2x:N.6 requires that XPN.7 be populated with a value. For this profile, it will be populated with the value “L” from HL7 Table 0200 – Name type, which is the code for “Legal”.

3310

Table W.3.8-3: Element PID-5 Patient Name (XPN)

Component/Sub-Component	Usage	LEN	Comment
Family Name (FN)	RE		
Surname (ST)	RE	20#	Last Name
Given Name (ST)	RE	20#	First name
Second and Further Given Names or initials Thereof (ST)	RE	20#	Multiple middle names may be included by separating them with spaces
Suffix (e.g., JR or III) (ST)	RE	10#	A name suffix
Name Type Code (ID)	R	1	Always “L”

PID-7 Date/Time of Birth (TS), required if available (Analyzer Manager), required if available from Analyzer (Analyzer).

3315 This field contains the patient’s date and optional time of birth to support neonatal patient specimens where hours/minutes is a significant criteria. Time zone indicator is not supported, and is assumed to be the same as the value in MSH-7 Date/Time of Message. Degree of precision component is not supported.

Table W.3.8-4: Element PID-7 Date/Time of Birth (TS)

Component/Sub-Component	Usage	LEN	Comment
YYYYMMDD[HHMMSS]	R	8/14	Date/time of birth

3320

PID-8 Administrative Sex (IS), required if available (Analyzer Manager), required if available from Analyzer (Analyzer).

This field contains the patient’s sex. Can be blank or contain only a value from HL7 User-defined Table 0001 (see below).

3325

Table W.3.8-5: HL7 User-defined Table 0001 – Administrative Sex

Value	Description	Comment
F	Female	
M	Male	
U	Unknown	

PID-10 Race (CE), required if available (Analyzer Manager), required if available from Analyzer (Analyzer).

3330 This field refers to the patient’s race. This value may be forbidden in some countries (e.g., France), and thus will never available in those locations. The code can be a value from HL7 User-defined Table 0005 – Race or a vendor-defined code.

Table W.3.8-6: Element PID-10 Race (CE)

Component/Sub-Component	Usage	LEN	Comment
Identifier (ST)	R	20	Value from HL7 User-defined Table 0005 or vendor-defined value
Text (ST)	RE	199	Description from HL7 User-defined Table 0005 or vendor defined description

Component/Sub-Component	Usage	LEN	Comment
Name of Coding System (ID)	R	12	Fixed “HL70005” or “99zzz” for a vendor-defined coding system (where z is an alphanumeric character)

3335

PID-35 Taxonomic Classification Code (CWE), required if available (Analyzer Manager), required if available from Analyzer (Analyzer).

3340

This field is a code representing the taxonomic classification (e.g., species and/or breed) of an organism. This may include the common or scientific name in the description component, based on the coding system(s) used. If this field is not valued, a human is assumed. The code may be drawn from the organism hierarchy in SNOMED CT® or from a vendor defined code system.

Table W.3.8-7: Element PID-35 Taxonomic Classification Code (CWE)

Component/Sub-Component	Usage	LEN	Comment
Identifier (ST)	R	20	Vendor-defined value
Text (ST)	RE	199	Description from vendor defined description
Name of Coding System (ID)	R	12	“99zzz” for a vendor-defined coding system (where z is an alphanumeric character)

3345

W.3.9 PV1 Segment

HL7 v2.5.1: chapter 3 (3.4.3 PV1 – Patient Visit Segment).

This segment is used with the LAW_PAT_DEM Profile Option (see Section W.1.3.5 Patient Demographics).

The PV1 segment is to communicate patient location information.

3350

Table W.3.9-1: PV1 Segment

SEQ	LEN	DT	Usage AM	Usage Analyzer	Card.	TBL#	ITEM#	Element name
2	1	IS	R	R	[1..1]	0004	00132	Patient Class
3	80	PL	RE	RE	[0..1]		00133	Assigned Patient Location

PV1-2 Patient Class (IS), required.

3355 This field is used by systems to categorize patients by site. The field must contain a value taken from HL7 User-defined Table 0004 Patient Class. The values defined by the standard and adopted for use by the LAW Profile are shown below.

If Patient Class information is not maintained by the Analyzer, the field should be populated with ‘N’.

Table W.3.9-2: HL7 User-defined Table 0004 – Patient Class

Value	Description	Comment
E	Emergency	
I	Inpatient	
O	Outpatient	
P	Preadmit	
R	Recurring Patient	
B	Obstetrics	
C	Commercial Account	
N	Not Applicable	Used when the value is not maintained by the Analyzer
U	Unknown	

3360

PV1-3 Assigned Patient Location (PL), required if available.

This field contains the patient’s initial assigned location or the location to which the patient is being moved. Only the second component of this field is supported.

3365

Table W.3.9-3: Element PV1-3 Assigned Patient Location (PL)

Component/Sub-Component	Usage	LEN	Comment
PV1-3-2 Room (IS)	R	16#	

W.3.10 SAC Segment

HL7 v2.5.1: chapter 13 (13.4.5 SAC – Specimen Container Detail Segment).

The SAC segment is used to describe the specimen container.

3370

Table W.3.10-1: SAC Segment

SEQ	LEN	DT	Usage AM	Usage Analyzer	Card.	TBL#	ITEM#	Element name
3	80	EI	C (M/X)	C (M/X)	[0..1]		01331	Container Identifier
4	80	EI	C (M/X)	C (M/X)	[0..1]		01332	Primary (parent) Container Identifier
9	250	CE	LAW_CONTAINER (RE/X)	X	[0..1]		0378	Carrier Type
10	80	EI	C (M/X)	RE	[0..1]		01337	Carrier Identifier
11	80	NA	C (M/X)	RE	[0..1]		01338	Position in Carrier
13	80	EI	C (M/X)	RE	[0..1]		01340	Tray Identifier
14	80	NA	C (M/X)	RE	[0..1]		01341	Position in Tray
15	250	CE	C (RE/X)	RE	[0..*]			Location
21	20	NM	LAW_CONTAINER (RE/X)	X	[0..1]		00644	Container Volume
22	20	NM	LAW_CONTAINER (RE/X)	X	[0..1]		01349	Available Specimen Volume
24	250	CE	LAW_CONTAINER (RE/X)	X	[0..1]		01351	Volume Units
29	20	SN	LAW_CONTAINER (RE/X)	X	[0..1]		01356	Dilution Factor

SAC-3 Container Identifier (EI), conditional.

3375 This field identifies the container. This field is the container's unique identifier assigned by the corresponding equipment. It is expected that the Container ID here is normally encoded as the ID (barcode, RFID) on the sample container. A container may contain the primary (original) specimen or an aliquot (secondary sample) of that specimen. The field is empty when the aliquot sample is identified by a carrier (SAC-10/11) or tray (SAC-13/14) location.

3380 When sent by the Analyzer in LAB-29 AWOS Status Update, the field must be set to NULL ("") in instances where the container identifier does not exist or is not applicable. One example is reporting a result for an order generated at the Analyzer based on a non-barcoded container. This field is set to NULL ("") and the Analyzer may identify the container by populating SAC-10/11 (carrier information) or SAC-13/14 (tray information). Another example is the creation of a reflex result from parent results associated with multiple containers. In this situation, there is no
 3385 container associated with the result.

See Section W.2.1 for more details on specimen identification.

Predicate: The usage of SAC-3 is related to SAC-4. Either SAC-3 or SAC-4 or both must be populated.

3390

Table W.3.10-2: Element SAC-3 Container Identifier (EI)

Component/Sub-Component	Usage	LEN	Comment
Entity Identifier (ST)	R	20	Container ID

SAC-4 Primary (Parent) Container Identifier (EI), conditional.

If this field is populated, then it identifies the primary container from which this specimen came. For primary samples this field is empty; for aliquot samples this field should contain the identifier of primary container.

3395

See Section W.2.1 for more details on specimen identification.

Predicate: The usage of SAC-4 is related to SAC-3. Either SAC-3 or SAC-4 or both must be populated.

3400

Table W.3.10-3: Element SAC-4 Primary (Parent) Container Identifier (EI)

Component/Sub-Component	Usage	LEN	Comment
Entity Identifier (ST)	R	20	Parent Container ID

SAC-9 Carrier Type (CE), required if available (Analyzer Manager, and Analyzer supports LAW_CONTAINER), otherwise not supported.

This field specifies the type of carrier where this container is located.

3405

Table W.3.10-4: Element SAC-9 Carrier Type (CE)

Component/Sub-Component	Usage	LEN	Comment
Identifier (ST)	R	20	Value from HL7 User-defined Table 0378
Text (ST)	RE	199	Description from HL7 User-defined Table 0378
Name of Coding System (ID)	R	7	Fixed "HL70378"

SAC-10 Carrier Identifier (EI), conditional (Analyzer Manager), required if available (Analyzer).

3410 This field specifies the rack identifier.

See Section W.2.1 for more details on specimen identification.

Analyzer Manager Predicate: The usage of SAC-10 is related to SAC-3, SAC-4 and SAC-13. If SAC-3 is not populated but SAC-4 is populated, then SAC-10 or SAC-13 must be populated.

3415 **Table W.3.10-5: Element SAC-10 Carrier Identifier (EI)**

Component/Sub-Component	Usage	LEN	Comment
Entity Identifier (ST)	R	20	Rack ID

SAC-11 Position in Carrier (NA), conditional (Analyzer Manager), required if available (Analyzer).

3420 This field identifies the position of the container in the carrier (e.g., 1...3...). The sub-components allow, if necessary, to transfer multiple axis information, e.g., 2-dimensional carrier (X~Y).

Analyzer Manager Predicate: Usage is Mandatory if SAC-10 is populated. Otherwise usage is Not Supported.

3425 **Table W.3.10-6: Element SAC-11 Position in Carrier (NA)**

Component/Sub-Component	Usage	LEN	Comment
Value1 (NM)	M	16	Position within Rack as an Integer
Value2 (NM)	O	16	
Value2 (NM)	O	16	
...	O	16	

SAC-13 Tray Identifier (EI), conditional (Analyzer Manager), required if available (Analyzer).

This field identifies the tray identifier (e.g., a number of a tray or a bar code on the tray), where the sample is located.

3430 See Section W.2.1 for more details on specimen identification.

Analyzer Manager Predicate: The usage of SAC-10 is related to SAC-3, SAC-4, and SAC-13. If SAC-3 is not populated but SAC-4 is populated, then SAC-10 or SAC-13 must be populated.

Table W.3.10-7: Element SAC-13 Tray Identifier (EI)

Component/Sub-Component	Usage	LEN	Comment
Entity Identifier (ST)	R	20	Tray ID

3435

SAC-14 Position in Tray (NA), conditional (Analyzer Manager), required if available (Analyzer).

This field identifies the position of the sample in the tray. The sub-components allow, if necessary, to transfer multiple axis information, e.g., 2-dimensional tray (X^Y).

3440 Analyzer Manager Predicate: Usage is Mandatory if SAC-13 is populated. Otherwise usage is Not Supported.

Table W.3.10-8: Element SAC-14 Position in Tray (NA)

Component/Sub-Component	Usage	LEN	Comment
Value1 (NM)	M	16	Position within tray as an Integer
Value2 (NM)	O	16	
Value2 (NM)	O	16	
...	O	16	

3445 **SAC-15 Location (CE)**, conditional (Analyzer Manager), required if available (Analyzer).

This field contains additional information about the physical location of the sample. This field must be used in combination with the physical location/position of the sample on either a carrier or a tray and is used to further clarify the location.

3450 Analyzer Manager Predicate: Usage is Required if Available if SAC-10 or SAC-13 is populated. Otherwise usage is Not Supported.

Table W.3.10-9: Element SAC-15 Location (CE)

Component/Sub-Component	Usage	LEN	Comment
Identifier (ST)	R	20	Additional location information defined by the vendor
Text (ST)	RE	199	Vendor description
Name of Coding System (ID)	R	12	Vendor-defined coding system name "99zzz" (where z is an alphanumeric character)

3455 **SAC-21 Container Volume (NM)**, required if available (Analyzer Manager, and Analyzer supports LAW_CONTAINER), otherwise not supported.

This field indicates the capacity of the container in the units specified in SAC-24 Volume Units.

SAC-22 Available Specimen Volume (NM), required if available (Analyzer Manager, and Analyzer Supports LAW_CONTAINER), otherwise not supported.

3460 This field identifies the current specimen volume available for use in this container in the units specified in SAC-24 Volume Units.

SAC-24 Volume Units (CE), required if available (Analyzer Manager, and Analyzer supports LAW_CONTAINER), otherwise not supported.

3465 This field is populated with the unit of measure for the result, as described in Section W.2.4 Units of Measure.

Table W.3.10-10: Element SAC-24 Volume Units (CE)

Component/Sub-Component	LEN	Usage	Comment
Identifier (ST)	20	RE	UCUM coded unit of measure
Text (ST)	199	R	Vendor human-readable unit
Name of Coding System (ID)	4	C (R/X) ¹	Fixed “UCUM” (value pre-adopted from HL7 v2.6)

¹ Predicate: Name of Coding System must be populated if Identifier is populated.

3470

SAC-29 Dilution Factor (SN), required if available (Analyzer Manager, and Analyzer supports LAW_CONTAINER), otherwise not supported.

This field identifies the factor of dilution already performed on the specimen. If a manual/offline dilution has been performed on the specimen prior to presenting it to the Analyzer, then this value will be populated with the dilution factor.

3475

Table W.3.10-11: Element Dilution Factor (SN)

Component/Sub-Component	Usage	LEN	Comment
Comparator (ST)	X		
Num1 (NM)	R	1	Always ‘1’
Separator/Suffix (ST)	R	1	Always ‘.’
Num2 (NM)	R	15	Positive Number (e.g., 2, 5.5)

W.3.11 SPM Segment

HL7 v2.5.1: chapter 7 (7.4.3 SPM – Specimen Segment).

3480 The SPM segment is used to describe the characteristics of a single specimen. The SPM segment relays information about the type of specimen and the date/time the specimen was received. It differs from the intent of the OBR segment in that the OBR addresses order-specific information. It differs from the SAC segment in that the SAC addresses specimen container attributes and the ID that is normally encoded on the sample container (barcode, RFID tag, etc.).

3485 In the case of an AWOS related to a single patient, the specimen role is “patient” (SPM-11 = P) and the specimen properties type, collection method, collection date, source site, source site modifier, and risk always represent the primary specimen that was collected from the patient, even in the case where the current specimen used by the AWOS is an aliquot or an isolate (a pure colony of a microorganism obtained after culture).

3490

Table W.3.11-1: SPM Segment

SEQ	LE N	DT	Usage AM	Usage Analyzer	Card.	TBL #	ITEM#	Element name
1	4	SI	M	M	[1..1]		01754	Set ID-SPM
2	80	EIP	LAW_SPECIMEN (RE/X)	LAW_SPECIMEN (RE.AN/X)	[0..1]		01755	Specimen ID
3	80	EIP	LAW_POOL_NOAN (R/X) LAW_SPECIMEN (RE/X)	LAW_SPECIMEN (RE.AN/X)	[0..*]		01756	Specimen Parent IDs
4	250	CWE	M	M	[1..1]	0487	01900	Specimen Type
7	250	CWE	LAW_SPECIMEN (RE/X)	X	[0..1]	0488	01759	Specimen Collection Method
8	250	CWE	LAW_SPECIMEN (RE/X)	X	[0..1]		01901	Specimen Source Site
9	250	CWE	LAW_SPECIMEN (RE/X)	X	[0..1]	0542	01760	Specimen Source Site Modifier
11	250	CWE	M	M	[1..1]	0369	01762	Specimen Role
13	6	NM	LAW_POOL_NOAN (R/X)	LAW_POOL_NOAN (R/X)	[0..1]		01763	Grouped Specimen Count
16	250	CWE	LAW_SPECIMEN (RE/X)	X	[0..1]	0489	01903	Specimen Risk Code

SEQ	LEN	DT	Usage AM	Usage Analyzer	Card.	TBL #	ITEM#	Element name
17	26	DR	LAW_SPECIMEN (RE/X)	X	[0..1]		01765	Specimen Collection Date/Time
18	26	TS	LAW_SPECIMEN (RE/X)	X	[0..1]		00248	Specimen Received Date/Time
27	250	CWE	LAW_SPECIMEN (RE/X)	X	[0..1]		01773	Container Type

SPM-1 Set ID (SI), mandatory.

This field contains the sequence number for the specimens.

3495 Within the LAW Profile, the sequence number is set to ‘1’ for the first occurrence of the SPM segment. All occurrences of the SPM that follow are sequentially numbered within a message.

SPM-2 Specimen ID (EIP), required if available (Analyzer Manager with LAW_SPECIMEN), required if available from Analyzer (Analyzer with LAW_SPECIMEN).

3500 This field contains the specimen identifier. It may be the enterprise-wide unique specimen identifier.

Table W.3.11-2: Element SPM-2 Specimen ID (EIP)

Component/Sub-Component	Usage	LEN	Comment
Placer Assigned Identifier (EI)	R		
Entity Identifier (ST)	R	20	
Namespace ID (IS)	C (R/RE) ¹	20	
Universal ID (ST)	C (R/RE) ¹	199	
Universal ID Type (ID)	C (R/RE) ¹	6	

3505 ¹Predicate: Either Placer Assigned Identifier.2 (Namespace ID) or both sub-components Placer Assigned Identifier.3 (Universal ID) and Placer Assigned Identifier.4 (Universal ID Type) are required. Sub-components 2, 3 and 4 may all be present.

SPM-3 Specimen Parent ID (EIP), required (Analyzer with LAW_POOL_NOAN), required if available (Analyzer Manager with LAW_SPECIMEN), required if available from Analyzer (Analyzer with LAW_SPECIMEN).

3510 This field contains the identifiers for the specimen or specimens that contributed to the specimen that is described by the segment instance.

When used with the LAW_POOL_NOAN Profile Option, this required field will contain the specimen identifiers of the specimens that were pooled.

Table W.3.11-3: Element SPM-3 Specimen Parent IDs (EIP)

Component/Sub-Component	Usage	LEN	Comment
Placer Assigned Identifier (EI)	R		
Entity Identifier (ST)	R	20	
Namespace ID (IS)	C (R/RE) ¹	20	
Universal ID (ST)	C (R/RE) ¹	199	
Universal ID Type (ID)	C (R/RE) ¹	6	

3515 ¹Predicate: Either Placer Assigned Identifier.2 (Namespace ID) or both sub-components Placer Assigned Identifier.3 (Universal ID) and Placer Assigned Identifier.4 (Universal ID Type) are required. Sub-components 2, 3 and 4 may all be present.

SPM-4 Specimen Type (CWE), mandatory.

3520 This field describes the precise nature of the entity that will be the source material for the observation. The values defined in HL7 Table 0487 – Specimen Type will be used. The Analyzer may define extensions to the table, and the Analyzer may identify a subset of specimen types that are supported.

3525 This field is populated with a value from HL7 Table 0487 – Specimen Type if the SPM-11 Specimen Role is “P” (Patient specimen) or “L” (Pooled patient specimen). This field is populated with NULL (“”) if the SPM-11 Specimen Role is “Q” (Control specimen) or “U” (Unknown specimen as part of a Negative Query Response).

3530 For some Analyzers, the AWOS performed is not impacted by the Specimen Type. The field must also be set to NULL (“”) when sent by an Analyzer if the specimen type is not applicable for the AWOS(s).

Table W.3.11-4: Element SPM-4 Specimen Type (CWE)

Component/Sub-Component	Usage	LEN	Comment
Identifier (ST)	R	20	Code from HL7 Table 0487, code from a vendor-defined coding system.
Text (ST)	RE	199	Description from HL7 Table 0487, or vendor-defined description
Name of Coding System (ID)	R	12	Fixed “HL70487” or “99zzz” for a vendor-defined coding system (where z is an alphanumeric character)

3535 **SPM-7 Specimen Collection Method (CWE),** required if available (Analyzer Manager, and Analyzer supports LAW_SPECIMEN), otherwise not supported.

This field describes the procedure or process by which the specimen was collected.

Table W.3.11-5: Element SPM-7 Specimen Collection Method (CWE)

Component/Sub-Component	Usage	LEN	Comment
Identifier (ST)	R	20	Code from HL7 Table 0488 or a vendor-defined coding system
Text (ST)	RE	199	Description of the specimen collection method
Name of Coding System (ID)	R	12	Fixed “HL70488” or “99zzz” for a vendor-defined coding system (where z is an alphanumeric character)

3540 **SPM-8 Specimen Source Site (CWE)**, required if available (Analyzer Manager, and Analyzer supports LAW_SPECIMEN), otherwise not supported.

This field specifies the source from which the specimen was obtained.

Table W.3.11-6: Element SPM-8 Specimen Source Site (CWE)

Component/Sub-Component	Usage	LEN	Comment
Identifier (ST)	R	20	Vendor-defined value
Text (ST)	RE	199	Vendor description of the specimen source site
Name of Coding System (ID)	R	12	Vendor-defined coding system name “99zzz” (where z is an alphanumeric character)

3545 **SPM-9 Specimen Source Site Modifier (CWE)**, required if available (Analyzer Manager, and Analyzer supports LAW_SPECIMEN), otherwise not supported.

This field contains modifying or qualifying description(s) about the specimen source site.

This field should be populated by the placer in microbiology, when the specimen source site modifier is known. Example: “LEFT” when the specimen has been collected from the left ear.

3550 More than one source site modifier maybe populated.

The IHE PaLM Technical Framework does not recommend a specific vocabulary. HL7 User-defined Table 0453 does not suggest any values.

Table W.3.11-7: Element SPM-9 Specimen Source Site Modifier (CWE)

Component/Sub-Component	Usage	LEN	Comment
Identifier (ST)	R	20	Vendor-defined vocabulary value
Text (ST)	RE	199	Vendor description of the specimen source site modifier
Name of Coding System (ID)	R	12	Vendor-defined coding system name “99zzz” (where z is an alphanumeric character)

3555 **SPM-11 Specimen Role (CWE)**, mandatory.

This identifies the role of the specimen to be a Patient, Pooled Patient, QC specimen, or Unknown in support of the LAW use cases and messaging constructs. However, an Analyzer may extend the set with additional codes for HL7 Table 0369 or codes from a vendor-defined coding system.

3560

Table W.3.11-8: Subset of HL7 User-defined Table 0369 – Specimen Role

Value	Description	Comment	LAB-28	LAW_POOL_NOAN
P	Patient specimen		Permitted	Excluded
Q	Control specimen		Permitted	Excluded
L	Pooled patient specimens	Specimens from multiple patients, number of pooled specimens is provided in SPM-13	Excluded	Required
U	Unknown specimen role	Unknown specimen role; used for negative query response in LAB-28; requires IHELAW for the Name of Coding System	Permitted	Excluded

Table W.3.11-9: Element SPM-11 Specimen Role (CWE)

Component/Sub-Component	Usage	LEN	Comment
Identifier (ST)	R	20	A code from the “Value” column of Table W.3.11-8 or HL70369, or a vendor-defined coding system
Text (ST)	RE	199	Text from the “Description” column of Table W.3.11-8 or HL70369, or a vendor-defined description
Name of Coding System (ID)	R	12	Fixed “HL70369” or “IHELAW” or “99zzz” for a vendor-defined coding system (where z is an alphanumeric character)

3565 **SPM-13 Grouped Specimen Count (NM)**, required (LAW_POOL_NOAN), otherwise not supported.

This field identifies the number of patient specimens that were pooled, and is only used by the LAW_POOL_NOAN Profile Option.

3570 **SPM-16 Specimen Risk Code (CWE)**, required if available (Analyzer Manager, and Analyzer supports LAW_SPECIMEN), otherwise not supported.

This field contains any known or suspected specimen hazards, e.g., exceptionally infectious agent or blood from a hepatitis patient.

3575

Table W.3.11-10: Element SPM-16 Specimen Risk Code (CWE)

Component/Sub-Component	Usage	LEN	Comment
Identifier (ST)	R	20	Risk code from HL7 Table 0489 or from a vendor-defined coding system
Text (ST)	RE	199	Description of the specimen risk code
Name of Coding System (ID)	R	12	Fixed “HL70489” or “99zzz” for a vendor-defined coding system (where z is an alphanumeric character)

SPM-17 Specimen Collection Date/Time (DR), required if available (Analyzer Manager, and Analyzer Manager supports LAW_SPECIMEN), otherwise not supported.

3580

The date and time when the specimen was acquired from the source. Only the start date/time component is supported (i.e., first component).

This element shall be reported to a precision of seconds. Time zone indicator is not supported, and is assumed to be the same as the value in MSH-7 Date/Time of Message. The degree of precision component is not supported.

3585

Table W.3.11-11: Element SPM-17 Specimen Collection Start Date/Time (DR)

Component/Sub-Component	Usage	LEN	Comment
Range Start Date/Time	R		
YYYYMMDDHHMMSS	R	14	When the specimen was collected

SPM-18 Specimen Received Date/Time (TS), required if available (Analyzer Manager, and Analyzer supports LAW_SPECIMEN), otherwise not supported.

3590

The specimen received date/time is the time that the specimen is received at the diagnostic service. The actual time that is recorded is based on how specimen receipt is managed and may correspond to the time the sample is logged in. This is fundamentally different from SPM-17 Specimen Collection Date/Time.

3595

This element shall be reported to a precision of seconds. Time zone indicator is not supported, and is assumed to be the same as the value in MSH-7 Date/Time of Message. The degree of precision component is not supported.

Table W.3.11-12: Element SPM-18 Specimen Received Start Date/Time (TS)

Component/Sub-Component	Usage	LEN	Comment
YYYYMMDDHHMMSS	R	14	When the specimen was received

3600 **SPM-27 Container Type (CWE)**, required if available (Analyzer Manager, and Analyzer supports LAW_SPECIMEN), otherwise not supported.

The container type in or on which a specimen is transported.

Table W.3.11-13: Element SPM-27 Container Type (CWE)

Component/Sub-Component	Usage	LEN	Comment
Identifier (ST)	R	20	Container type code from a vendor-defined coding system
Text (ST)	RE	199	Vendor description of the container type code
Name of Coding System (ID)	R	12	Vendor-defined coding system name “99zzz” (where z is an alphanumeric character)

3605 W.3.12 TCD Segment

HL7 v2.5.1: chapter 13 (13.4.10 TCD – Test Code Detail).

This segment is used to provide additional details about the service request or observation.

Table W.3.12-1: TCD Segment

SEQ	LEN	DT	Usage AM	Usage Analyzer	Card.	TBL #	ITEM #	Element name
1	250	CE	R	R	[1..1]		00238	Universal Service Identifier
2	20	SN	LAW_DILUTIONS (RE/X)	LAW_DILUTIONS (RE/X)	[0..1]		01420	Auto-Dilution Factor
3	20	SN	LAW_DILUTIONS (RE/X)	X	[0..1]		01421	Rerun Dilution Factor
5	20	SN	LAW_DILUTIONS (RE/X)	X	[0..1]		01413	Endogenous Content of Pre-Dilution Diluent
6	1	ID	LAW_AM_REPEAT_CONTROL (R/X)	X	[0..1]	0136	01416	Automatic Repeat Allowed

SEQ	LEN	DT	Usage AM	Usage Analyzer	Card.	TBL #	ITEM #	Element name
7	1	ID	LAW_AM_RR_CONTROL (R/X)	X	[0..1]	0136	01424	Reflex Allowed
8	250	CE	LAW_AM_RR (R/X)	X	[0..1]	0389	01525	Analyte Repeat Status
9 ¹	242	CQ	RE	X	[0..1]		xxxxx	Specimen Consumption Quantity
10 ²	16	NM	LAW_POOL_AN (R/X)	LAW_POOL_AN (R/X)	[0..1]		xxxxx	Pool Size
11 ²	250	CWE	LAW_DILUTIONS (RE/X)	LAW_DILUTIONS (RE/X)	[0..1]		xxxxx	Auto-Dilution Type

1 Preadopted from HL7 v2.9 per [OO CR157-791](#)

2 Preadopted from HL7 v2.9 per [OO CR-795](#)

3610

TCD-1 Universal Service Identifier (CE), required.

This field contains the same value as OBR-4 Universal Service Identifier when used by the Analyzer Manager in LAB-28 AWOS Broadcast. This field contains the same value as OBX-3 Observation Identifier when used by the Analyzer in LAB-29 AWOS Status Update.

3615

Table W.3.12-2: Element TCD-1 Universal Service Identifier (CE)

Component/Sub-Component	Usage	LEN	Comment
Identifier (ST)	R	20	Test/Battery Identifier
Text (ST)	R	199	Name for the test/battery
Name of Coding System (ID)	R	12	“LN” for LOINC®, “JC10” for JLAC10, or “99zzz” for a vendor-defined coding system (where z is an alphanumeric character)

3620 **TCD-2 Auto-Dilution Factor (SN), required if available (Analyzer supports LAW_DILUTIONS), otherwise not supported.**

When sent by the Analyzer Manager in LAB-28 AWOS Broadcast, this field is the value that is to be used as the factor for automatically diluting a particular specimen by an instrument for this particular test code. When sent by the Analyzer in LAB-29 AWOS Status Update, this was the dilution factor used for the test result.

3625

Table W.3.12-3: Element TCD-2 Auto-Dilution Factor (SN)

Component/Sub-Component	Usage	LEN	Comment
Comparator (ST)	X		
Num1 (NM)	R	1	Always 1
Separator/Suffix (ST)	R	1	In LAB-28: one of: “:” – dilution factor is provided in TCD-2-4 • “+” – dilution factor is to be determined by the Analyzer • “-“ – concentration factor is to be determined by the Analyzer In LAB-29: always “:”
Num2 (NM)	C (R/X)	15	Positive Number (e.g., 2, 5.5) This component is required, if TCD-2-3 “Separator/ Suffix” equals to “:”; otherwise, its usage is prohibited.

TCD-3 Rerun Dilution Factor (SN), required if available (Analyzer Manager, and Analyzer supports LAW_DILUTIONS), otherwise not supported.

3630 This field is the value that is to be used as the factor for automatically diluting a particular specimen in case of rerun for this particular test code.

Table W.3.12-4: Element TCD-3 Rerun Dilution Factor (SN)

Component/Sub-Component	Usage	LEN	Comment
Comparator (ST)	X		
Num1 (NM)	R	1	Always 1
Separator/Suffix (ST)	R	1	Always :
Num2 (NM)	R	15	Positive Number (e.g., 2, 5.5)

3635 **TCD-5 Endogenous Content of Pre-Dilution Diluent (SN)**, required if available (Analyzer Manager, and Analyzer supports LAW_DILUTIONS), otherwise not supported.

This field is to be used when the pre-dilution diluent is not biochemically neutral in the context of the test to be performed, i.e., when it does intrinsically contain the analyte and can distort the measured value in that way. The analyte concentration in the diluent shall be provided in this field and taken into account when calculating the final observation result.

3640

Table W.3.12-6: Element TCD-5 Endogenous Content of Pre-Dilution Diluent (SN)

Component/Sub-Component	Usage	Comment
Comparator (ST)	X	
Num1 (NM)	R	Always “1”
Separator/Suffix (ST)	R	Always “:”
Num2 (NM)	R	Positive Number (e.g., 2, 5.5)

3645 **TCD-6 Automatic Repeat Allowed (ID)**, required if available (Analyzer Manager, and Analyzer supports LAW_AM_RR_CONTROL), otherwise not supported.

This field identifies whether or not automatic repeats are to be initiated for this particular specimen for this particular test code. Refer to *HL7 Table 0136 -Yes/no indicator* for valid values.

3650

Table W.3.12-7: HL7 Table 0136 – Yes/no indicator

Value	Description	Comment
Y	Yes	Repeat/rerun is allowed
N	No	Repeat/rerun is not allowed

TCD-7 Reflex Allowed (ID), required if available (Analyzer Manager, and Analyzer supports LAW_AM_RR_CONTROL), otherwise not supported.

3655 This field identifies whether or not automatic or manual reflex testing is to be initiated for this particular specimen. Refer to *HL7 Table 0136 -Yes/no indicator* for valid values.

Table W.3.12-8: HL7 Table 0136 – Yes/no indicator

Value	Description	Comment
Y	Yes	Reflex is allowed
N	No	Reflex is not allowed

3660 **TCD-8 Analyte Repeat Status (CE)**, required if available (Analyzer Manager, and Analyzer supports LAW_AM_RR), otherwise not supported.

This field identifies the repeat status for the analyte/result (e.g., original, rerun, repeat, reflex). Refer to the following table for valid values.

Table W.3.12-9: HL7 Table 0389 – Analyte repeat status

Value	Description	Comment
O	Original, first run	
R	Repeated without dilution	performed usually to confirm correctness of results (e.g., in case of results flagged as "Panic" or mechanical failures)
D	Repeated with dilution	performed usually in the case the original result exceeded the measurement range (technical limits)
F	Reflex test	This test is performed as the consequence of rules triggered based on other test result(s)

3665

Table W.3.12-10: Element TCD-8 Analyte Repeat Status (CE)

Component/Sub-Component	Usage	LEN	Comment
Identifier (ST)	R	20	Analyte repeat status code from "Value" column of Table W.3.12-9
Text (ST)	R	199	Text from "Description" column of Table W.3.12-9
Name of Coding System (ID)	R	7	Fixed "HL70389"

TCD-9 Specimen Consumption Quantity (CQ), required if available (Analyzer Manager), not supported (Analyzer).

3670 This field is pre-adopted from HL7 v2.9.

This field determines how much of the specimen shall be consumed in each run of the given test; for some types of equipment, observation accuracy depends on this parameter. Quantity units from the UCUM coding system shall be used.

3675 **Table W.3.12-11: Element TCD-9 Specimen Consumption Quantity (CQ)**

Component/Sub-Component Index	Component/Sub-Component	Usage	LEN	Comment
TCD-9.1	Quantity (NM)	R	16	Specimen quantity
TCD-9.2	Quantity Units (CE)	R	225	Specimen quantity units
TCD-9.2.1	Identifier (ST)	R	20	Coded unit of measure
TCD-9.2.2	Text (ST)	O	199	Textual description
TCD-9.2.3	Name of coding system (ID)	R	4	Fixed "UCUM" (value pre-adopted from HL7 v2.6)

TCD-10 Pool Size (NM), required (LAW_POOL_AN), otherwise not supported.

This field is pre-adopted from HL7 v2.9, and is only used with LAW_POOL_AN.

Only positive integer values are allowed.

3680 In LAB-28 AWOS Broadcast (in the group OBSERVATION_REQUEST), this field defines the maximal size of the pool the given specimen may be combined into (or “1”, if pooling of the given specimen is not allowed).

3685 In LAB-28 AWOS Broadcast (in the group OBSERVATION) and LAB-29 AWOS Status Update, this field contains the actual size of the pool the given specimen has been combined into (or “1”, if the specimen was not pooled).

TCD-11 Auto-Dilution Type (CWE), required if available (Analyzer supports LAW_DILUTIONS), otherwise not supported.

3690 This field is pre-adopted from HL7 v2.9 and can be used instead of TCD-2 “Auto-Dilution Factor” or along with it. TCD-11 contains a code of the auto-dilution factor and/or the auto-dilution protocol pre-configured on the Analyzer. For example, code “D1” may mean dilution 1:20, code “D2” — 1:30, and so forth.

Table W.3.12-12: Element TCD-11 Auto-Dilution Type (CWE)

Component/ Sub-Component	Usage	LEN	Comment
Identifier (ST)	R	20	Vendor-defined auto-dilution type code
Text (ST)	O	199	Textual description
Name of coding system (ID)	R	12	Vendor-defined coding system ID “99zzz” (where z is an alphanumeric character)

3695

If both TCD-2 “Auto-Dilution Factor” and TCD-11 “Auto-Dilution Type” are populated, they shall not contradict each other.

W.3.13 TQ1 Segment

HL7 v2.5.1: chapter 4 (4.5.4 TQ1 – Timing/Quantity Segment).

3700 This segment is used to provide the priority of the service request, and is only used with the LAW_AWOS_PRIORITY Profile Option (see Section W.1.3.9 AWOS Priority).

Table W.3.13-1: TQ1 Segment

SEQ	LEN	DT	Usage AM	Usage Analyzer	Card.	TBL #	ITEM#	Element name
9	250	CWE	R	R	[1..1]	0485	01635	Priority

TQ1-9 Priority (CWE), required.

3705 This field identifies the priority of the order. The first component (i.e., Identifier) can contain a value taken from HL7 User-defined Table 0485 (see below) or from a vendor-defined code system.

Table W.3.13-2: Subset of HL7 User-defined Table 0485 – Extended Priority Codes

Value	Description	Comment
R	Routine	
S	Stat	

3710

Table W.3.13-3: Element TQ1-9 Priority (CWE)

Component/Sub-Component	Usage	LEN	Comment
Identifier (ST)	R	20	Code from “Value” column of Table W.3.13-2 or from a vendor-defined coding system
Text (ST)	RE	199	Text from “Description” column of Table W.3.13-2 or vendor-defined description
Name of Coding System (ID)	R	12	Fixed “HL70485” or “99zzz” for a vendor-defined coding system (where z is an alphanumeric character)

3.8 AWOS Status Change (LAB-23)

3715 *Delete Section 3.8 Transaction LAB-23: AWOS Status Change*

3.Q Transaction LAB-27: Query for AWOS

3720 This transaction is used between an Analyzer Manager and an Analyzer working in query mode. It enables the Analyzer Manager to issue a new AWOS to the Analyzer. This is a two-part transaction that requires two message exchanges between the Analyzer Manager and Analyzer.

3725 The Analyzer uses this transaction to get the AWOS to perform for each specimen by querying the Analyzer Manager after specimen container recognition or by querying for all AWOS to perform prior to the arrival of the specimens. The transaction provides an initial message exchange of a query for one specimen or all AWOS, and the reply that carries the acknowledgement status of the request. For a query for a single specimen, the Analyzer Manager will follow the query exchange with a second message exchange consisting of a LAB-28 AWOS Broadcast that provides the AWOS to perform or an indication there is no AWOS (Negative

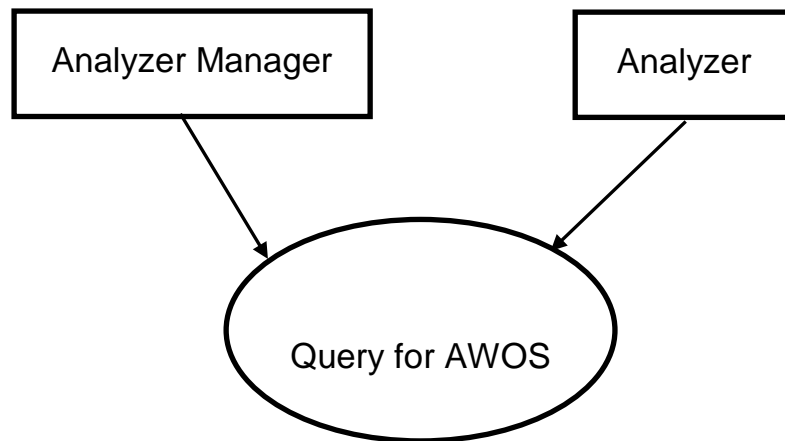
3730 Query Response) for that specimen. For a query for all work, the Analyzer Manager will follow with one or more LAB-28 AWOS Broadcast transactions containing the AWOS to perform, or a single transaction carrying the Negative Query Response.

The Analyzer can send multiple queries prior to receiving the AWOS Broadcast from the Analyzer Manager. This allows the Analyzer to send a batch of queries, or asynchronous queries, without waiting for the AWOS Broadcast of the two-part message exchange.

3.Q.1 Scope

3735 This transaction supports the use case X.2.1.2 *AWOS Query by the Analyzer for ALL specimens before specimen arrival* and the use case X.2.2 *AWOS Query by the Analyzer at specimen arrival*. It is used by the Analyzer Manager and the Analyzer in "Query Mode".

3.Q.2 Use Case Roles



3740 **Actor:** Analyzer Manager

Role: Manages the Work Orders and AWOS. Responds with LAB-28 AWOS Broadcast to the Analyzer.

Actor: Analyzer

3745 **Role:** Queries the Analyzer Manager for an AWOS related to the specimen, and receives the query acknowledgement. Waits for the LAB-28 AWOS Broadcast from the Analyzer Manager. If no LAB-28 AWOS Broadcast for the queried specimen is received by an Analyzer-specific period of time, the Analyzer may notify the user that no AWOS was received.

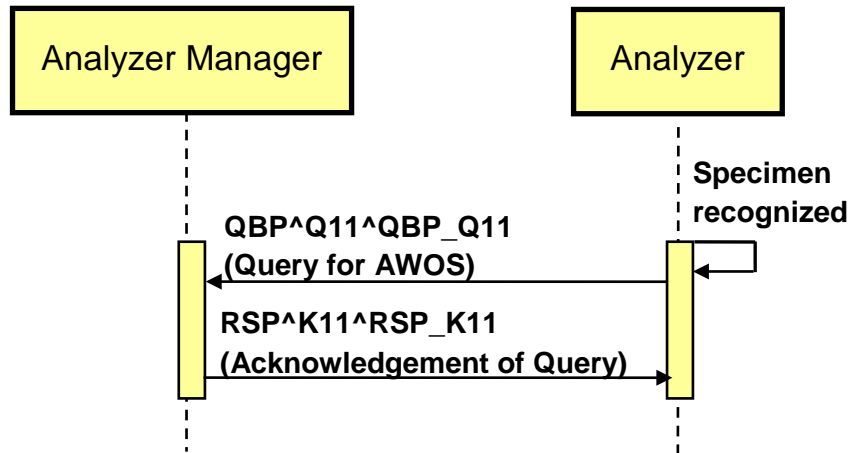
3.Q.3 Referenced Standard

HL7 v2.5.1:

- 3750
- Chapter5: "Query" → QBP and RSP messages

- Chapter5: “Query” → QPD, RCP and QAK segments

3.Q.4 Interaction Diagram



3755 3.Q.5 Message Static Definitions

After the Analyzer working in query mode recognizes one or more specimens, the Analyzer sends a “WOS Query Message” (QBP^Q11^QBP_Q11) for each specimen to the Analyzer Manager.

3760 The Analyzer Manager replies with the response message (RSP^K11^RSP_K11) containing the acknowledgement of specimen query. The Analyzer Manager will then respond with a LAB-28 AWOS Broadcast containing the work for the specimen.

3.Q.5.1 Trigger Events

QBP (Q11): Query for the AWOS sent by the Analyzer.
 RSP (K11): Response indicating the query was received.

3765 3.Q.5.2 Message Semantics

Table 3.Q.5.2-1: QBP^Q11^QBP_Q11

Segment	Meaning	Usage	Card.	HL7 chapter
MSH	Message header	M	[1..1]	2
QPD	Query Parameter Definition	M	[1..1]	5
RCP	Response Control Parameter	M	[1..1]	5

3770 MSH-9 – Message Type (MSG) shall have its components respectively valued to “QBP”, “Q11”, and “QBP_Q11”.

MSH-21 – Message Profile Identifier shall be “LAB-27^IHE”.

Table 3.Q.5.2-2: RSP^K11^RSP_K11

Segment	Meaning	Usage	Card.	HL7 chapter
MSH	Message header	M	[1..1]	2
MSA	Message Acknowledgement	M	[1..1]	2
[ERR]	Error	C (R/X) ¹	[0..*]	2
QAK	Query Acknowledgement	M	[1..1]	5
QPD	Query Parameter Definition	M	[1..1]	5

3775 ¹ Predicate: Usage is Required when MSA-2 is not equal to “AA”. There may be multiple repetitions when multiple errors have been discovered. Otherwise usage is Not Supported.

MSH-9 – Message Type (MSG) shall have its components respectively valued to “RSP”, “K11”, and “RSP_K11”.

MSH-21 – Message Profile Identifier shall be “LAB-27^IHE”.

3780 QPD shall be the same as the QPD sent in QBP^Q11^QBP_Q11. If the segments are not the same, the Analyzer may report an error to the user.

3.Q.5.3 Expected Actions

The following scenarios describe the expected actions for a query transaction.

Query for a Single Specimen

3785 When a specimen arrives on the Analyzer which supports “Query Mode”, the Analyzer sends a QBP message to the Analyzer Manager to get the AWOS. The Analyzer identifies the query by using the query name (see description for QPD-1).

The Analyzer can identify the specimen by providing one of the following:

- QPD-3 Container Identifier, and if available QPD-9 Primary Container Identifier, or
- 3790 • QPD-4 Carrier Identifier, QPD-5 Position in Carrier, and if available QPD-8 Location, or
- QPD-6 Tray Identifier, QPD-7 Position in Tray, and if available QPD-8 Location.

The following table shows how to correctly populate the QPD fields for proper specimen identification:

3795

Table 3.Q.5.3-1: Specimen Identification Examples

QPD Fields	Specimen container with barcode	Specimen container in rack ¹	Specimen in tray ²	Isolate ³
QPD-1.1 Message Query Name. Identifier	WOS	WOS_BY_RACK	WOS_BY_TRAY	WOS_BY_ISOLATE
QPD-3 Container Identifier	987654	-	-	ISO1
QPD-4 Carrier Identifier	-	12345	-	-
QPD-5 Position in Carrier	-	3	-	-
QPD-6 Tray Identifier	-	-	8523	-
QPD-7 Position in Tray	-	-	1^8	-
QPD-8 Location	-	-	A-8	-
QPD-9 Primary (parent) Container Identifier	-	-	-	987654

¹Used with option “Query by Rack”

²Used with option “Query by Tray”

³Used with option “Query by Isolate”

3800 The Analyzer Manager receives the QBP message and returns the RSP message with the query acknowledgment status. The Analyzer Manager prepares the AWOS(s) by checking the specimen identification information in the QBP message with a query, and initiates the LAB-28 AWOS Broadcast. The Analyzer receives the AWOS(s) and performs processing for the specimen.

3805 If the Analyzer Manager has no work for that specimen, it will send a Negative Query Response by setting ORC-1 to “DC” in a LAB-28 AWOS Broadcast message. See Section 3.R.5.2 and 3.R.5.3 for more details on how to populate the contents of OML^O33 and ORL^O34 for a Negative Query Response.

Query for All Pending Work

3810 A query for all pending work uses the query name “WOS_ALL” (see description of QPD-1). No container information is provided. The Analyzer Manager receives the QBP message and returns the RSP message with the query acknowledgment status. The Analyzer Manager prepares the AWOS(s) for that Analyzer and initiates the LAB-28 AWOS Broadcast. The Analyzer receives the AWOS(s) and performs processing for the specimen(s).

3815 If the Analyzer Manager has no work for Analyzer, it will send a Negative Query Response by setting ORC-1 to “DC” in a LAB-28 AWOS Broadcast message. See Section 3.R.5.2 and 3.R.5.3 for more details on how to populate the contents of OML^O33 and ORL^O34 for a Negative Query Response.

3.Q.5.4 QPD Segment

3820 HL7 v2.5.1: chapter 5 (5.5.4 QPD – Query Parameter Definition).

This segment provides the specimen information for the query.

Table 3.Q.5.4-1: QPD segment

SEQ	LEN	DT	Usage	Card.	TBL#	ITEM#	Element name
1	60	CE	M	[1..1]		01375	Message Query Name
2	32	ST	M	[1..1]		00696	Query Tag
3	80	EI	C (M/X)	[0..1]		01331	SAC-3:Container Identifier
4	80	EI	C (M/X)	[0..1]		01337	SAC-10:Carrier Identifier
5	80	NA	C (M/X)	[0..1]		01338	SAC-11:Position in Carrier
6	80	EI	C (M/X)	[0..1]		01340	SAC-13:Tray Identifier
7	80	NA	C (M/X)	[0..1]		01341	SAC-14:Position in Tray
8	250	CE	C (RE/X)	[0..1]		01342	SAC-15:Location
9	80	EI	C (M/X)	[0..1]		01332	SAC-4: Primary (parent) Container Identifier

3825 **“Query” Option**

An analyzer supporting the "Bi-directional Communication" Option SHALL be capable of sending a query identifying the container. The only fields populated in the QPD segment SHALL be QPD-1 and QPD-3.

3830 **"Query All" Option**

An analyzer supporting the "Query All" Option SHALL be capable of sending a query for all pending work by using the query name “WOS_ALL” in field QPD-1. The only fields populated in the QPD segment SHALL be QPD-1 and QPD-2.

3835 **"Query by Rack" Option**

An analyzer supporting the "Query by Rack" Option SHALL be capable of sending a query identifying the position of the specimen in the rack (carrier). The only fields populated in the QPD segment SHALL be QPD-1 and QPD-2, QPD-4, QPD-5 and QPD-8. The first four are Mandatory, the latter is Required if Available. QPD-4 identifies the rack and QPD-7 is the position in the rack.

3840

"Query by Tray" Option

An analyzer supporting the "Query by Tray" Option SHALL be capable of sending a query identifying the position of the specimen in the tray. The only fields populated in the QPD segment SHALL be QPD-1 and QPD-2, QPD-6, QPD-7 and QPD-8. The first four are

3845

Mandatory, the latter is Required if Available. QPD-6 identifies the tray and QPD-7 is the position in the tray.

"Query by Isolate" Option

3850 An analyzer supporting the "Query by Isolate" Option SHALL be capable of sending a query identifying an isolate within the primary (parent) specimen. The only fields populated in the QPD segment SHALL be QPD-1 and QPD-2, QPD-3, and QPD-9. All four are Mandatory. QPD-3 identifies the isolate and QPD-9 identifies the primary specimen from which the microorganism was isolated.

3855

QPD-1 Message Query Name (CE), mandatory.

This field contains the value of the query for either a single specimen or for all specimens. HL7 User-defined Table 0471 – Query Name defines the identifier and description values to use for each query type. The contents for each query type are described below.

3860

Table 3.Q.5.4-2: HL7 User-defined Table 0471 – Query Name

Value	Description	Comment
WOS	Work Order Step	Use to query for a single specimen when using option LAW_QUERY_WOS
WOS_ALL	Work Order Step All	Use to query for all analytical work when using option LAW_QUERY_ALL
WOS_BY_RACK	Work Order Step by Rack	Use to query for a single specimen in a specific position in a rack when using option LAW_QUERY_RACK
WOS_BY_TRAY	Work Order Step by Tray	Use to query for a single specimen in a specific position in a tray when using option LAW_QUERY_TRAY
WOS_BY_ISOLATE	Work Order Step by Isolate	Use to query for a single Isolate when using option LAW_QUERY_ISOLATE

Query for a Single Specimen

3865

Table 3.Q.5.4-3: Element QPD-1 Message Query Name (CE) for single specimen

Component/Sub-Component	Usage	LEN	Comment
Identifier (ST)	R	3	Fixed "WOS"
Text (ST)	R	15	Fixed "Work Order Step"
Name of Coding System (ID)	R	6	Fixed "IHELAW"

Query for All Work

Table 3.Q.5.4-4: Element QPD-1 Message Query Name (CE) for all work

Component/Sub-Component	Usage	LEN	Comment
Identifier (ST)	R	7	Fixed "WOS_ALL"
Text (ST)	R	19	Fixed "Work Order Step All"
Name of Coding System (ID)	R	6	Fixed "IHELAW"

3870

Query by rack

Table 3.Q.5.4-5: Element QPD-1 Message Query Name (CE) for single specimen by rack

Component/Sub-Component	Usage	LEN	Comment
Identifier (ST)	R	11	Fixed "WOS_BY_RACK"
Text (ST)	R	23	Fixed "Work Order Step by rack"
Name of Coding System (ID)	R	6	Fixed "IHELAW"

3875

Query by tray

Table 3.Q.5.4-6: Element QPD-1 Message Query Name (CE) for single specimen by tray

Component/Sub-Component	Usage	LEN	Comment
Identifier (ST)	R	11	Fixed "WOS_BY_TRAY"
Text (ST)	R	23	Fixed "Work Order Step by tray"
Name of Coding System (ID)	R	6	Fixed "IHELAW"

Query by isolate

3880

Table 3.Q.5.4-7: Element QPD-1 Message Query Name (CE) for single specimen by isolate

Component/Sub-Component	Usage	LEN	Comment
Identifier (ST)	R	14	Fixed “WOS_BY_ISOLATE”
Text (ST)	R	26	Fixed “Work Order Step by isolate”
Name of Coding System (ID)	R	6	Fixed “IHELAW”

QPD-2 Query Tag (ST), mandatory.

A unique identifier assigned to each query message instance.

3885

QPD-3 Container Identifier (EI), conditional (C(M/X)).

Used when the query is based upon the Container Identifier. It is expected that the Container Identifier is the value encoded on the specimen container.

Predicate: QPD-3 is Mandatory when QPD-1 is equal to WOS or WOS_BY_ISOLATE. Otherwise usage is Not Supported.

3890

Table 3.Q.5.4-8: Element QPD-3 Container Identifier (EI)

Component/Sub-Component	Usage	LEN	Comment
Entity Identifier (ST)	R	50	Container ID

QPD-4 Carrier Identifier (EI), conditional (C(M/X)).

3895

Used when the query is based on the location of the specimen container in a carrier. This field contains the identification of the carrier (also known as rack) that contains the specimen container.

Predicate: QPD-4 is Mandatory when QPD-1 is equal to WOS_BY_RACK. Otherwise usage is Not Supported.

3900

Table 3.Q.5.4-9: Element QPD-4 Carrier Identifier (EI)

Component/Sub-Component	Usage	LEN	Comment
Entity Identifier (ST)	R	50	Rack ID

QPD-5 Position in Carrier (NA), conditional (C(M/X)).

Used when the query is based on the location of the specimen container in a carrier. This field identifies the position of the container in the carrier (e.g., 1...3...). The sub-components allow, if necessary, to transfer multiple axis information, e.g., 2-dimensional carrier (X^Y).

3905 Predicate: QPD-5 is Mandatory when QPD-1 is equal to WOS_BY_RACK. Otherwise usage is Not Supported.

Table 3.Q.5.4-10: Element QPD-5 Position in Carrier (NA)

Component/Sub-Component	Usage	LEN	Comment
Value1 (NM)	RE	16	Position within Rack as an Integer
Value2 (NM)	O	16	
Value2 (NM)	O	16	
...	O	16	

3910 **QPD-6 Tray Identifier (EI), conditional (C(M/X)).**

Used when the query is based on the location of the specimen in a tray. This field contains the identification of the tray.

Predicate: QPD-6 is Mandatory when QPD-1 is equal to WOS_BY_TRAY. Otherwise usage is Not Supported.

3915

Table 3.Q.5.4-11: Element QPD-6 Tray Identifier (EI)

Component/Sub-Component	Usage	LEN	Comment
Entity Identifier (ST)	R	50	Tray ID

QPD-7 Position in Tray (NA), conditional (C(M/X)).

Used when the query is based on the location of the specimen in a tray. This field contains the position of the sample on the tray. The sub-components allow, if necessary, to transfer multiple axis information, e.g., 2-dimensional tray (X^Y).

3920

Predicate: QPD-7 is Mandatory when QPD-1 is equal to WOS_BY_TRAY. Otherwise Usage is Not Supported.

3925

Table 3.Q.5.4-12: Element QPD-7 Position in Tray (NA)

Component/Sub-Component	Usage	LEN	Comment
Value1 (NM)	R	16	Position within tray as an Integer
Value2 (NM)	O	16	
Value2 (NM)	O	16	
...	O	16	

QPD-8 Location (CE), conditional (C(RE/X)).

Used when the query is based on a location. This field contains additional information about the physical location of the specimen. This field must be used in combination with the physical location/position of the specimen on either a carrier or a tray and is used to further clarify the location.

3930

Predicate: QPD-8 is Required if Available when QPD-1 is equal to WOS_BY_TRAY or WOS_BY_RACK. Otherwise usage is Not Supported.

3935

Table 3.Q.5.4-13: Element QPD-8 Location (CE)

Component/Sub-Component	Usage	LEN	Comment
Identifier (ST)	R	20	Additional location information defined by the vendor
Text (ST)	O	199	Vendor description
Name of Coding System (ID)	R	12	Vendor-defined coding system name "99zzz" (where z is an alphanumeric character)

QPD-9 Primary (parent) Container Identifier (EI), conditional (C(M/X)).

Used when the query is based upon the Container Identifier and the Primary Container Identifier. This field contains the primary container from which the specimen came.

3940

Predicate: Usage is Mandatory when QPD-1 is equal to WOS_BY_ISOLATE. Otherwise usage is Not Supported.

Table 3.Q.5.4-14: Element QPD-9 Primary (Parent) Container Identifier (EI)

Component/Sub-Component	Usage	LEN	Comment
Entity Identifier (ST)	R	50	Parent Container ID

3945 **3.Q.5.5 RCP Segment**

HL7 v2.5.1: chapter 5 (5.5.6 RCP – Response Control Parameter).

This segment provides additional information about the expected query response.

Table 3.Q.5.5-1: RCP segment

SEQ	LEN	DT	Usage	Card.	TBL#	ITEM#	Element name
1	1	ID	M	[0..1]	0091	00027	Query Priority
3	60	CE	M	[0..1]	0394	01440	Response Modality

3950

RCP-1 Query Priority (ID), mandatory.

This field is always set to the value of “I” (Immediate).

RCP-3 Response Modality (CE), mandatory.

3955

Table 3.Q.5.5-2: Element RCP-3 Response Modality (CE)

Component/Sub-Component	Usage	LEN	Comment
Identifier (ST)	R	1	Fixed “R”
Text (ST)	O	9	Fixed “Real Time”
Name of Coding System (ID)	R	7	Fixed “HL70394”

3.Q.5.6 QAK Segment

HL7 v2.5.1: chapter 5 (5.5.2 QAK – Query Acknowledgment).

This segment contains information about the query response.

3960

Table 3.Q.5.6-1: QAK segment

SEQ	LEN	DT	Usage	Card.	TBL#	ITEM#	Element name
1	32	ST	M	[1..1]		00696	Query Tag
2	2	ID	M	[1..1]	0208	00708	Quantity Response Status
3	60	CE	M	[1..1]	0471	01375	Message Query Name

QAK-1 Query Tag (ST), mandatory.

This field contains “QPD-2 Query Tag” from the query message.

3965

QAK-2 Query Response Status (ID), mandatory.

This field contains one of the following codes from the HL7 Table 0208.

Table 3.Q.5.6-2: HL7 Table 0208 – Query Response Status

Value	Description	Comment
OK	Query accepted	The query has been accepted for processing
AE	Application Error	An application error occurred when processing the query request
AR	Application Reject	The application has rejected the query request

3970

QAK-3 Message Query Name (CE), mandatory.

This field contains "QPD-1 Message Query Name" from the query message.

Table 3.Q.5.6-3: Element QAK-3 Message Query name (CE)

Component/Sub-Component	Usage	LEN	Comment
Identifier (ST)	R	3/7	Contains value from QPD-1-1
Text (ST)	R	15/19	Contains value from QPD-1-2
Name of Coding System (ID)	R	6	Contains value from QPD-1-3

3975

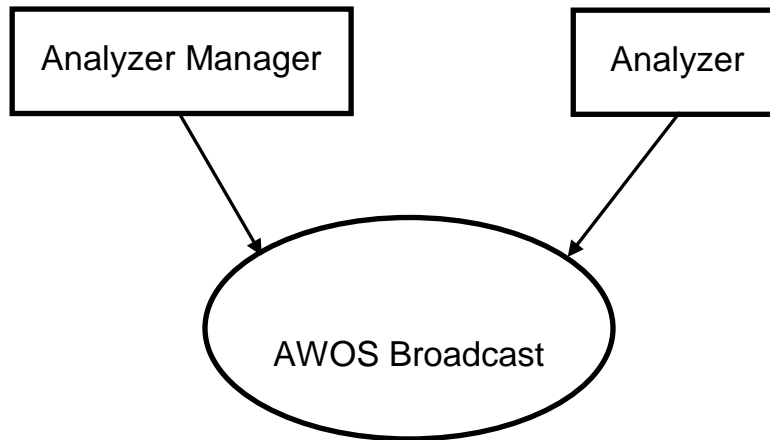
3.R Transaction LAB-28: Analytical Work Order Step Broadcast

3.R.1 Scope

This transaction is used between an Analyzer Manager and an Analyzer working in broadcast mode. It enables the Analyzer Manager to issue a new AWOS to the Analyzer or cancel an existing AWOS previously sent to the Analyzer. Modification is achieved by combining cancellation and sending of a new AWOS.

3980

3.R.2 Use Case Roles



Actor: Analyzer Manager

3985 **Role:** Translates a Work Order into a series of AWOS assigned to the Analyzers. Broadcasts an AWOS related to a specimen to the appropriate Analyzer.

Actor: Analyzer

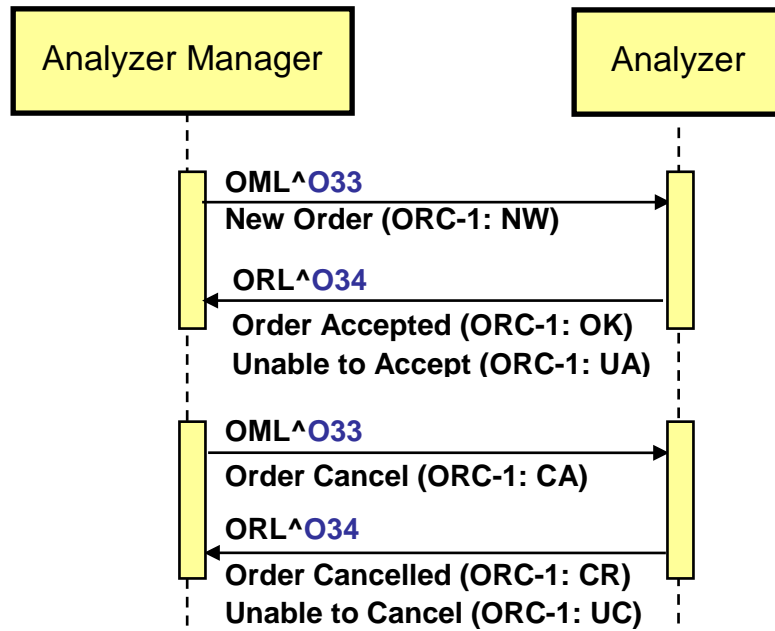
Role: Performs the AWOS on the specimen

3.R.3 Referenced Standard

3990 HL7 v2.5.1, Chapter 4 and Chapter 13

- OML^O33 and ORL^R34 message and response
- PID, PV1, SPM, SAC, ORC, TQ1, OBR, TCD, and NTE segments

3.R.4 Interaction Diagram



3995

Figure 3.R.4-1: AWOS management on Analyzer in broadcast mode

3.R.5 Message Static Definitions

This transaction contains the messages used to broadcast an Analytical Work Order Step (AWOS) from the Analyzer Manager to the Analyzer. It includes “new AWOS”, “cancel AWOS” and the related application acknowledgements.

4000

The message contains zero or more AWOSs for one or more Specimens. The AWOSs are grouped by specimen.

3.R.5.1 Trigger Events

OML (O33): AWOS sent by the Analyzer Manager.

ORL (O34): Acknowledgement sent by the Analyzer.

4005

3.R.5.2 Message Semantics

Table 3.R.5.2-1: OML^O33

Segment	Meaning	Usage	Card.	HL7 chapter
MSH	Message Header	M	[1..1]	2
[--- PATIENT begin	LAW_PAT_DEM ² (RE/X)	[0..1]	

IHE Pathology and Laboratory Medicine Technical Framework Supplement – Laboratory Analytical Workflow (LAW)

Segment	Meaning	Usage	Card.	HL7 chapter
PID	Patient Identification	R	[1..1]	3
[[NTE]]	Notes and comments (for Patient)	RE	[0..*]	2
[--- PATIENT_VISIT begin	RE	[0..1]	
PV1	Patient Visit	R	[1..1]	3
]	--- PATIENT_VISIT end			
]	--- PATIENT end			
{	--- SPECIMEN begin	R	[1..*]	
SPM	Specimen	M	[1..1]	7
[[NTE]]	Notes and comments (for Specimen) ¹	RE	[0..*]	2
[[--- SPECIMEN_CONTAINER begin ¹	M	[1..1]	
SAC	Specimen Container	M	[1..1]	13
[[NTE]]	Notes and comments (for Container) ¹	RE	[0..*]	2
]]	--- SPECIMEN_CONTAINER end ¹			
{	--- ORDER begin	M	[1..*]	
ORC	Common Order (for one battery)	M	[1..1]	4
[[NTE]]	Notes and comments (for Common Order) ¹	RE	[0..*]	2
[[--- TIMING begin	LAW_AWOS_PRIORITY: (RE/X)	[0..1]	
TQ1	Timing Quantity	R	[1..1]	4
]]	--- TIMING end			
[--- OBSERVATION REQUEST begin	Negative Query Response ³ : (X/RE)	[0..1]	
OBR	Observation Request	M	[1..1]	4
[TCD]	Test Code Details	LAW_DILUTIONS, LAW_REFLEX, LAW_RERUN, LAW_AM_RR, LAW_AM_RR_CONTROL, LAW_POOL_AN: (R/RE)	[0..1]	13
[[NTE]]	Notes and comments (for Observation Request)	RE	[0..*]	2
[[--- OBSERVATION begin	LAW_REL_OBS: (RE/X)	[0..*]	
OBX	Observation/Result	R	[1..1]	7
[TCD]	Test Code Details	RE	[0..1]	13
[[NTE]]	Notes and comments (for Observation Result)	RE	[0..*]	2
]]	--- OBSERVATION end			
]	--- OBSERVATION REQUEST end			
}	--- ORDER end			

Segment	Meaning	Usage	Card.	HL7 chapter
}	--- SPECIMEN end			

¹ Pre-adopted from HL7 v2.9, as proposed in [HL7 OO CR135-755](#)

4010 ² Option LAW_PAT_DEM cannot be used combination with LAW_POOL_NOAN

³ Sent in response to LAB-27 Query (see Section W.1.3.2)

MSH-9 Message Type (MSG) shall have its three components respectively valued to “OML”, “O33” and “OML_O33”.

4015 MSH-21 Message Profile Identifier shall be populated with at minimum with one occurrence of “LAB-28^IHE”.

SPM-11 Specimen Role (CWE) in SPM segment shall be coded “Q” (Control specimen) in the case of a QC AWOS, “P” (Patient) in the case of a patient AWOS, “L” (Pooled patient specimens) in the case of a pooled patient samples AWOS, and “U” (Unknown”) in the case of a Negative Query Response.

4020

The ORDER segment group carries the Analyzer Manager request for a new AWOS, request to cancel an AWOS, or reply of a Negative Query Response.

To request that the Analyzer perform an AWOS, ORC-1 Order Control is set to “NW”. The TQ1 segment can be used to carry additional information about the request. The OBR segment of the OBSERVATION REQUEST group contains the request details (OBR-2 AWOS ID, OBR-4 Universal Service Identifier, etc.). The TCD segment can be used to provide additional information about the order, such as dilution information. The TCD segment should only be sent if additional order information is populated (need for fields between TCD-2 and TCD-11), and should not be sent if the only field populated is TCD-1 Universal Service Identifier.

4025

4030 When ordering replicates, each of the replicates is sent in a separate ORDER segment group as a unique AWOS.

When requesting an AWOS, the Analyzer Manager may use the OBSERVATION segment group to provide the Analyzer with results or a variety of clinically relevant information that is obtained during the ordering or specimen collection process. The OBX segments of the OBSERVATION segment group are to be used for information specifically observed/measured as part of the ordering process (including specimen collection).

4035

Segment PV1, which is the first segment of the segment group PRIOR RESULT, is mandatory. The presence of this segment at this point in the message structure announces unambiguously a set of prior orders with related prior observations. The segment PV1 represents the patient visit (or encounter) during which these prior observations were produced. The only field mandatory in the segment PV1 is PV1-2 “Patient Class” (as shown in Section W.3.9 PV1 Segment). The sender of this message SHALL set the value the field PV1-2 to “U”, which stands for “patient class unknown”.

4040

4045 OBX-14 of the OBX segment contained in the OBSERVATION segment group can be used to provide the collection date/time associated with the related results. OBX-29 is mandatory and identifies if the OBX segment contains a result, supporting clinical information, answer to a question asked at specimen collection time, or answer to an order entry question.

4050 To request that an Analyzer cancel an AWOS, ORC-1 Order Control is set to “CA”. The OBR segment of the OBSERVATION REQUEST group contains details (OBR-2 AWOS ID and OBR-4 Universal Service Identifier).

4055 To indicate there is no work to perform (Negative Query Response) for a LAB-27 Query for AWOS, only the MSH, SPM, SAC, and ORC segments will be sent. For the SPM segment, the SPM-4 Specimen Type will be set to NULL (“”) and SPM-11 Specimen Role will be set to “U” (Unknown). When the message is a Negative Query Response to a *Query for a Single Specimen*, the SAC segment will be populated based on the values of the QPD-3 to QPD-9 values from the query, which were used to identify the specimen. SAC-3 will be set to QPD-3, SAC-4 to QPD-9, SAC-10 to QPD-4, SAC-11 to QPD-5, SAC-13 to QPD-6, SAC-14 to QPD-7, and SAC-15 to QPD-8. When the message is a Negative Query Response to a *Query For All Work*, SAC-3 will be set to NULL (“”). For all Negative Query Responses, ORC-1 Order Control will be set to “DC” (Discontinue Request) and ORC-9 Date/Time of Transaction will be set to the current date/time. The OBSERVATION REQUEST group will not be present.

4065 Repeatable NTE segments after PID, SPM, SAC, ORC, OBR, and OBX can be used to provide human-readable notes and comments to patient, specimens, specimen containers, orders, observation requests, and observation results, respectively. Some of these NTE segments are pre-adopted from HL7 v2.9. For comments generated at the Analyzer Manager, NTE-2 shall be populated with “A” (for Analyzer Manager) as specified by PaLM TF-2x:C2. The contents of NTE-3 shall not be considered interpretable by a machine.

Table 3.R.5.2-2: ORL^O34¹

Segment	Meaning	Usage	Card.	HL7 chapter
MSH	Message header	M	[1..1]	2
MSA	Message Acknowledgement	M	[1..1]	2
[[ERR]]	Error	C (R/X) ²	[0..*]	2
[--- RESPONSE begin	C (X/RE) ³	[0..1]	
[--- PATIENT begin	LAW_PAT_DEM ⁴ : (RE/X)	[0..1]	
PID	Patient Identification	R	[1..1]	3
]	--- PATIENT end			
{	--- SPECIMEN begin	M	[1..*]	
SPM	Specimen	M	[1..1]	7
[[SAC]]	Specimen Container	M	[1..1]	13
[[--- ORDER begin	M	[1..*]	

Segment	Meaning	Usage	Card.	HL7 chapter
ORC	Common Order	M	[1..1]	4
}}	--- ORDER end			
}	--- SPECIMEN end			
]	--- RESPONSE end			

4070

¹ The ORL message structure in use here (ORL_O42) is pre-adopted from HL7 v2.8.1

² Usage is Required when MSA-2 is not equal to "AA". There may be multiple repetitions when multiple errors have been discovered. Otherwise usage is Not Supported.

4075

³ Predicate: Usage is Not Supported if the ERR segment is present. Otherwise, Usage is Required if Available. The RESPONSE group should not be present when the acknowledgement is a response to a Negative Query Response. It should be present when the acknowledgement is for an AWOS request or an AWOS cancel.

⁴ Option LAW_PAT_DEM cannot be used in combination with LAW_POOL_NOAN

4080

MSH-9 Message Type (MSG) shall have its Message Code (MSH-9.1) and Trigger Event (MSH-9.2) components respectively valued to "ORL" and "O34". The Message Structure component (MSH-9.3) shall be valued to "ORL_O42".

MSH-21 Message Profile Identifier shall be populated with "LAB-28^IHE".

ORC-2 Placer Order Number will be used to uniquely identify the AWOS to the Analyzer Manager when the RESPONSE segment group is included.

4085

The RESPONSE segment group will be used by the Analyzer to inform the Analyzer Manager about the intent to perform an individual AWOS contained in the OML message:

- For accepted AWOS
 - the ORC-1 Order Control should have value OK and
 - the ORC-5 Order Status should have value SC, IP, or CM.
- For rejected AWOS
 - the ORC-1 Order Control should have value UA and
 - the ORC-5 Order Status should have value CA.

4090

The RESPONSE segment group will be used by the Analyzer to respond to a cancellation request from the Analyzer Manager for each AWOS contained in the OML message:

4095

- In case of successful cancellation
 - the ORC-1 Order Control should have value CR and
 - the ORC-5 Order Status should have value CA.
- In case of not being able to cancel
 - the ORC-1 Order Control should have value UC and
 - the ORC-5 Order Status should have value IP or CM .

4100 **3.R.5.3 Expected Actions**

The Analyzer Manager sends the OML^O33 message to the Analyzer. The Analyzer Manager may send AWOS for multiple specimens in the same OML^O33.

4105 If the OML message contains the Order Control Code “NW”, the Analyzer will receive and register the new AWOS information. As part of the ORL^O34 response, it will transmit either “Notification or request accepted” or “Unable to accept order/service” for each AWOS contained in the OML message. See the ORC-1/ORC-5 discussion above for further details.

4110 If the OML message contains the Order Control Code “CA”, the Analyzer will evaluate the cancel request. As part of the ORL^O34 response, the Analyzer will transmit either “Cancel as requested” or “Unable to cancel” for each AWOS contained in the OML message. See the ORC-1/ORC-5 discussion above for further details.

4115 If the Analyzer Manager retransmits an AWOS or reuses an AWOS ID, the Analyzer will reject the AWOS request by responding with “Unable to accept order/service”. The rejection is for this specific request only, and has no influence on the original request. For example, if an AWOS is retransmitted, the Analyzer is rejecting the duplicate request but not the original request. See the ORC-1/ORC-5 discussion above for further details.

When the Analyzer Manager sends the OML^O33 in response to a LAB-27 Query for AWOS, the Analyzer will require that the OML^O33 be received in an Analyzer-specific period of time. If the time period elapses, the Analyzer will assume that the query has failed and may notify the user that no response was received.

4120 When the OML^O33 is sent in response to a LAB-27 Query for AWOS for a single specimen, it will only contain the AWOSs or Negative Query Response related to that specimen.

If the OML message contains the Order Control Code “DC”, the Analyzer will evaluate the Negative Query Response. The Analyzer will respond only with the MSH and MSA segments in the ORL^O34 to acknowledge receipt of the Negative Query Response.

4125 A Negative Query Response for an unrecognized specimen is considered an unexpected situation. An unrecognized Negative Query Response might be received because:

- the response was received after the query time-out period elapsed
- the Analyzer Manager erroneously retransmitted the response and the Analyzer is no longer tracking a query for that specimen
- 4130 • the Analyzer Manager erroneously sent the response to the Analyzer

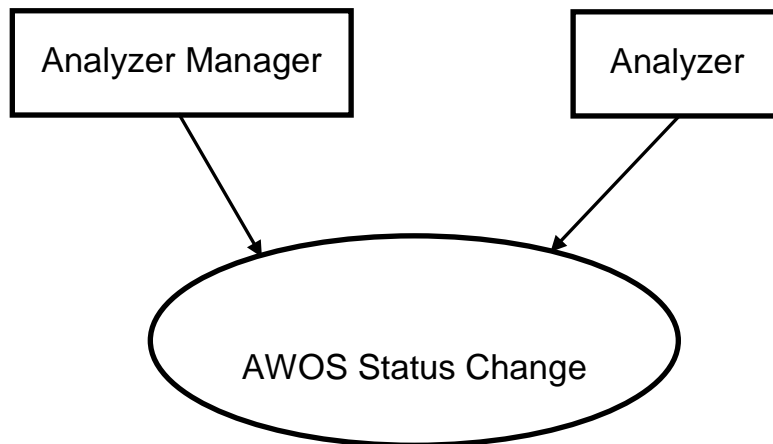
In this situation, the Analyzer will respond with an **Application Acknowledgement: Reject** in the ORL^O34 by setting MSA-1 to “AR” and reporting the appropriate specimen container values in the ERR segment.

3.Y Transaction LAB-29: AWOS Status Change

4135 **3.Y.1 Scope**

This transaction is used by the Analyzer to send test results to the Analyzer Manager.

3.Y.2 Use Case Roles



Actor: Analyzer Manager

4140 **Role:** Manages Analyzer in order to implement the AWOS. Receives the test results from Analyzer, performs technical validation, then sends the validated results to Order filler

Actor: Analyzer

Role: Analyzes the specimen and outputs the test results.

3.Y.3 Referenced Standard

4145 HL7 v 2.5.1 Chapter 7 and Chapter 13.

- OUL^R22 message
- PID, PV1, SPM, OBX, SAC, INV, OBR, ORD, TCD, SID, and NTE Segments

4150 **3.Y.4 Interaction Diagram**

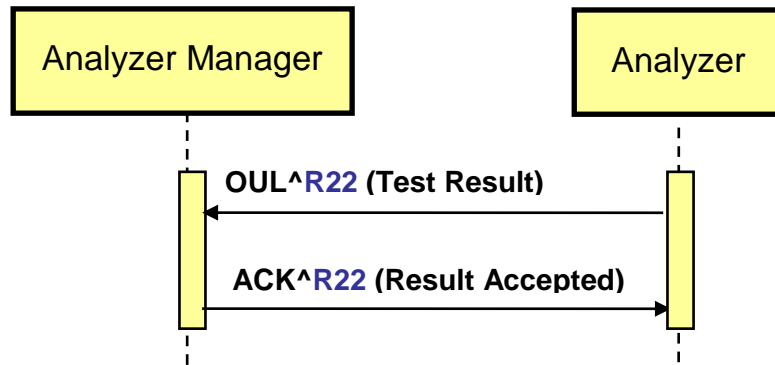


Figure 3.Y.4-1: AWOS Status Change

3.Y.5 Message Static Definitions

4155 This transaction contains the messages used by the Analyzer to send the tests results when the AWOS is complete. It also includes the related application acknowledgements from the Analyzer Manager.

The message contains zero or more observations for one or more AWOSs for one or more specimens. The observations are grouped by AWOS, and the AWOSs are grouped by specimen.

4160 **3.Y.5.1 Trigger Events**

Analyzer sends test results. Analyzer Manager returns acknowledgement.

3.Y.5.2 Message Semantics

Table 3.Y.5.2-1: OUL^R22

Segment	Meaning	Usage	Card.	HL7 chapter
MSH	Message header	M	[1..1]	2
[-- PATIENT begin	LAW_PAT_DEM ¹ : (RE/X)	[0..1]	
[PID]	Patient Identification	R	[1..1]	3
[[NTE]]	Notes and comments (for Patient)	RE.AN	[0..*]	2
]	-- PATIENT end			
[-- VISIT begin	LAW_PAT_DEM ¹ : (RE/X)	[0..1]	
[PV1]	Patient Visit	R	[1..1]	3

IHE Pathology and Laboratory Medicine Technical Framework Supplement – Laboratory Analytical Workflow (LAW)

Segment	Meaning	Usage	Card.	HL7 chapter
]	-- VISIT end			
{	--- SPECIMEN begin	M	[1..*]	
SPM	Specimen information	M	[1..1]	7
[[OBX]]	Observation Result (for Specimen)	RE.AN	[0..*]	7
[[--- CONTAINER begin	M	[1..1]	
SAC	Container information	M	[1..1]	13
[INV]	Detailed Substance information (e.g., id, lot, manufacturer, ... of QC specimen)	LAW_CONTRIB_SUB: (C (R/X) ² /X)	[0..1]	13
]]	--- CONTAINER end			
{	--- ORDER begin	M	[1..*]	
OBR	Observation Order	M	[1..1]	7
[ORC]	Common Order	M	[1..1]	4
[[NTE]]	Notes and comments (for Order)	RE.AN	[0..*]	2
[[TIMING_QTY begin	LAW_AWOS_PRIORITY: (R/X)	[0..1]	
TQ1	Timing Quantity	R	[1..1]	4
]]	TIMING_QTY end			
[[--- RESULT begin	C(M/X) ³	[0..*]	
OBX	Observation Result	M	[1..1]	7
[TCD]	Test Code Detail	LAW_DILUTIONS, LAW_PRIORITY, LAW_POOL_AN: (R/ X)	[0..1]	13
[[INV]] ⁴	Detailed Substance information (e.g., reagents used for testing)	LAW_CONTRIB_SUB: (RE/X)	[0..*]	13
[[NTE]]	Notes and comments	RE.AN	[0..*]	2
]]	--- RESULT end			
}	--- ORDER end			
}	--- SPECIMEN end			

4165

¹ Option LAW_PAT_DEM cannot be used in combination with LAW_POOL_NOAN

² Predicate: Usage is Required when SPM-11 is "Q". Otherwise usage is Not Supported.

³ Predicate: Usage is Mandatory if field ORC-5 "Order Status" of the above ORC segment is valued with "IP" or "CM". Otherwise usage is Not Supported.

⁴ Usage of the INV segment is pre-adopted from HL7 v2.9, as proposed by HL7 CR-115-735.

4170

The message shall be used to send the observation results for one or more specimens. If the patient is known, then all results/specimens must be for one patient. Each specimen is in one container and there may be one or more observation results for each container.

4175 MSH-9 Message Type (MSG) shall have its three components respectively valued to "OUL", "R22", and "OUL_R22".

MSH-21 Message Profile Identifier shall be populated with at minimum with one occurrence of "LAB-29^IHE".

The PATIENT and VISIT segments groups are optional and may be used to provide patient information.

4180 The SPECIMEN group is mandatory and shall be used to provide specimen and specimen container information.

SPM-11 Specimen Role (CWE) shall be coded "Q" (Control specimen) in the case of a QC AWOS, "P" (Patient) in the case of a patient AWOS, and "L" (Pooled patient specimens) in the case of a pooled patient specimen AWOS.

4185 The optional OBX segment in the SPECIMEN group may be used to document the condition of the specimen.

The CONTAINER segment group is mandatory and shall be used to provide the specimen container information.

4190 Either SAC Container Identifier or SAC-4 Primary Container Identifier shall be provided. If SAC-3 Container Identifier and SAC-4 Primary Container Identifier are not known or applicable, then SAC-3 shall be populated with NULL (""). The Analyzer may populate the remaining fields of the SAC segment with additional container information, such as carrier information in SAC-10/11.

4195 The INV segment usage in the CONTAINER segment group is conditional. When SPM-11 is set to the value of "Q", INV may be populated with details about the control material. Otherwise the usage is not supported.

The ORDER group is mandatory and shall be used to provide order information.

The OBR segment is mandatory and shall be used to transmit information about the requested test.

- 4200
- OBR-2 Placer Order Number shall contain the AWOS ID for orders transmitted to the Analyzer by the Analyzer Manager. For orders created at the Analyzer, the field shall contain the NULL ("") value.
 - The optional OBR-3 Filler Order Number may be used by the Analyzer to provide a unique identifier for the observation.
- 4205
- OBR-4 Universal Service Identifier shall contain the identifier for the test that was ordered.
-

- The optional OBR-16 Ordering Provider and OBR-17 Order Callback Phone Number fields may be populated to provide additional information about the order.

4210 The ORC segment is mandatory and shall be used to transmit information about the status of the order.

- ORC-1 Order Control shall be populated with the code "SC".
- ORC-2 Placer Order Number is not populated because OBR-2 Placer Order Number is used to carry the AWOS ID.
- ORC-5 Order Status is populated with the status of the order to indicate if all observations have been completed by the Analyzer for the AWOS.
- ORC-8 Parent is used to send the parent AWOS ID(s) for a reflex test initiated by the Analyzer. See Section W.2.6 Reflex Initiated at the Analyzer for more details.

4215

The TQ1 segment is optional and may be used to report the priority status of the order.

4220

The RESULT segment group contains the observation results for the AWOS represented by the above (OBR, ORC) pair.

The OBX segment will be used to carry the observation results and supporting clinical information.

- OBX-3 will be used to identify the observation and OBX-4 will be used to identify each observation run. See Section W.2.5 Observation Identification for more details.
- OBX-29 identifies if the OBX segment contains a result, supporting clinical information, answer to a question asked at specimen collection time, or answer to an order entry question. The Analyzer Manager may discard segments that are not identified as results.
- The other OBX fields are used to convey information about the observation result. See Section W.3.6 OBX Segment for more details.

4225

4230 The optional TCD segment may be used to provide dilution information. The Analyzer Manager shall reject the message if the value of TCD-1 does not match the value of OBX-3.

The optional INV segment for this group may be used to provide details about contributing substances used to produce the result.

4235

The optional NTE segments following the PID, ORC, and OBX segments may be used to provide human-readable notes and comments about the patient, order, and result respectively. The NTE segments after the PID and ORC segments may be notes that have been received from the Analyzer Manager during order download or they may be notes and comments entered at an Analyzer that supports order entry. For comments generated at the Analyzer, NTE-2 shall be populated with "Z" (for Analyzer) as specified by PaLM TF-2x:C.2. The contents of NTE-3 shall not be considered interpretable by a machine.

4240

Table 3.Y.5.2-2: ACK^R22

Segment	Meaning	Usage	Card.	HL7 chapter
MSH	Message header	M	[1..1]	2
MSA	Message Acknowledgement	M	[1..1]	2
[[ERR]]	Error	C (R/X) ¹	[0..*]	2

¹ Predicate: Usage is Required when MSA-2 is not equal to "AA". There may be multiple repetitions when multiple errors have been discovered. Otherwise usage is Not Supported.

4245 MSH-9 Message Type (MSG) shall have its three components respectively valued to "ACK", "R22" and "ACK".

MSH-21 Message Profile Identifier shall be populated at minimum with one occurrence of "LAB-29^IHE".

3.Y.5.3 Expected Actions

4250 The Analyzer notifies the Analyzer Manager of the test results using the OUL^R22 message. The Analyzer Manager accepts and registers information, and responds to the Analyzer with the ACK^R22 message.

The Analyzer Manager shall correlate all observations with a known AWOS ID to the originating Work Order.

4255 The Analyzer Manager shall use OBX-3 and OBX-4 to uniquely identify each **Observation Result, Supplemental Result**, and run. See Section W.2.5 Observation Identification for more details.

4260 The Analyzer Manager shall accept unsolicited observations, which are indicated by OBR-2 Placer Order Number populated with a NULL ("") value. It is up to the Analyzer Manager to evaluate the observation and associate it with an existing AWOS, create a new AWOS for a Work Order, or ask the operator to manually link the observation to an AWOS.

Volume 2x – Appendices

Appendix C – Common HL7 Message Segments for IHE PaLM TF

C.2 NTE – Notes and Comment Segment

4265 *Table C.2-2: Modify the meaning for the value “A” to “Automation Manager or Analyzer Manager is the source of the comment.”*

Add new entry in Table C.2.2:

Value: Z

Meaning: Analyzer

4270

~~The IHE Laboratory Technical Framework limits the use of this segment to only one purpose: To comment the observations and the orders. Therefore, in the messages of this Integration Profile, NTE segments appear only below OBR or OBX segments.~~

4275 ~~Information that can be coded in OBX segments or OBR segments shall not be sent in a NTE segment.~~

NTE segments shall be used exclusively for comments and notes intended for humans. Contents of NTE-3 shall be considered as not interpretable by a machine.